

## *MOSFET BASED DC SOLID-STATE RELAY*

- ▶ Latest MOSFET technology generation.
- ▶ Ultra low on-state resistance.
- ▶ Low output leakage current.
- ▶ Low control current consumption.
- ▶ Built-in overvoltage protection
- ▶ Reverse protected triggered control input to avoid linear control risks
- ▶ No radiated or conducted disturbances
- ▶ Touch protected housing IP20

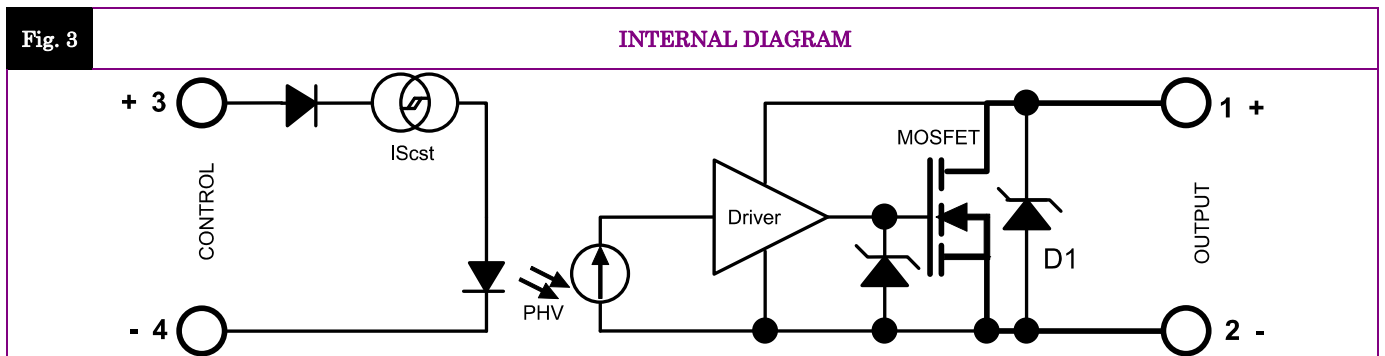
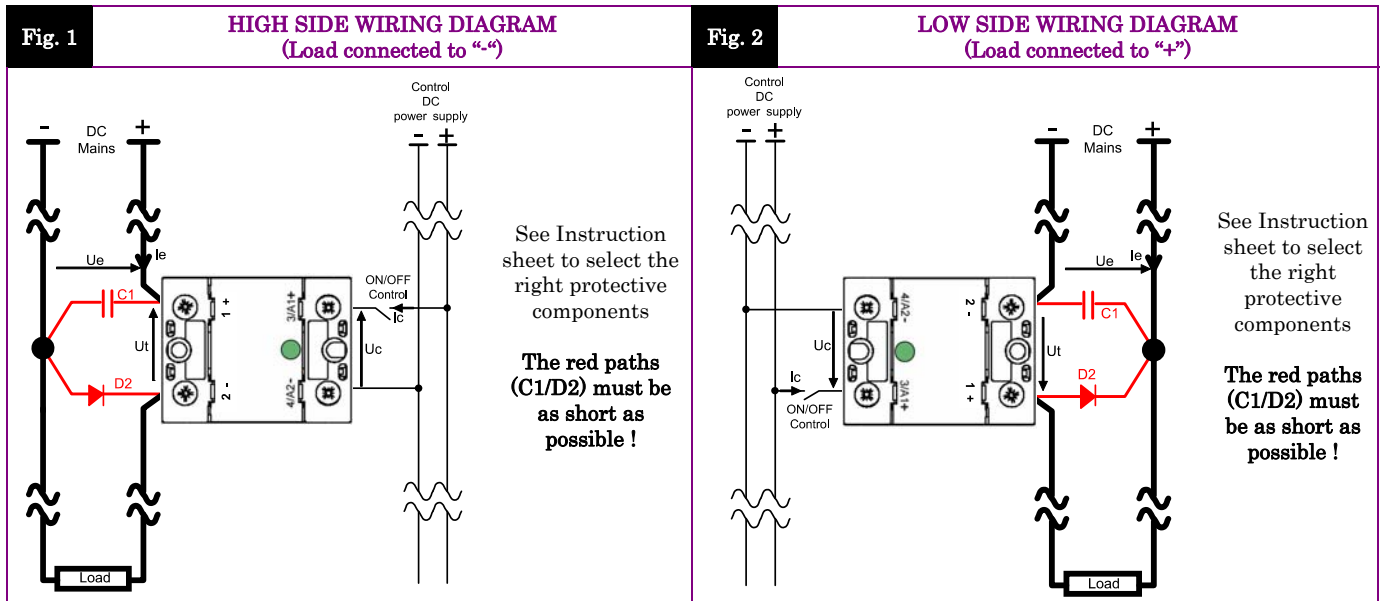


### SOM02060



Control voltage range	3.5-32VDC
Max. permanent output voltage	40VDC
Max. load current with heatsink	20ADC

Load voltage range	Load current range	Control input voltage range	In & case / Out Insulation	Connections	Dimensions (WxHxD)	Weight
5-40VDC	Up to 20A (with heatsink)	3.5-32VDC	2.5kV	Screw terminals	45 x 58.5 x 30	80g



*Proud to serve you*

**CONTROL INPUT CHARACTERISTICS**

INPUT CIRCUIT	CHARACTERISTIC	LABEL	VALUE	INFO.
	Nom. Control voltage	<b>Ucnom</b>	12-24VDC	
	Min. Control current	<b>Icmin</b>	35mADC	-100µA/°C
	Control voltage range	<b>Uc</b>	3.5 – 32VDC	typical ON=3.3V
	Control current consumption	<b>Ic</b>	32 – 35mADC (for control voltage range)	<b>See fig. 5</b>
	Releasing control voltage	<b>Ucoffmax</b>	1VDC	typical OFF= 2.6V
	Max. reverse control voltage	<b>-Ucmax</b>	32VDC	-Icmax<100µA
	Input impedance	<b>Rin</b>	Current limitation	<b>See fig. 5</b>

**POWER OUTPUT CHARACTERISTICS**

POWER CIRCUIT	CHARACTERISTIC	LABEL	VALUE	INFO.
	Nominal voltage	<b>Uenom</b>	<b>24VDC</b>	
	Voltage range	<b>Ut</b>   <b>Ue</b>	<b>5-40VDC</b>	
	Non-repetitive peak voltage	<b>Utp</b>	60V	
	Overvoltage protection	<b>D1</b>	Transient voltage suppressor 39V (1500W/1ms)	
	Max reverse voltage drop (internal diode at OFF state)	<b>-Ut</b>	1.5V	@Ie=55A @Uc=0
	Maximum nominal currents	<b>Ie max</b>	<b>Resistive</b> 20A	<b>Motor</b> Please contact us
	Non-repetitive peak overload current	<b>Id max</b>	200A	<b>See fig. 8</b>
	Min. load current	<b>Iemin</b>	5mA	
	Max. leakage current	<b>Ielk max</b>	3mA	@Utmax @Tjmax
	Max. on-state resistance	<b>RDson</b>	36mΩ	@Iemax @Tjmax
	Typ. output capacitance	<b>Cout</b>	0.3nF	
	Junction/case thermal resistance per power element	<b>Rthjc</b>	1.8K/W	
	Built-in heatsink thermal resistance vertically mounted	<b>Rthra</b>	10K/W	@ΔTra=75°C
	Heatsink thermal time constant	<b>Tthra</b>	10 minutes	@ΔTra=40°C
	Control inputs/power outputs insulation voltage	<b>Uimp</b>	2.5kV	
	Inputs/case insulation voltage	<b>Uimp</b>	2.5kV	
	Outputs/case insulation voltage	<b>Uimp</b>	2.5kV	
	Isolation resistance	<b>Rio</b>	1GΩ	
	Isolation capacitance	<b>Cio</b>	<8pF	
	Maximum junction temperature	<b>Tjmax</b>	175°C	
	Storage ambient temperature	<b>Tstg</b>	-40->+100°C	
	Operating ambient temperature	<b>Tamb</b>	-25->+90°C	<b>See fig. 7</b>
	Max. case temperature	<b>Tc</b>	100°C	

**PROTECTION CHARACTERISTICS**

PROTECTION	Leakage current (Ielk) vs DC voltage (Ut)	Absolute limits

**Uto < Utp**

$$t_{max} = \frac{0.75}{(U_{to} - U_{tmax}) \times I_e}$$

$$P_{(protection)} = 1W_{max}$$

$$\Rightarrow \frac{(U_{to} - U_{tmax}) \times I_e \times t}{T} \leq 1$$

**Ielk** : Leakage current of the relay  
**Ie** : User load nominal current  
**Utp** : Relay max. non repetitive peak voltage

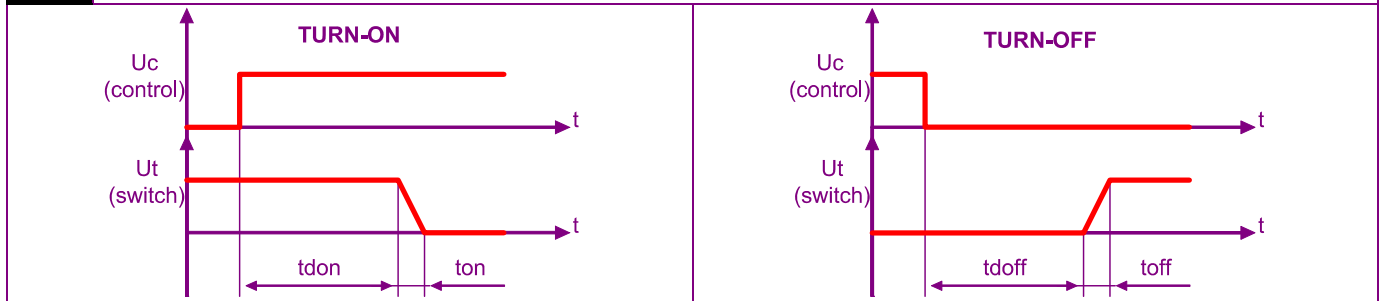
**Utmax** : Max. nominal voltage of the relay  
**Uto** : Possible overvoltage above Utmax  
**Utn = Ue** : User DC power supply voltage

**t** : Overvoltage duration  
**T** : Time between 2 overvoltage

**TIME CHARACTERISTICS**

Fig. 4

TIME DIAGRAM



TIME CHARACTERISTIC	CHARACTERISTIC	LABEL	VALUE	INFO.
	Turn on time	<b>ton</b>	20µs	
	Turn on delay	<b>tdon</b>	20µs	
	Turn off time	<b>toff</b>	20µs	
	Turn off delay	<b>tdoff</b>	20µs	
Max. On-Off frequency	<b>F<sub>(on-off)</sub></b>	>1000Hz (for high frequency, take 2 x I <sub>e</sub> to calculate the heatsink; the protections must be chosen carefully)	Refer to the instruction sheet	

**GENERAL INFORMATION**

MISC.	Display		Green LED (indicates relay has switched ON)	
	Housing		UL94V0	
	Mounting		2 screws (M4x12mm ; tightening = 1.2N.m)	See mounting sheet
	Noise level		None	
	Weight		80g	

**STANDARDS**

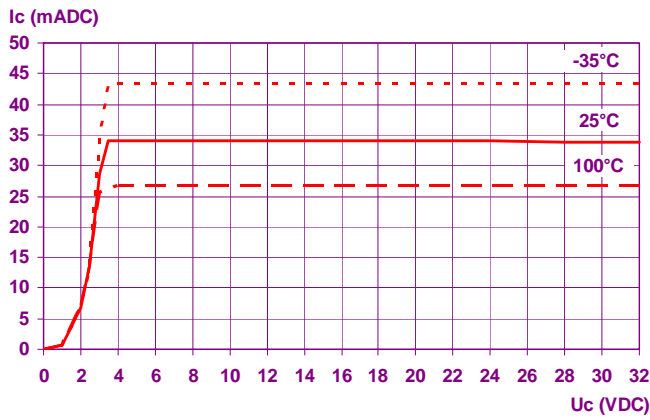
GENERAL	Standards		IEC60947-1	
	Protection level		IP20	
	Protection against direct touch		Yes	
	CE marking		Yes	
	UL, cULUS		Yes	

E.M.C. IMMUNITY	TYPE OF TEST	STANDARD	LEVEL	EFFECT
	Fast transients bursts	EN61000-4-4	4kV criterion B	
	Electric chocks	EN61000-4-5	1kV criterion B	
	Voltage drop	EN61000-4-11	-	

**CHARACTERISTIC CURVES**

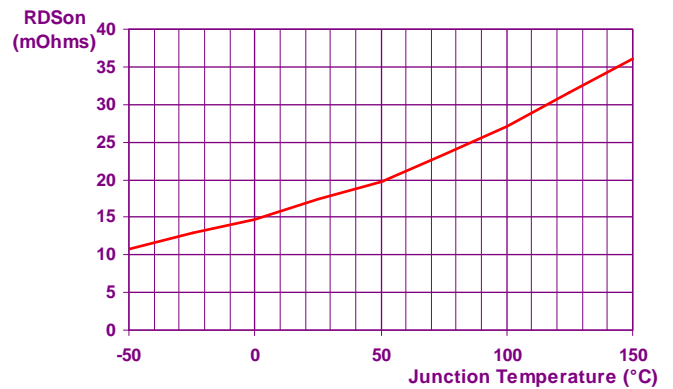
**Fig. 5**

**INPUT CHARACTERISTIC**



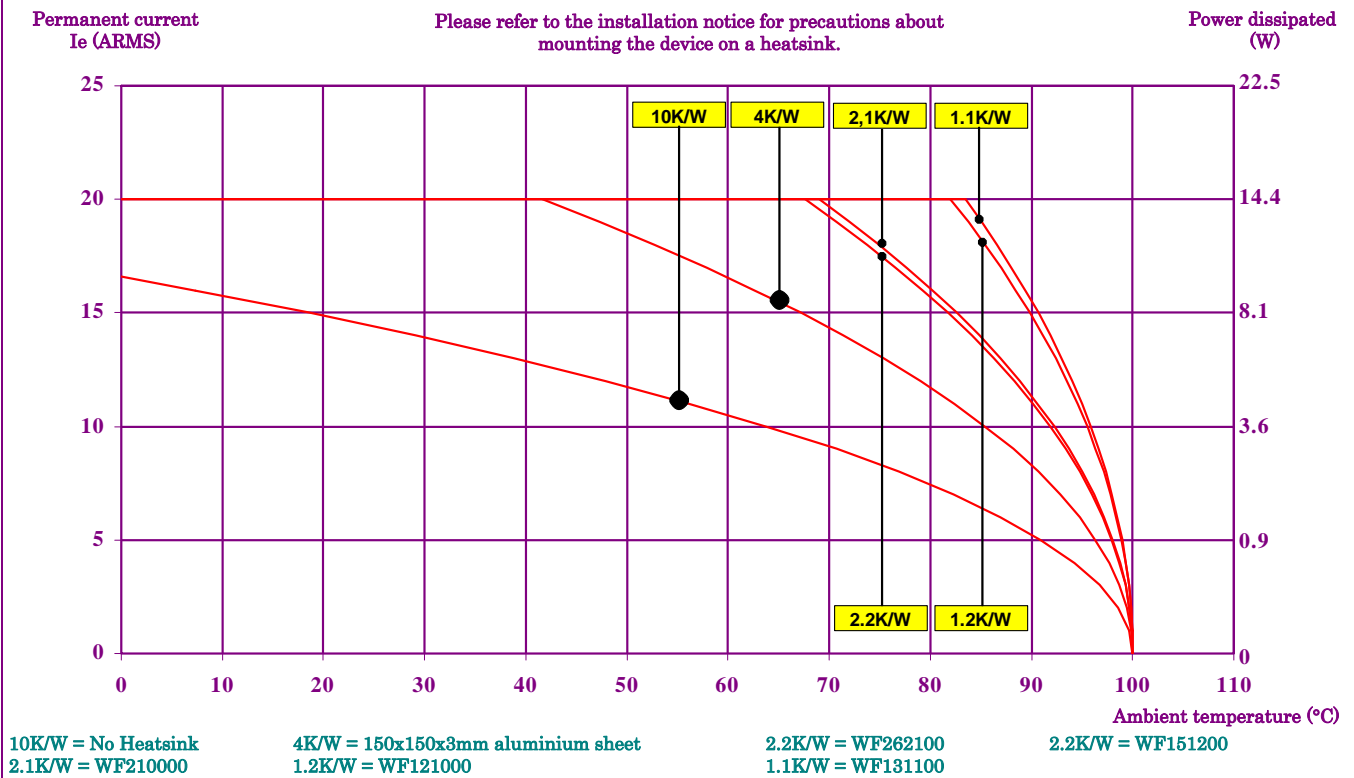
**Fig. 6**

**ON RESISTANCE VS JUNCTION TEMPERATURE**



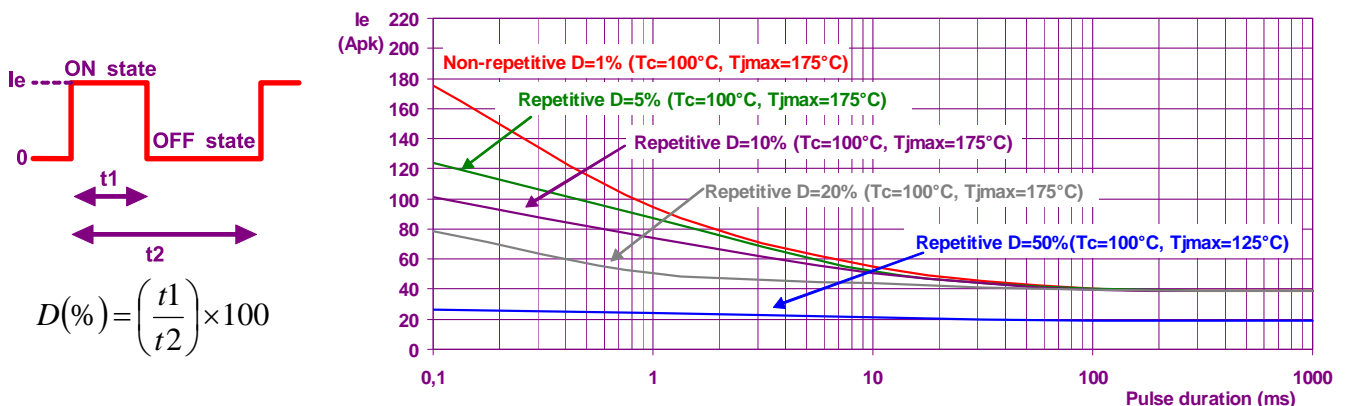
**Fig. 7**

**POWER DISSIPATED AND LOAD CURRENT LIMIT VS TEMPERATURE**



**Fig. 8**

**PEAK OVERLOAD CURRENT vs. PULSE DURATION CHARACTERISTIC**



**CONNECTIONS**

*Direct connection with wires with or without ferrules*



*With ring terminals*

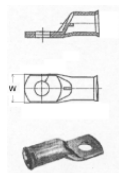


okpac <sup>®</sup>				Control wiring	
Number of wires				Screwdriver type	Recommended tightening torque M4 screw
1		2			
SOLID (No ferrule)	FINE STRANDED (With ferrule)	SOLID (No ferrule)	FINE STRANDED (With ferrule)		N.m
0,75 ... 2,5 mm <sup>2</sup> AWG18...AWG14	0,75 ... 2,5 mm <sup>2</sup> AWG18...AWG14	0,75 ... 2,5 mm <sup>2</sup> AWG18...AWG14	0,75 ... 2,5 mm <sup>2</sup> AWG18...AWG14	POZIDRIV 2	Mini 1,2 / Typ 1.5 / Max 2

okpac <sup>®</sup>				Power wiring	
Number of wires				Modèle de tournevis / Screwdriver type	Recommended tightening torque M5 screw
1		2			
SOLID (No ferrule)	FINE STRANDED (With ferrule)	SOLID (No ferrule)	FINE STRANDED (With ferrule)		N.m
1,5 ... 10 mm <sup>2</sup> AWG16...AWG8	1,5 ... 6 mm <sup>2</sup> AWG16...AWG10	1,5 ... 10 mm <sup>2</sup> AWG16...AWG8	1,5 ... 6 mm <sup>2</sup> AWG16...AWG10	POZIDRIV 2	Mini 2 / Typ 2.4 / Max 3

Power with ring terminals.

- W max = 12.0mm
- 16 mm<sup>2</sup> (AWG6)
- 25 mm<sup>2</sup> (AWG4)
- 35mm<sup>2</sup> (AWG2 / AWG3)
- 50mm<sup>2</sup> (AWG0 / AWG1)



Suitable ring terminals and special kit for high current can be delivered: see high power SSR and data-sheet for power connection.

IP20 flaps

Flaps are delivered mounted on the relay.

Labels  
Marking labels are available, for mounting on flaps.  
Part number : 1MZ09000 (delivered per 200 parts)

FASTONS : Consult us

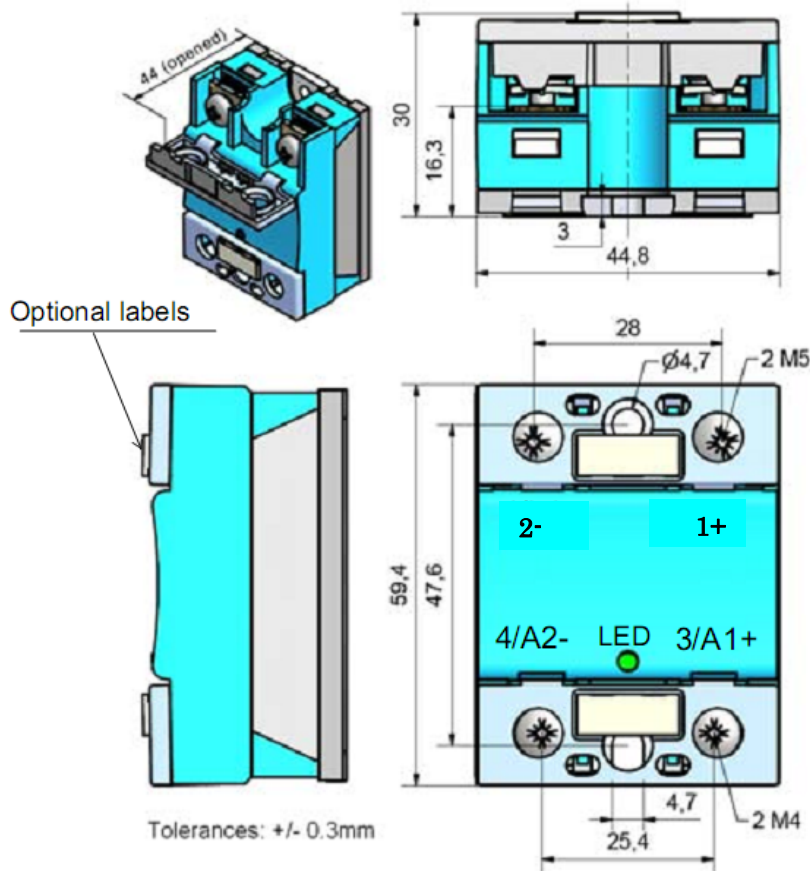


**DIMENSIONS AND ACCESSORIES**

Fig. 12

**DIMENSIONS (mm)**

CAD documents : [www.celduc-relais.uk/plan3D.asp](http://www.celduc-relais.uk/plan3D.asp)



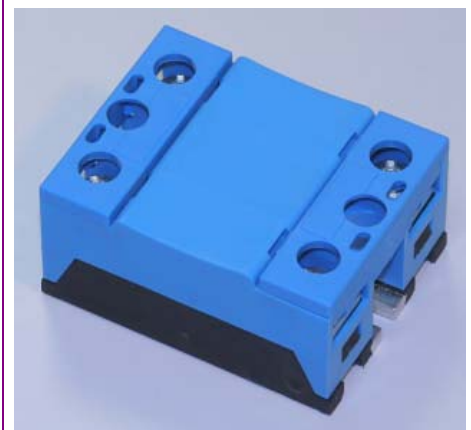
**ACCESSORIES**

**READY TO USE OVERVOLTAGE PROTECTION  
ESO01000**

(Please check our website for availability)

This device includes a diode (D2) and a capacitor (C1) suitable for most of the DC application.

To be mounted close to the SOM.



Please consult our website for other accessory references  
(Heatsinks, mounting adaptors, thermal grease...)