

4

3

2

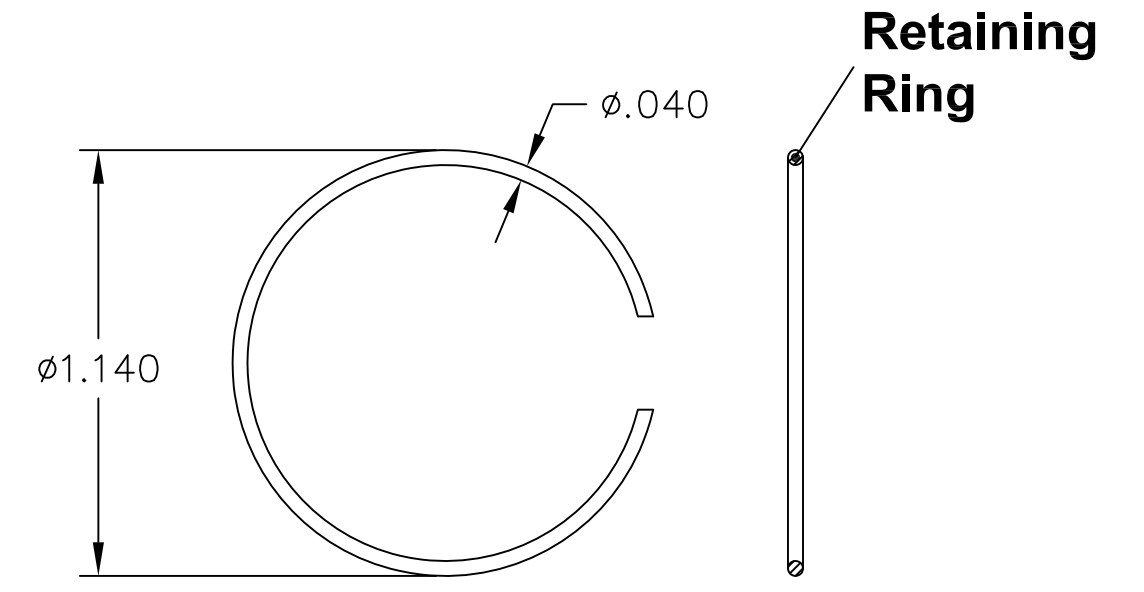
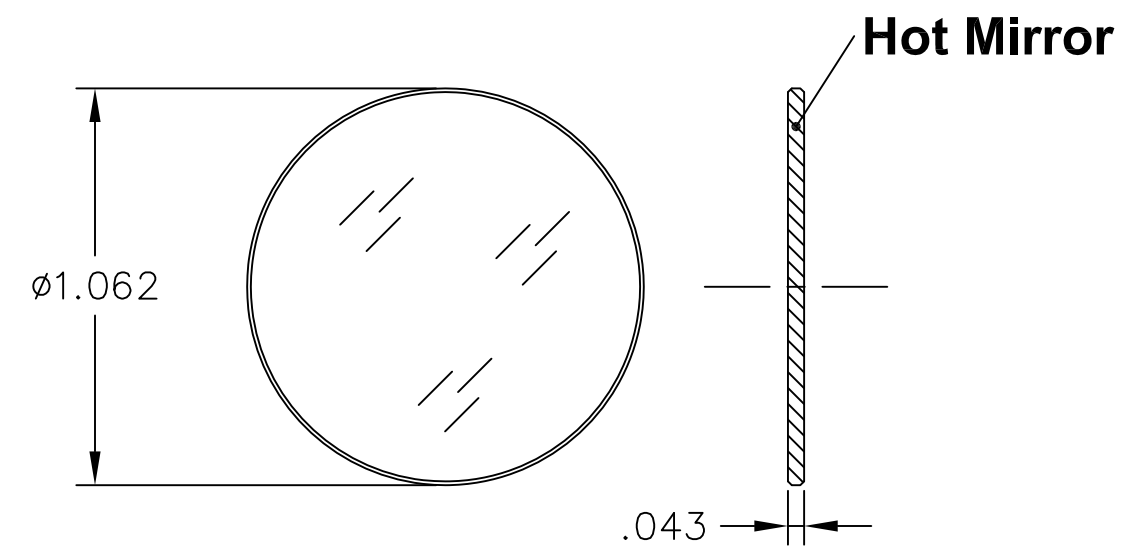
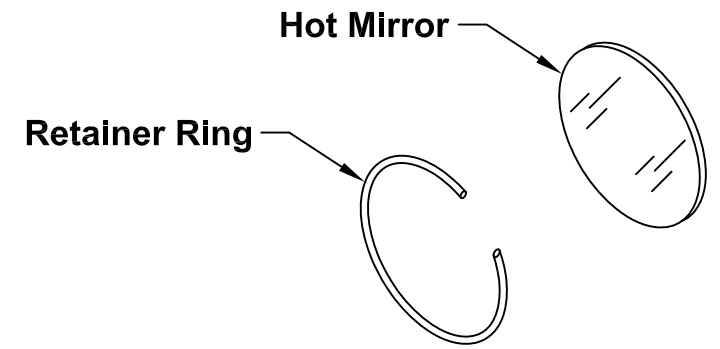
1

This document contains confidential and proprietary information of Excelitas Technologies. The contents shall not be disclosed, reproduced, duplicated, disseminated or used for purposes other than authorized in writing by Excelitas Technologies.

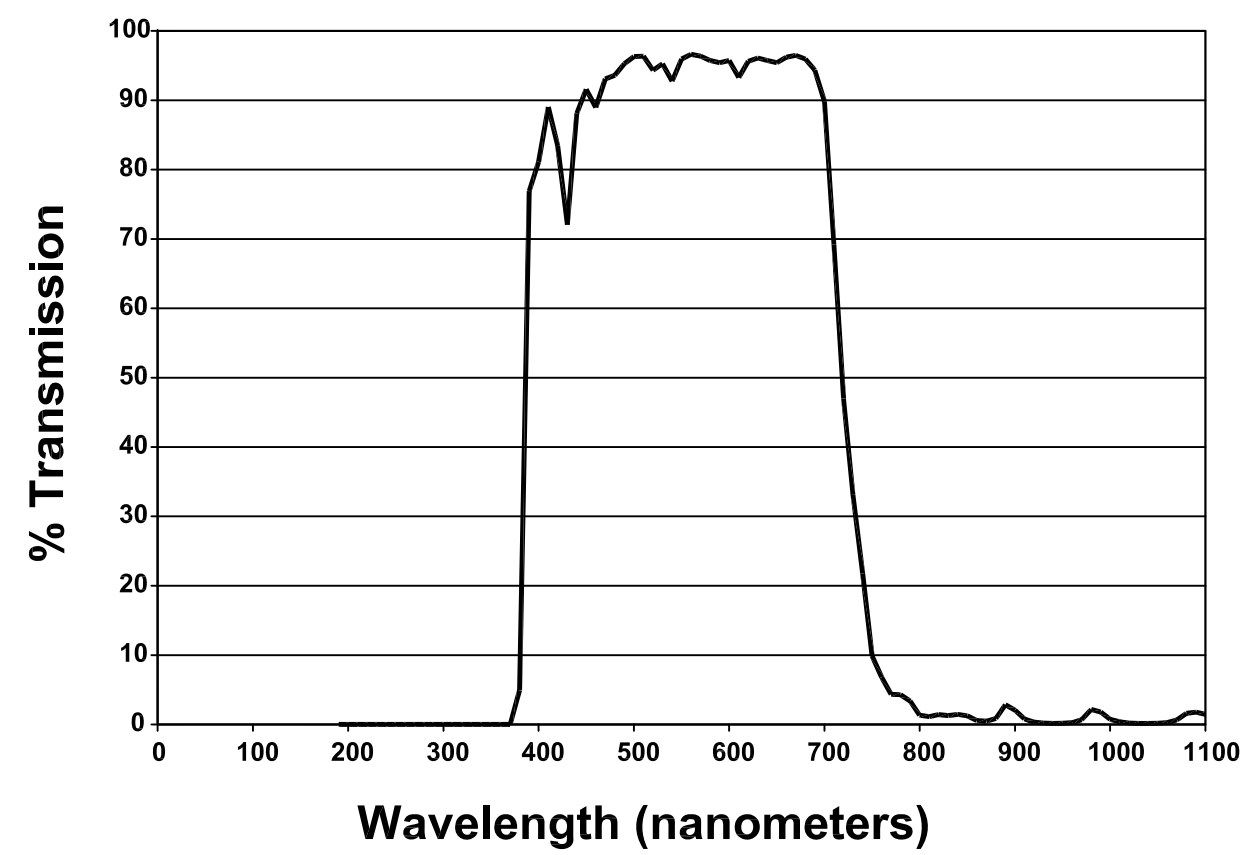
REVISIONS				
ZONE	REV.	DESCRIPTION	DATE	APPROVED
	A	REL/ECN 168243	03/06/06	K. TONG
	B	REV/ECN 172976	05/11/12	M. IGUCHI

NOTES:

1. INTENDED FOR USE WITH CERMAX LAMPS UP TO 300 WATTS.
2. WARRANTY: 12 MONTHS FROM DATE OF PURCHASE.
3. WARRANTY COVERS MATERIALS, WORKMANSHIP, AND INITIAL PERFORMANCE.



NOMINAL TRANSMISSION:



INTERFACE CONTROL DRAWING

UNLESS OTHERWISE SPECIFIED DIMENSIONS ARE IN INCHES TOLERANCES ARE:		CONTRACT NO.		EXCELITAS TECHNOLOGIES 44370 Christy Street Fremont, CA 94538	
FRACTIONS $\pm 1/64$	DECIMALS .XX $\pm .02$.XXX $\pm .005$	ANGLES $\pm 1^\circ$	APPROVALS		
SURFACE ROUGHNESS: 125 ✓			DRAWN BY	K. TONG	03/19/02
MATERIAL:			CHECKED		
FINISH:			ENGR.	K. TONG	03/19/02
			PROJ. ENGR.	K. TONG	03/19/02
			QA		
			M & P		
TITLE		SIZE	CAGE CODE	DWG. NO.	REV.
HOT MIRROR + RETAINING RING A2-004		B	31573	227942	B
SCALE		NONE		DO NOT SCALE DRAWING	SHEET 1 OF 1