

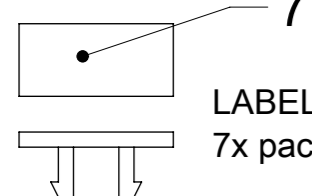
TABLE 1

MOLEX PN	ENG. NO.	CABLE LENGHT (mm)	LED
1202470031	BEB6010-FBW-05	5000	NO
1202470032	BEB6010-FBW-10	10000	NO
1202470033	BEB6010-FBW-15	15000	NO
1202470040	BEB601P-FBW-05	5000	YES
1202470041	BEB601P-FBW-10	10000	YES
1202470042	BEB601P-FBW-15	15000	YES

TABLE 2

ITEM	COMPONENT	MATERIAL	FINISH
1	INSERT	POLYESTER	BLACK
2	CONTACT	COPPER ALLOY	GOLD OVER NICKEL
3	O-RING	VITON	RED
4	RECEPTACLE SHELL	BRASS	NICKEL PLATED
5	HOUSING	PBT	BLACK
6	CABLE	TPU	BLACK
7	LABEL	ABS	WHITE
8	LABEL ADHESIVE	PE	WHITE
9	CABLE PLATE	PBT	BLACK
10	LED	NO LED = PA	BLACK
		WITH LED = PA	TRANSPARENT
11	RESIN	EPOXY	TRANSPARENT

SCALE 2:1

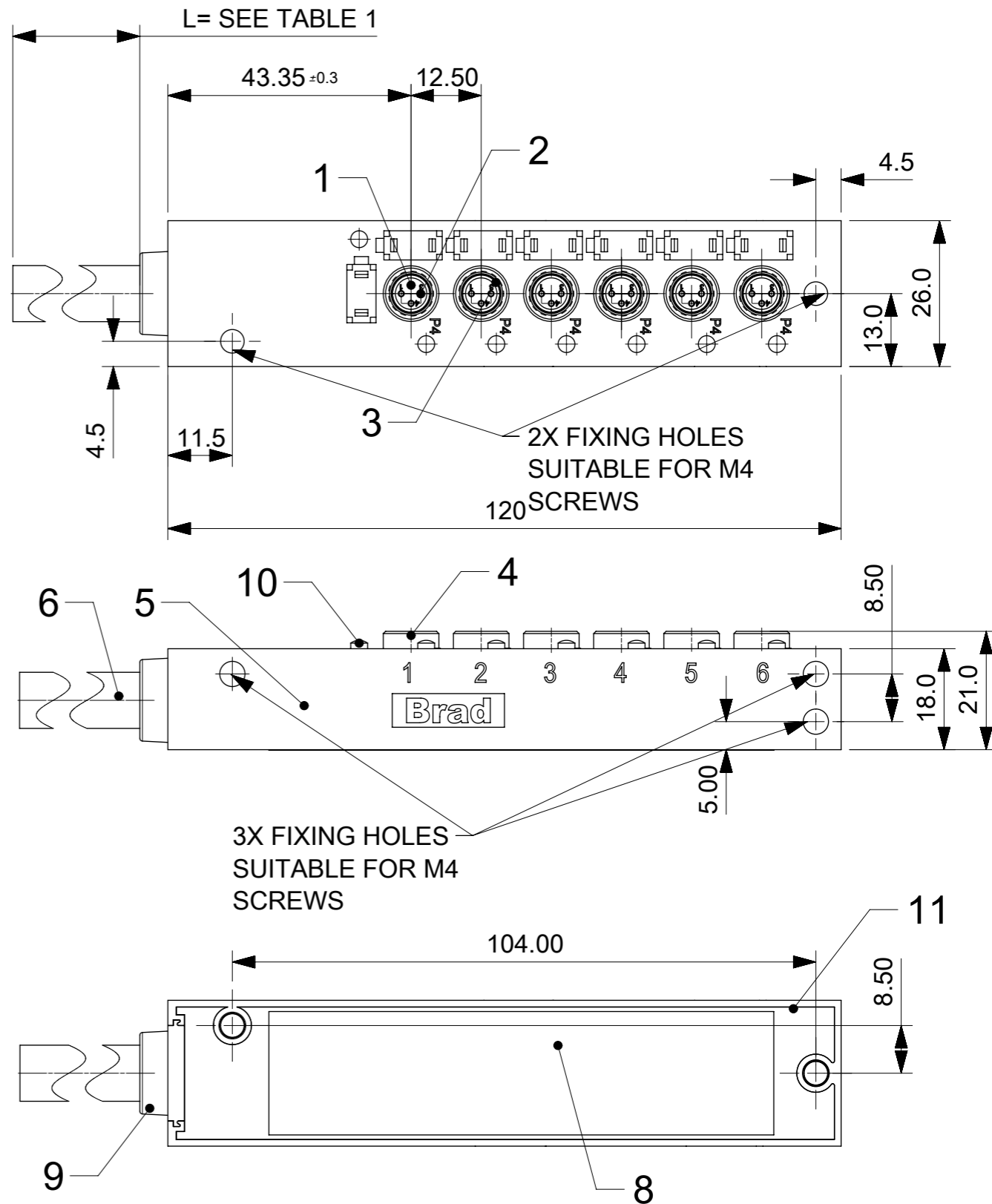
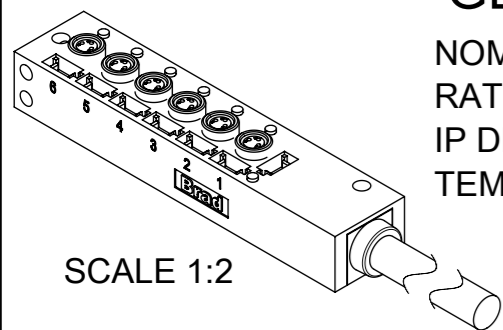


LABEL
7x packed in a bag.

GENERAL CHARACTERISTICS:

NOMINAL VOLTAGE: 24 V DC
 RATED CURRENT: 2 A PER PORT / 6 A MAX: TOTAL
 IP DEGREE OF PROTECTION: IP 67
 TEMPERATURE RANGE: -25°C to + 85°C

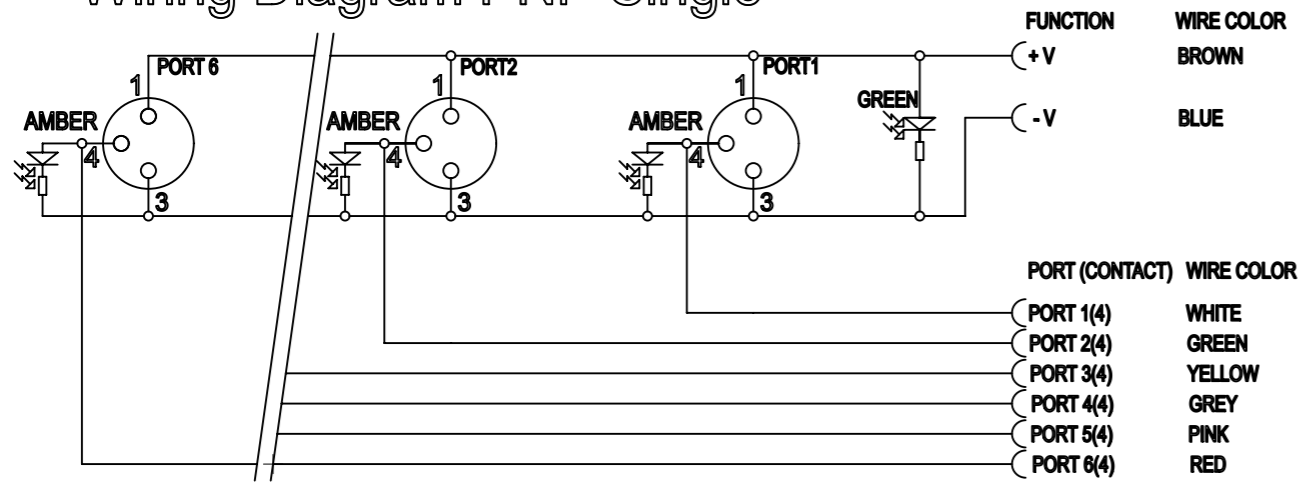
SCALE 1:2



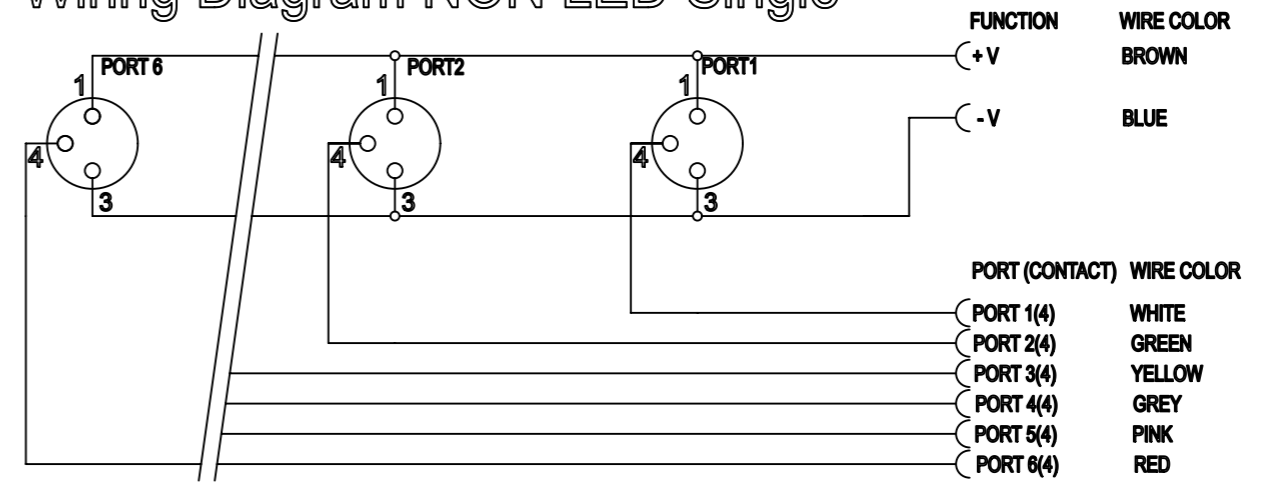
THIS DRAWING CONTAINS INFORMATION THAT IS PROPRIETARY TO MOLEX INCORPORATED AND SHOULD NOT BE USED WITHOUT WRITTEN PERMISSION

EC DESCRIPTION EC NO: 112816 DRWN: ULETTENMEIER 2016/09/26 CHK'D: REV: B	QUALITY SYMBOLS ▽ = 0 ▽ = 0 ▽ = 0 ▼ = 0 ▽ = 0 ☒ = 0 ■ = 0 ▽ = 0	GENERAL TOLERANCES (UNLESS SPECIFIED) ANGULAR TOL ± ° 4 PLACES ± 3 PLACES ± 2 PLACES ± 0.2 1 PLACE ± 0.3 0 PLACES ± 0.5 DRAFT WHERE APPLICABLE MUST REMAIN WITHIN DIMENSIONS	DIMENSION UNITS MM	SCALE 1:1	molex MPIS M8 PNP NOS 3P 6PT AC FE STR BK 5M SINGLE			
			DRWN BY ULETTENMEIER	DATE 2015/06/15		PRODUCT CUSTOMER DRAWING		
			CHK'D BY	DATE				
			APPR BY RSILLER	DATE 2015/07/03		SERIES 120247	MATERIAL NUMBER SEE TABLE 1	CUSTOMER GENERAL MARKET
			DRAWING SIZE A3	THIRD ANGLE PROJECTION	DOCUMENT NUMBER 1202470031	DOC TYPE PSD	DOC PART 000	SHEET NUMBER 1 OF 2

Wiring Diagram PNP Single



Wiring Diagram NON LED Single



THIS DRAWING CONTAINS INFORMATION THAT IS PROPRIETARY TO MOLEX INCORPORATED AND SHOULD NOT BE USED WITHOUT WRITTEN PERMISSION

EC DESCRIPTION EC NO: 112816 DRWN: ULETTENMEIER 2016/09/26 CHK'D: APPR: RSILLER 2017/01/26	QUALITY SYMBOLS	GENERAL TOLERANCES (UNLESS SPECIFIED) ANGULAR TOL ± ° 4 PLACES ± 3 PLACES ± 2 PLACES ± 0.2 1 PLACE ± 0.3 0 PLACES ± 0.5 DRAFT WHERE APPLICABLE MUST REMAIN WITHIN DIMENSIONS	DIMENSION UNITS	SCALE				
	▽ = 0 ▽ = 0 ▽ = 0 ▼ = 0 ▽ = 0 ☒ = 0 ■ = 0 ▽ = 0		MM	1:1		MPIS M8 PNP NOS 3P 6PT AC FE STR BK 5M SINGLE		
			DRWN BY	DATE				
			ULETTENMEIER	2015/06/15				
	CHK'D BY	DATE			PRODUCT CUSTOMER DRAWING			
	RSILLER	2015/07/03						
			APPR BY	DATE	SERIES	MATERIAL NUMBER	CUSTOMER	
			RSILLER	2015/07/03	120247	SEE TABLE 1	GENERAL MARKET	
			DRAWING SIZE	THIRD ANGLE PROJECTION	DOCUMENT NUMBER	DOC TYPE	DOC PART	SHEET NUMBER
			A3		1202470031	PSD	000	2 OF 2