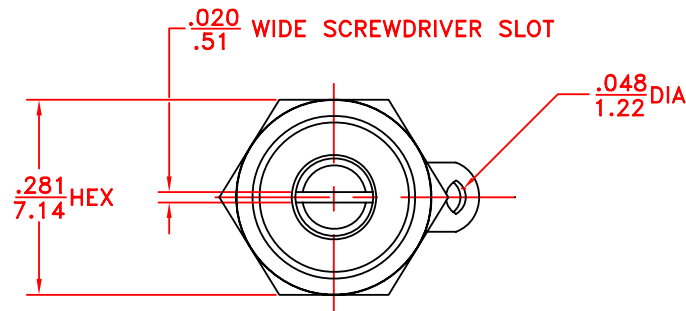
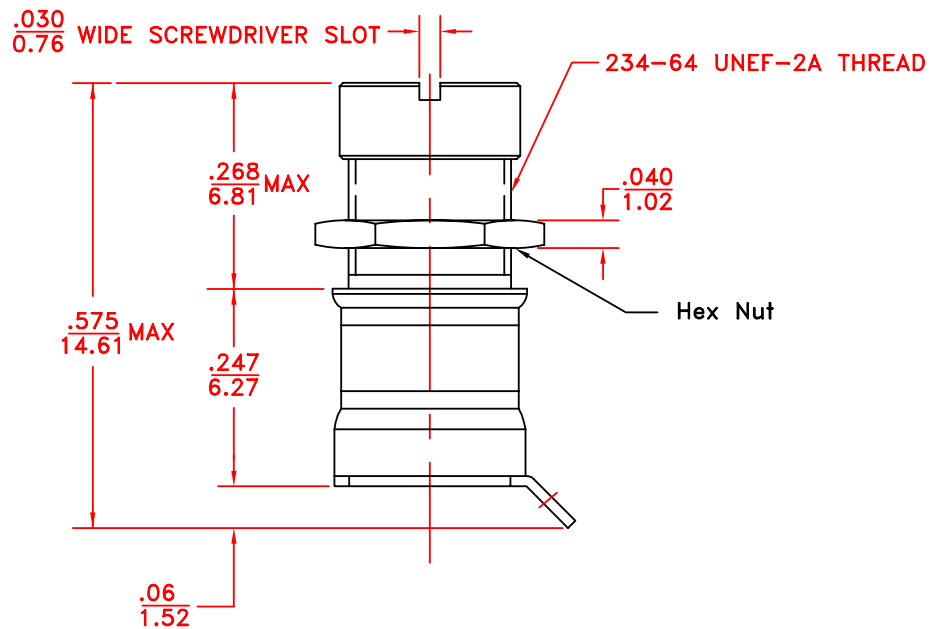


REV	DESCRIPTION	DATE	APP
00	NEW DRAWING	08/01/12	D.D.



VIEW WITHOUT SEAL CAP



**NOTES:**

1. Cmax over 10 pF
2. Cmin below 1.0pF
3. Working voltage 1000 VDC
4. Withstanding voltage 2000 VDC
5. Q @ Cmax and 100 MHZ over 2000
6. Operating temperature -65° C to +125° C
7. Torque .5 to 5.0 oz-in
8. Rotational life 10,000 turns
9. Dimensions: ( in/mm )
10. Construction: nonmagnetic

TOLERANCES: (EXCEPT AS NOTED)				SPRAGUE GOODMAN ELECTRONICS INC. 1700 SHAMES DRIVE WESTBURY, NY 11590			
DECIMAL: ±0.005 in ±0.13 mm		MATERIAL:		SCALE: 4:1		DRAWN BY: R. LEVIN	
FRACTIONAL: 1/64		TITLE: OUTLINE DWG				APPROVED: D. DITLYA	
ANGULAR: 1°		DATE: 08/01/12		DRAWING NUMBER SGNMA3T10002		USED FOR: REV. 00	