



American Opto Plus

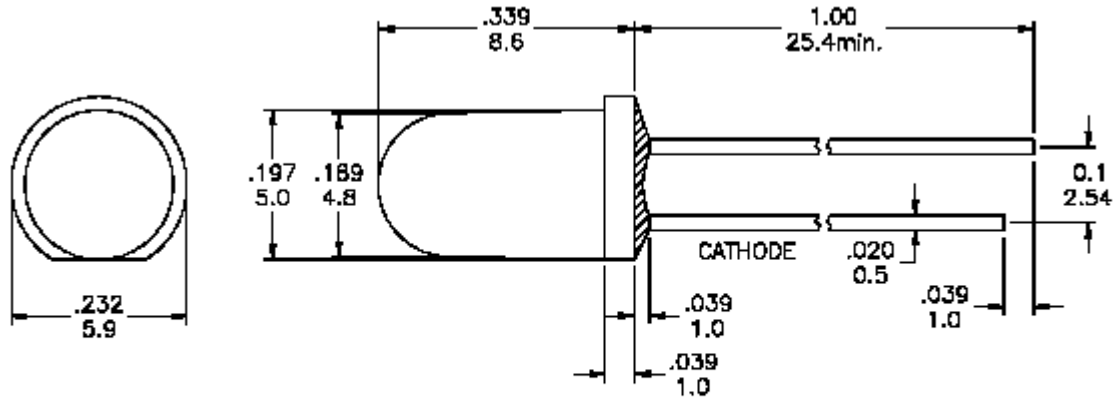
L-513SRD

5mm Dia LED LAMP –Color Diffused

MAIN FEATURES

- ◆ 5.0mm DIA LED LAMP
- ◆ POPULAR T-1 3/4, 1" LEAD
- ◆ I.C. COMPATABLE
- ◆ LOW POWER CONSUMPTION

PACKAGE DIMENSIONS



* Tolerance : $\pm \frac{0.01}{0.25}$ Unit : $\pm \frac{\text{inch}}{\text{mm}}$

SELECTION GUIDE AND APPLICATION INFORMATION (RATINGS AT 258C AMBIENT)

Part No.	Chip		Lens Color	Wave	Absolute Maximun Ratings				Electro-Optical Characteristics					View	
	Raw	Emitted		Length	$\Delta\lambda$	Pd	If	If	Vf(V)			If	Iv (mcd)		Angle
	Material	Color		p(nm)	Nm	mW	mA	(Peak)	Min.	Typ.	Max.	(Rec)	Min.	Typ.	(deg)
L513SRD	AlGaAs	S. Red	Red Diffused	660	20	75	30	100	-	1.8	2.5	10-20	35	80	45

ABSOLUTE MAXIMUN RATING: (Ta=258C)

Reverse Voltage	: 5 Volt
Reverse Current(Vr = 5V)	: 100 μ A
Operating Temperature Range	: -20C to +80C
Storage Temperature Range	: -40C to +100C
Lead Soldering Temperature	: 260C for 5 Seconds
(1.6mm(1/16inch) from body)	

ELECTRO-OPTICAL CHARACTERISTICS: (Ta=258C)

Para meter Description	Symbol	Unit
Spectral Line half-Width	$\Delta\lambda$	nm
Power Dissipation	Pd	mW
Peak Forward Current (Duty 1/10, @KHz)	If(Peak)	mA
Recommended Operation Current	If(Rec)	mA
Average Luminuous intensity (If = 10mA)	Iv	mcd