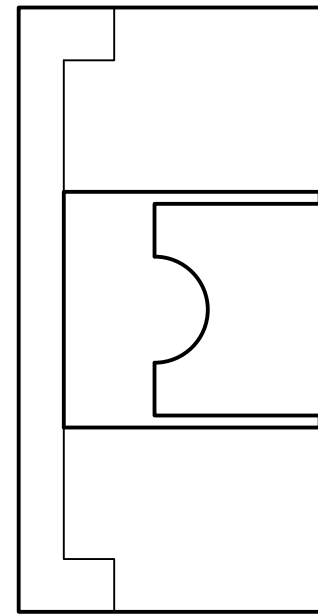


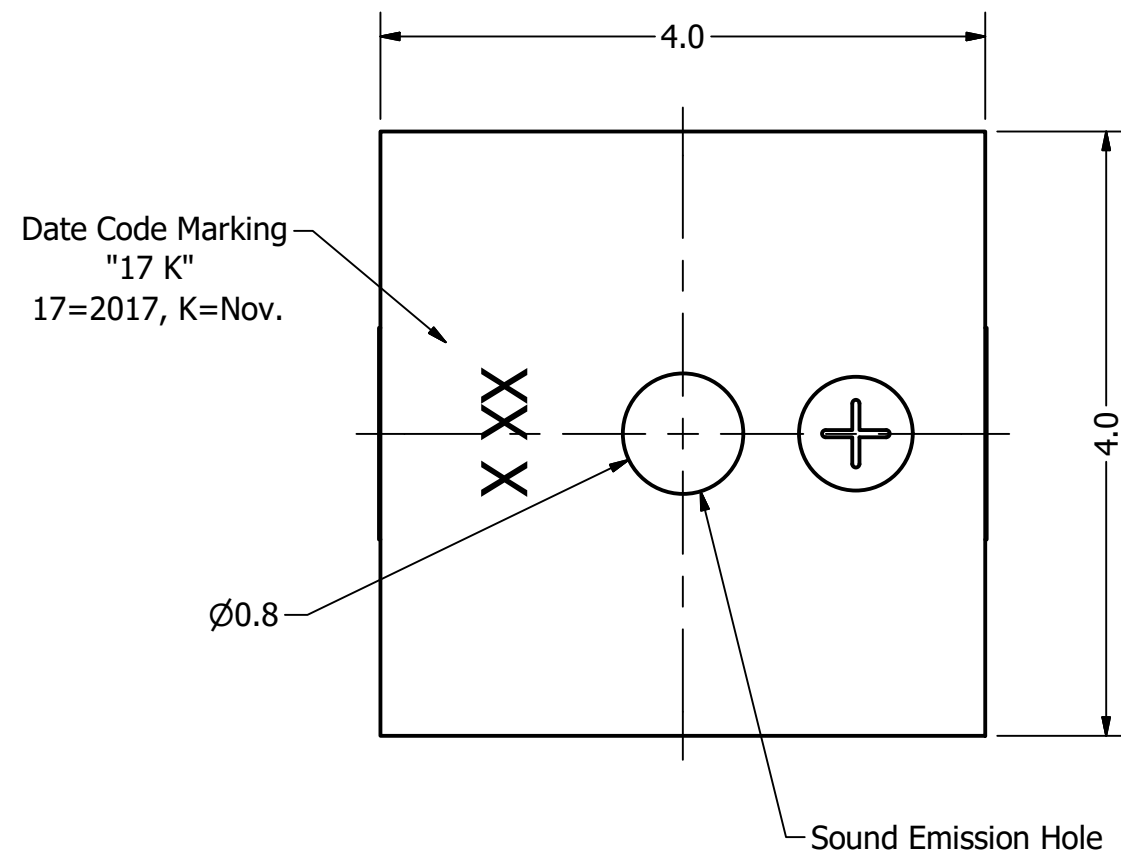
Part Number:	TE044003-1	
DESCRIPTION:	Electro-Mechanical Transducer	
DRAWN	CJ	12/1/2017
CHECKED	P.D.	12/5/2017
APPROVED	C.E.	12/5/2017

This document contains data proprietary to DB Unlimited. Any use or reproduction, in any form, without prior written permission of DB Unlimited is prohibited. All terms and conditions can be found at www.dbunlimitedco.com

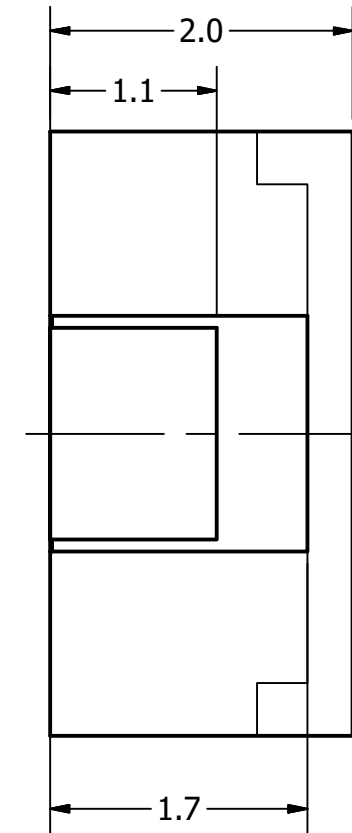
Side View (1)



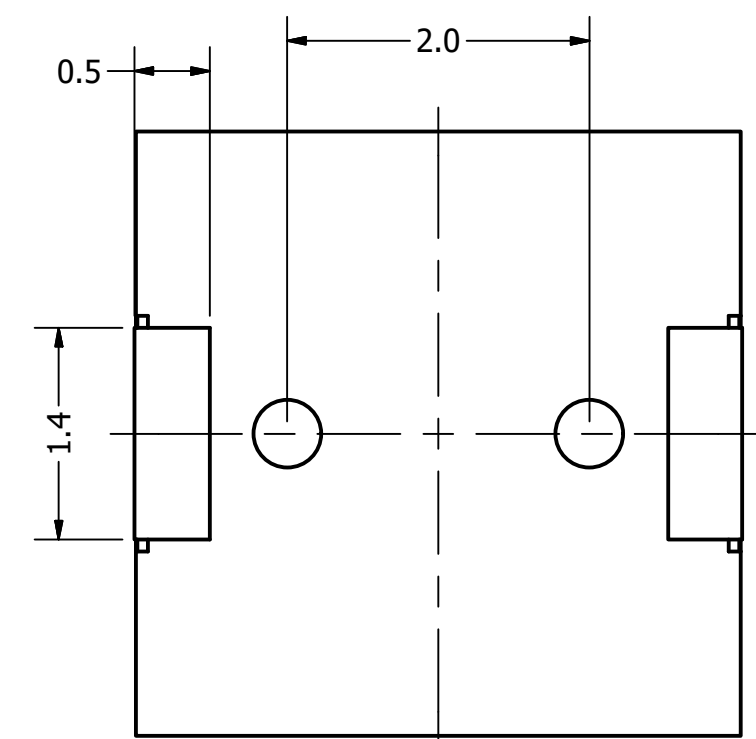
Top View



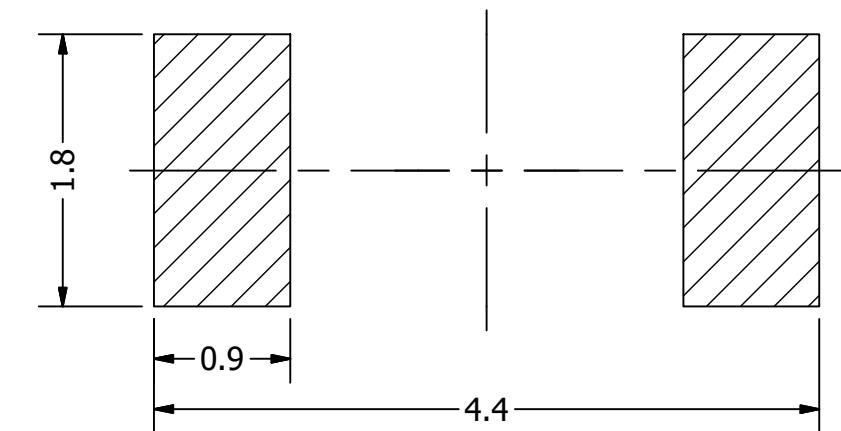
Side View (2)



Bottom View



Recommend PCB Layout



Items	Specifications	Conditions
Min. Sound Pressure Level	70	dB (@ 10cm)
Resonant Frequency	4,000	Hz
Rated Voltage	3	V
Voltage Range	2 ~ 4	V
Coil Resistance	17 ± 3	Ω
Max. Rated Current	90	mA
Storage Temperature	-30 ~ +80	°C
Operating Temperature	-20 ~ +70	°C
Connection Method	Surface Mount Pads	
Mount Type	Surface Mount	
Housing Material	LCP	
Weight	0.1	g

REVISION HISTORY			
REV	DESCRIPTION	DATE	APPROVED
	Released from Engineering	11/23/2015	J.S.
1	Add PCB Layout	12/5/2017	C.E.

NOTES	
1) All dimensions are in mm unless otherwise noted	
2) All tolerances are ± 0.3 mm unless otherwise noted	
3) All parts meet RoHS	
4) Subject to change or redrawn without notice	