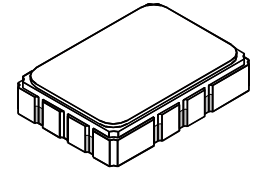


SF2367B

**169.4375 MHz
SAW Filter**



SMP-03

- 169.4375 MHz Narrow-band SAW Filter
- Steep Transition to Stopband
- Hermetic 5 X 7 mm Surface Mount Case
- Complies with Directive 2002/95/EC (RoHS)
- Moisture Sensitivity Level: 1

Absolute Maximum Ratings

Rating	Value	Units
Input Power	+10	dBm
DC Voltage on any Non-ground Terminal	5	VDC
Operating Temperature Range	-40 to +85	°C
Storage Temperature Range in Tape and Reel	-40 to +85	°C
Soldering profile - 2 cycles maximum	245 to 260°C for 10 s	

Electrical Characteristics

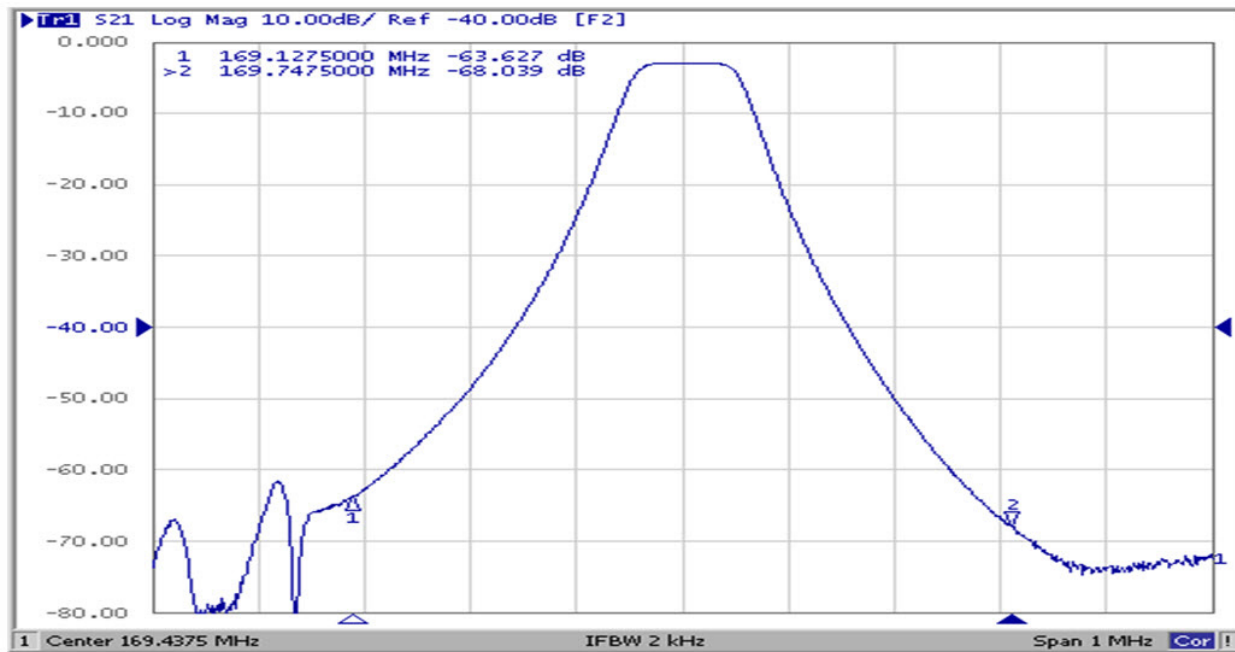
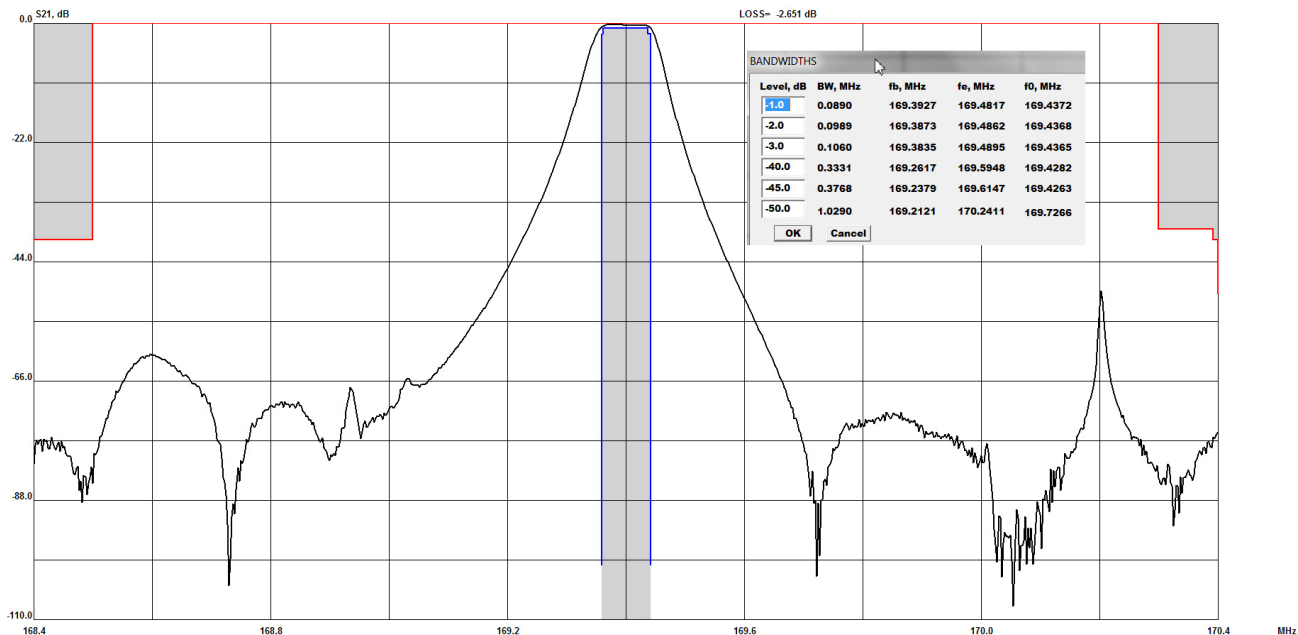
Characteristic	Sym	Notes	Min	Typ	Max	Units
3 dB Center Frequency	F_C		169.4075	169.4375	169.4675	MHz
Insertion Loss at Center Frequency ILc	ILc			3	4.5	dB
3 dB Bandwidth			80	100		kHz
Rejection: (reference to ILc)						dB
$F_c - 5\text{MHz}$ to $F_c - 0.9\text{MHz}$			40	60		
$F_c + 0.9\text{MHz}$ to $F_c + 0.92\text{MHz}$			38	45		
$F_c + 0.92\text{MHz}$ to $F_c + 4\text{MHz}$			40	50		
$F_c + 4\text{MHz}$ to $F_c + 5\text{MHz}$			50	60		

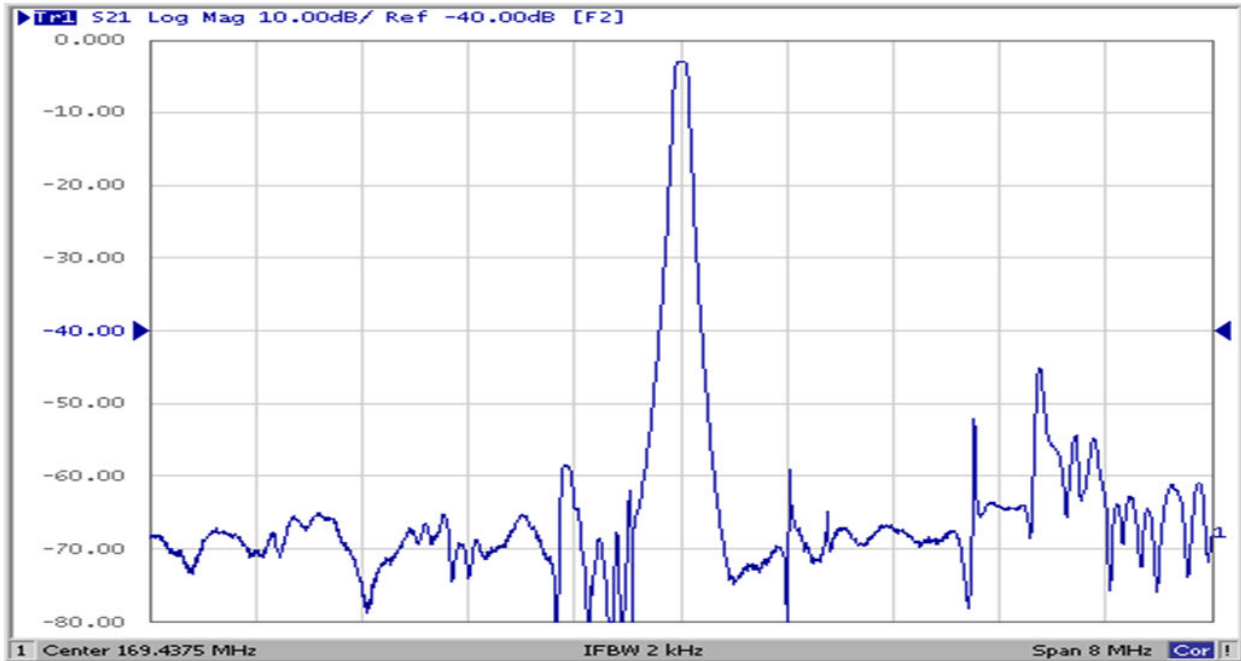
Case Style	SMP-03 5 x 7 mm Nominal Footprint
Lid Symbolization (YY=year, WW=week, S=shift, ## = Sequence Code)	RFM, SF2367B, YYWWS##

 **CAUTION: Electrostatic Sensitive Device. Observe precautions for handling.**
NOTES:

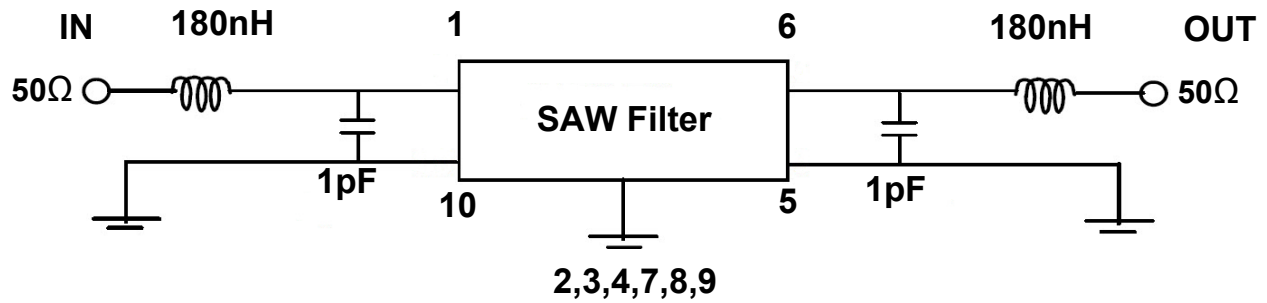
1. The design, manufacturing process, and specifications of this device are subject to change.
2. US or International patents may apply.
3. RoHS compliant from the first date of manufacture.

Frequency Characteristics





Measurement Circuit

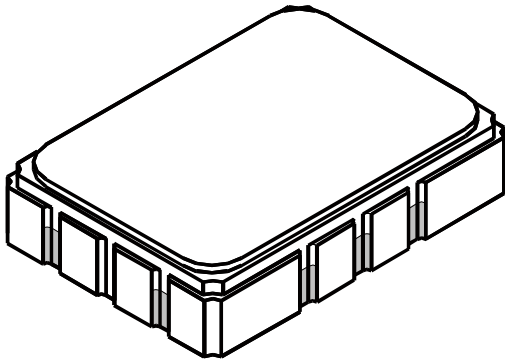


Electrical Connections

Connection	Terminals
Input	1
Output	6
Balanced Input or Input Ground	10
Balanced Output or Output Ground	5
Ground	2,3,4,7,8,9

SMP-03 Case

10-Terminal Ceramic Surface-Mount Case 5 x 7 mm Nominal Footprint

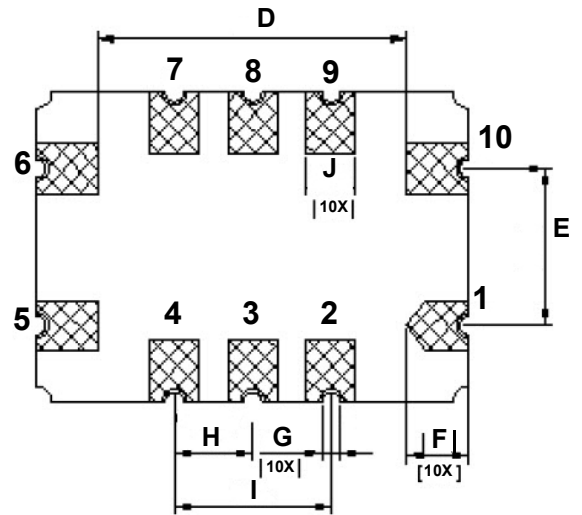
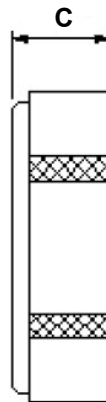
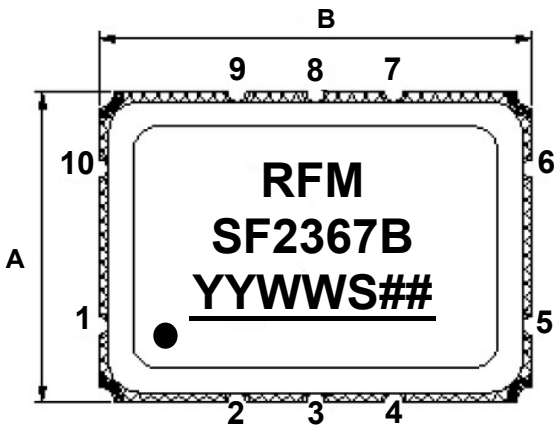


Case Dimensions

Dimension	mm			Inches		
	Min	Nom	Max	Min	Nom	Max
A	-	7.00	-	-	0.276	-
B	-	5.00	-	-	0.197	-
C	-	-	1.80	-	-	0.070
D	-	5.00	-	-	0.197	-
E	-	2.54	-	-	0.100	-
F	-	1.00	-	-	0.039	-
G	-	0.30	-	-	0.011	-
H	-	1.27	-	-	0.050	-
I	-	2.54	-	-	0.100	-
J	-	0.60	-	-	0.024	-

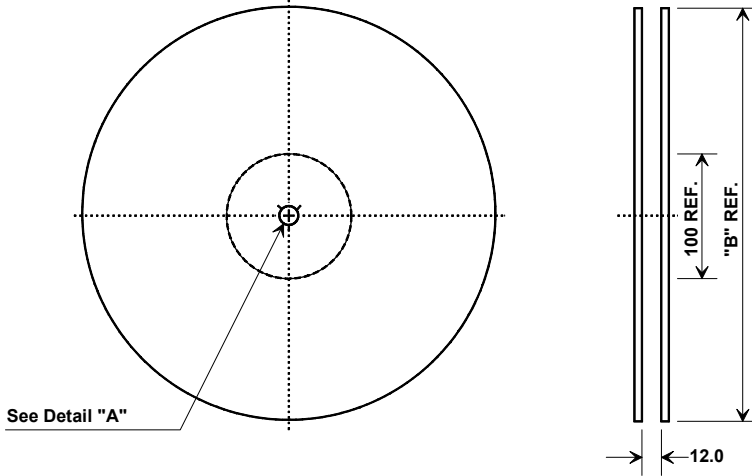
Case Materials

Materials	
Solder Pad Plating	0.3 to 1.0 μm Gold over 1.27 to 8.89 μm Nickel
Lid Plating	2.0 to 3.0 μm Nickel
Body	Al_2O_3 Ceramic

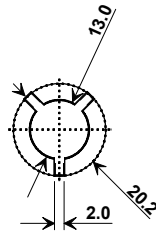


Tape and Reel Specifications

Tape and Reel Standard per ANSI/EIA-481

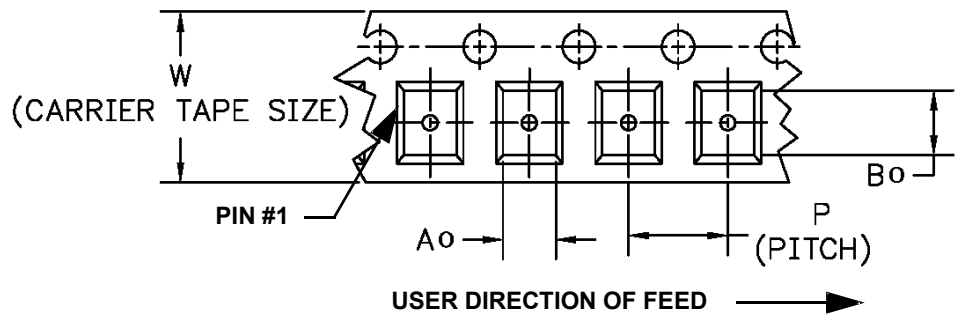
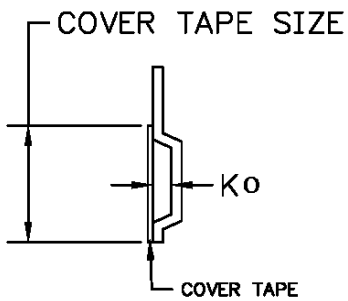


"B"		Quantity Per Reel
Nominal Size		
Inches	millimeters	
7	178	500
13	330	2000



COMPONENT ORIENTATION and DIMENSIONS

Carrier Tape Dimensions	
Ao	5.6 ± 0.1 mm
Bo	7.6 mm
Ko	1.9 ± 0.1 mm
Pitch	8.0 ± 0.1 mm
W	16.0 ± 0.3 mm



Recommended Reflow Profile

1. Preheating shall be fixed at 150~180°C for 60~90 seconds.
2. Ascending time to preheating temperature 150°C shall be 30 seconds min.
3. Heating shall be fixed at 220°C for 50~80 seconds and at 260°C +0/-5°C peak (10 seconds).
4. Time: 5 times maximum.

