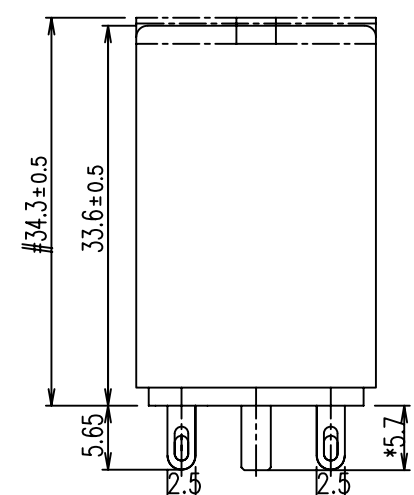
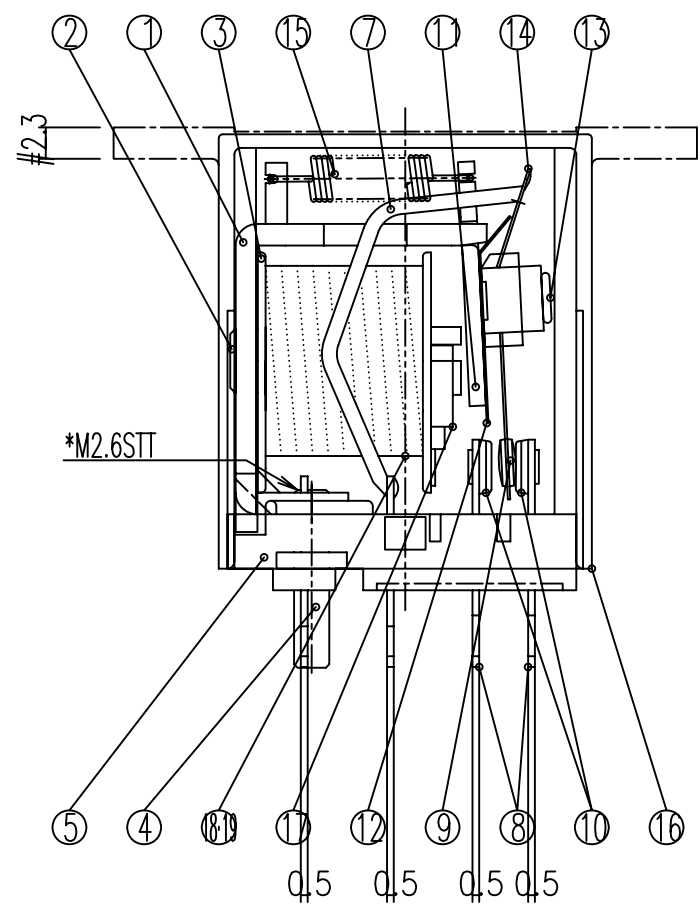
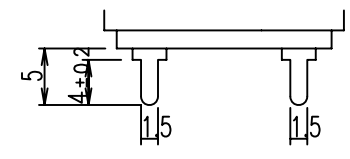


THIS DRAWING IS UNPUBLISHED. RELEASED FOR PUBLICATION
 © COPYRIGHT BY TYCO ELECTRONICS CORPORATION. ALL RIGHTS RESERVED.

| P | LTR | DESCRIPTION | ECN | DATE | DWN | APVD |
|---|-----|-----------------------|---------------|-----------|------|------|
| | | | | | | |
| | O | RELEASE | | 25-FEB-02 | Y.Y | A.N |
| | A | REMOVE CONTACT FIGURE | ECO-07-014825 | 22-JUN-07 | Y.ZX | Y.BH |



2T5A Plug-in + Stad bolt Type



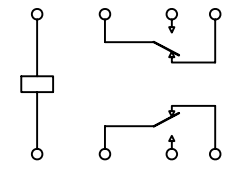
2T5A PCB + Standard bolt Type

Drilling Diagram (BOTTOM VIEW)

Connection Diagram (BOTTOM VIEW)

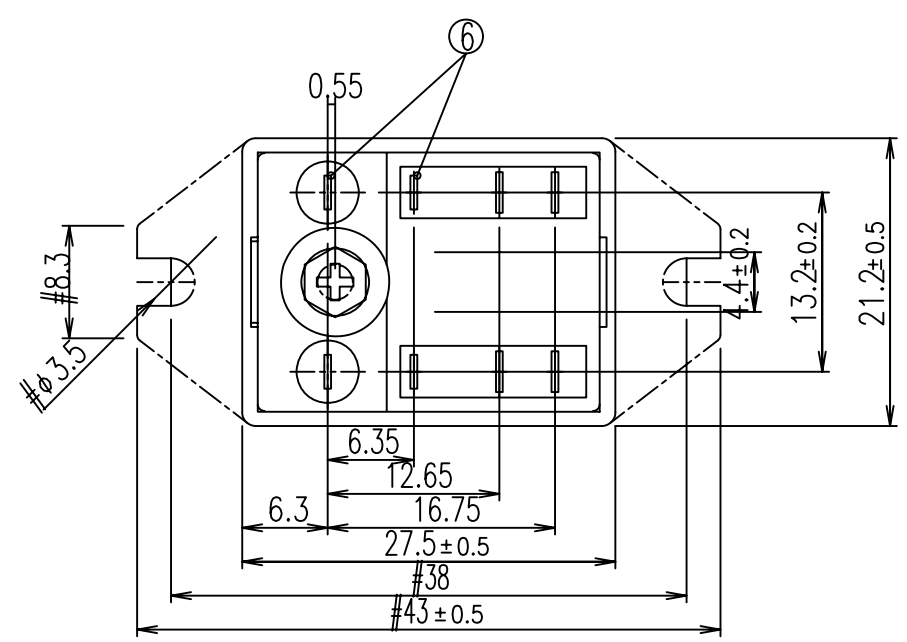
プリント基板加工図 (1/1)

接続図



| Diagram dimension 作図寸法 | Tolerance 公差 |
|---------------------------|-----------------|
| 0.99mm max. | ±0.1mm |
| 1 - 2.99mm | ±0.2mm |
| 3mm min. | ±0.3mm |

| AMP PART NO | DESCRIPTION | NO |
|-------------|----------------|----|
| 8-1440002-4 | PCL-202D1S,000 | 1 |



| ITEM | DESCRIPTION | MATERIAL | FINISH | UL-94 | NOTES |
|------|----------------------|--------------------------|--------------|-------|---|
| 19 | TAPE | Polyester | | | |
| 18 | MAGNETIC WIRE | POLYURETHANE COPPER WIRE | | | |
| 17 | Cu PLATE | Cu ALLOY | | | Use AC type only ACタイプのみ使用 |
| 16 | CASE | PC | | V-0 | #Dimension for Flange Case type #寸法はフランジケースタイプ |
| 15 | SPRING | STAINLESS STEEL | | | |
| 14 | MOVABLE SPRING | Cu ALLOY + PBT | | | |
| 13 | ALUMINIUM RIVET | Aluminium | | | |
| 12 | SHEET | Polyester | | | |
| 11 | ARMATURE | Steel | Cu-Ni Plated | | |
| 10 | STATIONARY CONTACT | Ag ALLOY | | | |
| 9 | MOVABLE CONTACT | Ag ALLOY | | | |
| 8 | STATIONARY TERMINAL | Cu ALLOY | | | |
| 7 | Lead Wire | Cu ALLOY + PVC | | | |
| 6 | Coil / Movable Term. | Cu ALLOY | | | |
| 5 | BASE | Epoxy casting resin | | V-0 | |
| 4 | SCREW | Steel | Chromate | | *Stad bolt type M2.6xP0.45 *寸法はスタッドボルトタイプ |
| 3 | BOBBIN | PA66 | | HB | |
| 2 | CORE | Steel | Zn Plated | | |
| 1 | YOKE | Steel | Ni Plated | | |

THIS DRAWING IS A CONTROLLED DOCUMENT FOR TYCO ELECTRONICS CORPORATION
 IT IS SUBJECT TO CHANGE AND THE CONTROLLING ENGINEERING ORGANIZATION
 SHOULD BE CONTACTED FOR THE LATEST REVISION.

| | |
|--------------------------------|---|
| DIMENSIONS: mm | TOLERANCES UNLESS OTHERWISE SPECIFIED: |
| | 0 PLC ± 1 PLC ± 2 PLC ± 3 PLC ± 4 PLC ± |
| MATERIAL SEE MATERIAL TABLE | FINISH |

| |
|-------------------|
| DWN Y.YAMANAKA |
| CHK Y.OIKAWA |
| APVD A.NAGAI |
| PRODUCT SPEC |
| APPLICATION SPEC |
| WEIGHT |
| CUSTOMER DRAWING |

| | | | |
|--|--------------------|---------------------------|---------------|
| Tyco Electronics Corporation (Shenzhen) Co.,Ltd | | | |
| NAME PCL 2POLE 5A | | | |
| SIZE A3 | GAGE CODE 00779 | DRAWING NO 8-1440002-4 | RESTRICTED TO |
| SCALE 1:1 | SHEET 1 of 1 | REV A | |

D

D

C

C

B

B

A

A