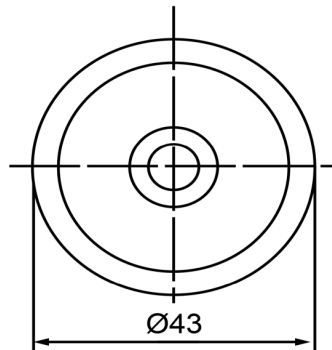
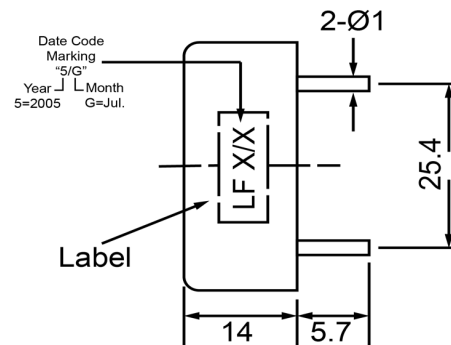




TOP VIEW



SIDE VIEW



Specifications			Notes	Revision History						
Description	Value	Unit		Version	Description		Date	Approved		
Technology	Piezo		1) All dimensions are in mm unless otherwise noted 2) All parts meet RoHS	1	Released from Engineering		10/21/2013	J.S		
Resonant Frequency	2,800	(Hz)								
Rated Voltage	12	(V)								
SPL @ 10cm	110	(dBA)								
Tone	Single									
Mount Type	Thru-hole									
Voltage Range	3 ~ 20	(V)								
Max Rated Current	12	(mA)								
Housing Material	ABS									
Operating Temperature	-20 ~ +60	°C								
Storage Temperature	-20 ~ +60	°C								
Weight	11	(g)								
 DB UNLIMITED						Drawn by Date Checked by Date Approved by Date		IP432812-1		
						A.B.		10/21/2013	C.E.	

Additional considerations can be found at www.dbunlimitedco.com/technical-articles.