



SPECIFICATION
FOR ELECTRO-MAGNET TRANSDUCER

TOTAL PAGE 06 <http://www.bestargroups.com> RoHS

Customer		Model Name	BMT1205XH9.5 LF
Customer P/N		Product No.	020100
Date	12 Apr.2018	Issue No.	BS/TET01.013E
Page	01 of 06	Issue Date	2018/04/12

Approval:

- 1.Characteristics
- 2.Dimension
- 3.Reliability Test
- 4.Packing
5. Notice
6. History change record

Drawn by	Checked by	Approved by	Customer approved
周吕辉	李梅芳	徐金国	

BeStar Holding Co., Ltd.

No.199 HuangHe West Road.New district,ChangZhou,JiangSu Province,P.R.China

Tel: +86 519 88222567

Fax: +86 519 88222551

E-mail:wu@be-star.com

<http://www.bestargroups.com>

BMT1205XH9.5 LF

1.Characteristics

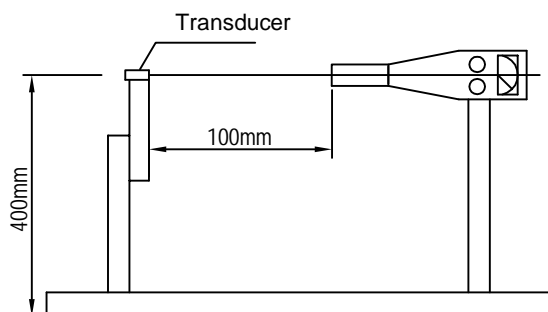


1.1Electrical and Mechanical Characteristics

No.	Item	Specification
1.	Operating Voltage	4...6.5V
2.	a)Rated Voltage	5V
3.	a)Rated Current	≤30mA
4.	a)Sound Output at 10cm	≥85dBA
5.	b)Resonant Frequency	2300±300Hz
6.	Response Time	≤50ms
7.	Operating Temperature	-25~+80°C
8.	Storage Temperature	-30~+80°C
9.	Weight	2g
	a)Value Applying Rated Voltage(DC)	
	b)Value Applying Min.Operational Voltage(DC)	

1.2 Standard Output Measurement Setup

No reaction in space with in 400mm in all directions

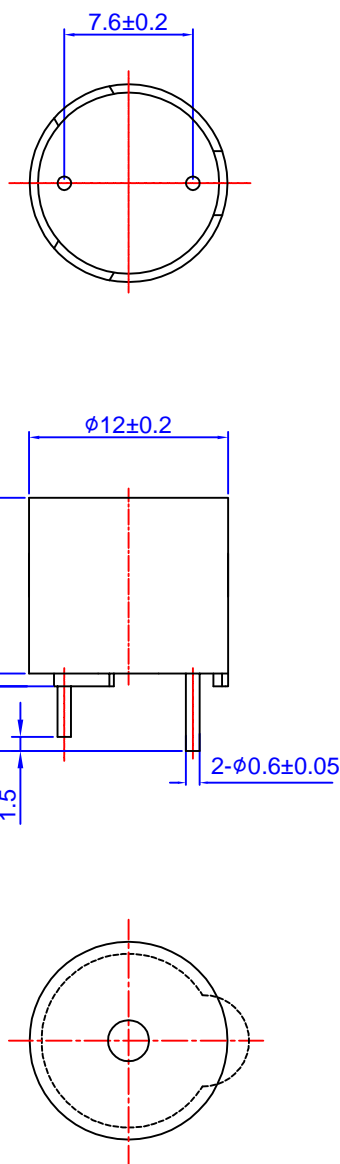


Standard Conditions
 Temperature: 17-25 °C
 Relative Humidity: 45~85%(RH)
 Air Pressure: 860~1060hPA

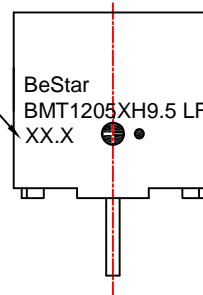
E	2018/04/12	周吕辉	Update the printing	Date:	2018/04/12	BMT1205XH9.5 LF	
D	2017/09/04	周吕辉	Update the text template	Drawn by:	周吕辉		
:	:	:	:	Checked by:	李梅芳	Transducer	
Rev.	Date	Drawn	Note	Approved by:	徐金国		
BeStar Holding Co., Ltd.						DRG NO:BS/TET01.013E	Page:02 of 06
www.bestargroups.com wu@be-star.com							

BMT1205XH9.5 LF

2.Dimension



Remarks:
 color of printing:golden
 "XX.X" means "year.month"
 e.g:"Apr.2018" is "18.D"



Unit: mm Tolerance: ± 0.2

A	E	2018/04/12	周吕辉	Update the printing	Date:	2018/04/12	BMT1205XH9.5 LF
	D	2017/09/04	周吕辉	Update the text template	Drawn by:	周吕辉	
	:	:	:	:	Checked by:	李梅芳	Transducer
	Rev.	Date	Drawn	Note	Approved by:	徐金国	
BeStar Holding Co., Ltd.						www.bestargroups.com wu@be-star.com	DRG NO:BS/TET01.013E Page:03 of 06

This print and information there in are propriety to BeStar Holding Co., Ltd. and shall not be used in whole or in part without its written content

BMT1205XH9.5 LF

3. Reliability test

3.1 High temperature test

Temperature +80°C
Duration 96hrs

3.2 Low temperature test

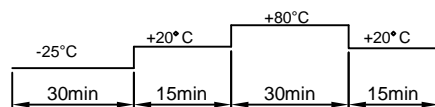
Temperature -25°C
Duration 96hrs

3.3 Life test in normal temperature

Power supply rated voltage
Duration 1000hrs

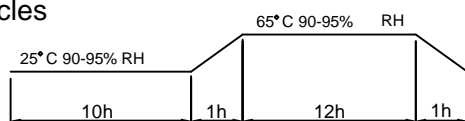
3.4 Temperature cycle test

Cycles 5



3.5 Humidity cycle test

Cycles 5



all these tests above should be measured after leaving normal temperature for 2hrs.

3.6 Drop test

Height 70cm
(to 10mm thickness woodenboard)
Direction 3

3.7 Solderability test

Solderability temperature 255±5°C
Heat applying time 3±0.5sec

Notice: After teh test the part shall meet specifications without any degrance and performance except S.P.L,S.P.L shall be 83dB or more.

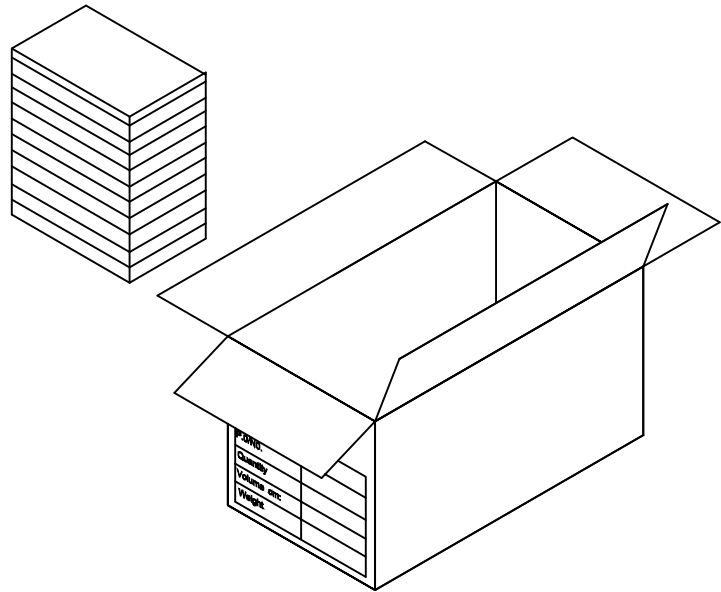
This print and information there in are propriety to BeStar Holding Co., Ltd. and shall not be used in whole or in part without its written content

E	2018/04/12	周吕辉	Update the printing	Date:	2018/04/12	BMT1205XH9.5 LF	
D	2017/09/04	周吕辉	Update the text template	Drawn by:	周吕辉		
:	:	:	:	Checked by:	李梅芳	Transducer	
Rev.	Date	Drawn	Note	Approved by:	徐金国		
BeStar Holding Co., Ltd.						DRG NO:BS/TET01.013E	Page:04 of 06
www.bestargroups.com wu@be-star.com							

BMT1205XH9.5 LF

4. Packing

Packing drawing(unit:mm)



- 1)100pcs/tray
- 2)30trays/carton
- 3)3000 pcs/carton in total
- 4)carton size 50x27x26cm

5. Notice

5.1 The products mustn't be washed

5.2 Storage Condition

The products should be stored in the room ,where the temperature/humidity is stable. And avoid such places where there are large temperature changes. Please store the products at the following conditions:

Temperature: -10 to + 40°C Humidity: 15 to 85% R.H.

5.3 Expire Date on Storage

Expire date (Shelf life) of the products is six months after delivered under the conditions of a sealed and an unopened package. Please use the products within six months after delivered.

If you store the products for a long time (more than six months), use carefully because the products may be degraded in the solderability and/or rusty. Please confirm solderability and characteristics for the products regularly.

5.4 Notice on Product Storage

(1) Please do not store the products in a chemical atmosphere (Acids, Alkali, Bases, Organic gas, Sulfides and so on), because the characteristics may be reduced at quality, and/or be degraded in the solderability due to the storage in a chemical atmosphere.

(2) Please use the products immediately after the package is opened, because the characteristics may be reduced at quality, and/or be degraded in the solderability due to storage under the poor condition.

This print and information there in are proprietary to BeStar Holding Co., Ltd. and shall not be used in whole or in part without its written content

E	2018/04/12	周吕辉	Update the printing	Date:	2018/04/12	BMT1205XH9.5 LF	
D	2017/09/04	周吕辉	Update the text template	Drawn by:	周吕辉		
:	:	:	:	Checked by:	李梅芳	Transducer	
Rev.	Date	Drawn	Note	Approved by:	徐金国		
BeStar Holding Co., Ltd.						DRG NO:BS/TET01.013E	Page:05 of 06
www.bestargroups.com wu@be-star.com							

