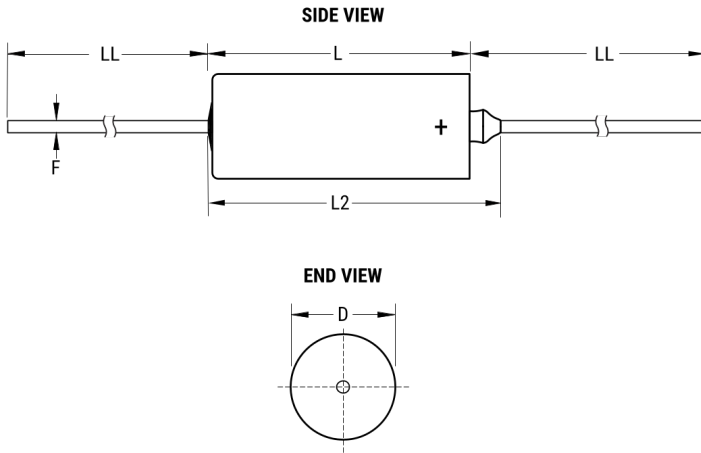


T140D476K050AT7200

Aliases (T140D476K050AT7443, T140D476K050ATTR)

Not for New Design

T140, Tantalum, MnO2 Tantalum, Commercial Grade, 47 uF, 10%, 50 VDC



General Information

Series	T140
Dielectric	MnO2 Tantalum
Style	Axial Hermetic
Description	Axial, Solid Tantalum, Hermetically Sealed, Military (Non-ER), Polar
Features	Extended Capacitance, Polar
RoHS	Yes
Termination	Tin
Lead	Wire Leads
AEC-Q200	No
Construction	Hermetic
Notes	Dimensions Include Insulating Sleeve. When supplied on T&R or AMMO, lead length is determined by taping specification.

Click [here](#) for the 3D model.

Dimensions

D	8.92mm +/-0.25mm
L	19.96mm +/-0.79mm
L2	23.42mm
LL	38.1mm +/-6.35mm
F	0.64mm +/-0.05mm

Packaging Specifications

Packaging	T&R, 305mm, Class III, B = 73mm
Packaging Quantity	400

Specifications

Capacitance	47 uF
Capacitance Tolerance	10%
Voltage DC	50 VDC (85C), 40 VDC (125C Surge), 0.5 VDC (125C Reverse)
Temperature Range	-55/+125°C
Rated Temperature	85°C
Dissipation Factor	6%
Leakage Current	10 uA (25°C)

Statements of suitability for certain applications are based on our knowledge of typical operating conditions for such applications, but are not intended to constitute - and we specifically disclaim - any warranty concerning suitability for a specific customer application or use. This information is intended for use only by customers who have the requisite experience and capability to determine the correct products for their application. Any technical advice inferred from this information or otherwise provided by us with reference to the use of our products is given gratis, and we assume no obligation or liability for the advice given or results obtained.