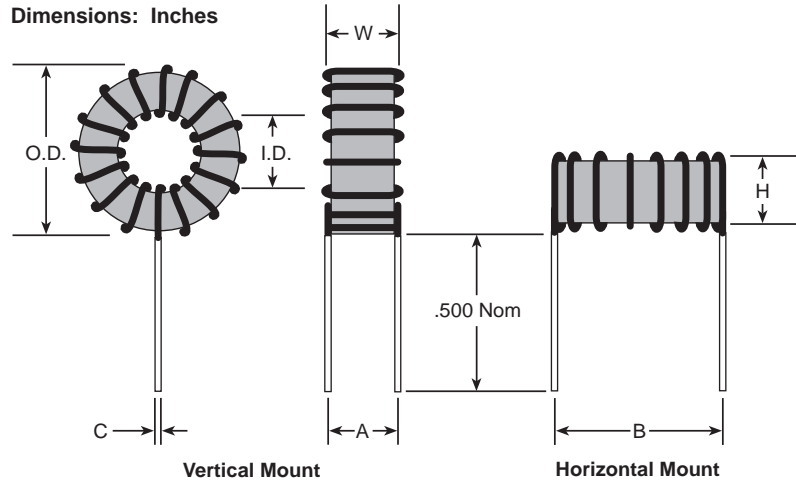
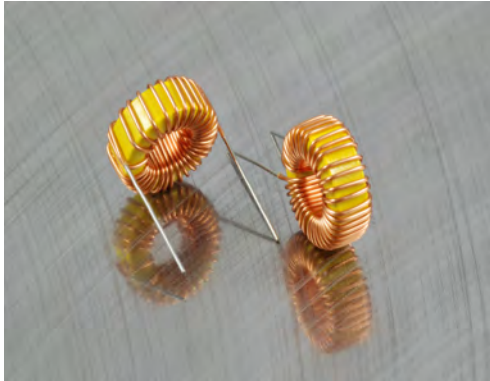




Toroidal Chokes

TC100



Allied Part Number	Inductance (μH ±20%)	DCR Max (Ω)	Rated Current Max (A)	Isat (A)	OD (Nom)	ID (Nom)	W/H (Nom)	Dim.A (Nom)	Dim.B (Nom)	Dim.C (Nom)
()TC100-1R0M-RC	1.0	.004	5	9.00	.58	.25	.262	.250	.650	.047
()TC100-1R2M-RC	1.2	.004	5	8.50	.58	.25	.262	.250	.650	.047
()TC100-1R5M-RC	1.5	.005	5	8.50	.58	.25	.262	.255	.650	.047
()TC100-1R8M-RC	1.8	.005	5	8.50	.58	.25	.262	.255	.650	.047
()TC100-2R2M-RC	2.2	.007	5	8.00	.58	.25	.262	.255	.650	.047
()TC100-2R7M-RC	2.7	.007	5	8.00	.58	.25	.262	.255	.650	.047
()TC100-3R3M-RC	3.3	.008	5	8.00	.58	.25	.262	.255	.650	.047
()TC100-3R9M-RC	3.9	.009	5	8.00	.58	.25	.262	.255	.650	.047
()TC100-4R7M-RC	4.7	.010	5	6.50	.60	.22	.28	.255	.650	.047
()TC100-5R6M-RC	5.6	.011	4.5	6.50	.60	.22	.28	.260	.650	.039
()TC100-6R8M-RC	6.8	.012	4.5	6.00	.60	.22	.28	.260	.650	.039
()TC100-8R2M-RC	8.2	.013	4.5	6.00	.60	.22	.28	.270	.650	.039
()TC100-100M-RC	10	.014	4.5	5.50	.60	.22	.28	.280	.655	.039
()TC100-120M-RC	12	.018	4.0	5.00	.60	.22	.28	.280	.655	.039
()TC100-150M-RC	15	.020	4.0	5.00	.60	.22	.28	.285	.655	.039
()TC100-180M-RC	18	.025	3.5	4.00	.60	.22	.28	.285	.640	.031
()TC100-220M-RC	22	.029	3.5	3.90	.60	.22	.28	.285	.640	.031
()TC100-270M-RC	27	.035	3.5	3.40	.60	.22	.28	.285	.640	.031
()TC100-330M-RC	33	.040	2.5	2.80	.60	.22	.28	.270	.620	.026
()TC100-390M-RC	39	.060	2.5	2.60	.60	.22	.28	.270	.620	.026
()TC100-470M-RC	47	.095	2.5	2.40	.60	.22	.28	.270	.620	.026
()TC100-560M-RC	56	.120	2.5	2.10	.56	.23	.24	.270	.620	.026
()TC100-680M-RC	68	.125	2.0	1.90	.56	.23	.24	.280	.640	.026
()TC100-820M-RC	82	.200	1.7	1.70	.56	.23	.24	.280	.640	.024
()TC100-101M-RC	100	.250	1.7	1.65	.56	.23	.24	.280	.640	.022
()TC100-121M-RC	120	.310	1.5	1.40	.56	.23	.24	.260	.620	.020
()TC100-151M-RC	150	.420	1.5	1.40	.56	.23	.24	.250	.585	.018
()TC100-181M-RC	180	.490	1.5	1.30	.56	.23	.24	.245	.580	.016
()TC100-221M-RC	220	.590	1.0	1.00	.56	.23	.24	.237	.555	.014
()TC100-271M-RC	270	.640	1.0	1.00	.56	.23	.24	.235	.555	.012
()TC100-331M-RC	330	.660	0.7	0.60	.56	.23	.24	.240	.560	.012
()TC100-391M-RC	390	.740	0.7	0.60	.56	.23	.24	.240	.560	.012
()TC100-471M-RC	470	.880	0.7	0.60	.56	.23	.24	.258	.590	.012
()TC100-561M-RC	560	.990	0.7	0.60	.56	.23	.24	.258	.590	.012
()TC100-681M-RC	680	1.10	0.5	0.50	.56	.23	.24	.258	.590	.012
()TC100-821M-RC	820	1.30	0.5	0.50	.56	.23	.24	.260	.590	.011
()TC100-102M-RC	1000	1.60	0.5	0.50	.56	.23	.24	.255	.595	.010

Features

- Pre-tinned Copper Leads
- Vertical and Horizontal mounting options available
- Low Cost Construction
- Varnished Windings

Typical Applications

- Switching Power Supplies
- Hash Choke Applications
- EMI/RFI Filtering

Electrical

Inductance Range: 1μH - 1000μH
Tolerance: 20% over entire range
Test Frequency: 1KHz, 0.01V
Operating Temp: -55°C to +105°C
Rated Current: Continuous operation at room temp, will not decrease inductance by more than 10%
Isat: The Current at which the Inductance will drop by 10% typically

Available Options Include:

- Tighter Tolerances
- Custom Inductance Values
- Custom Current Ratings
- Custom PC Mounts, including Surface Mounts

Please specify Vertical or Horizontal Mount by placing a V or H at the beginning of the part number, i.e. VTC100-1R0M (Vertical Mount). All specifications subject to change without notice.