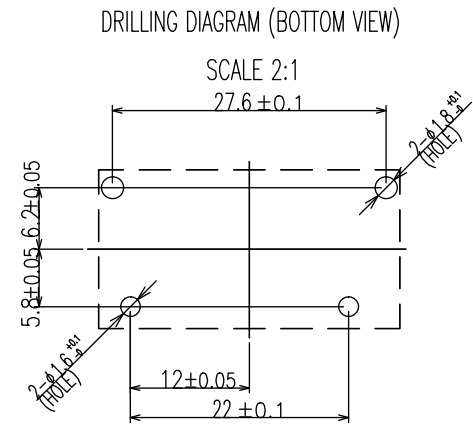
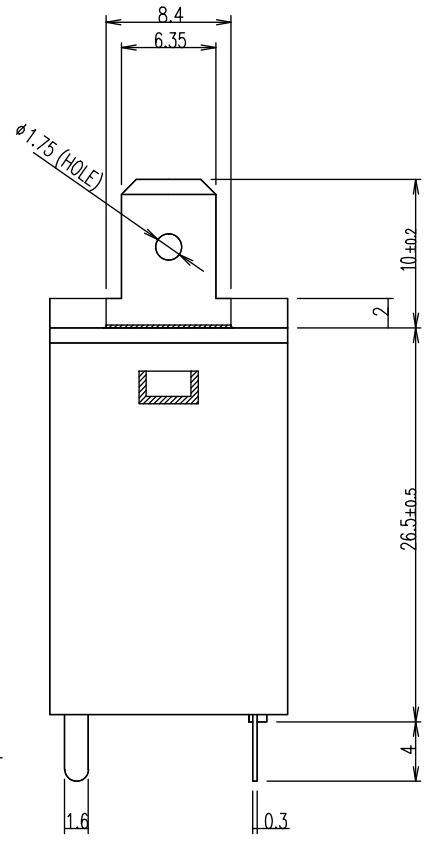
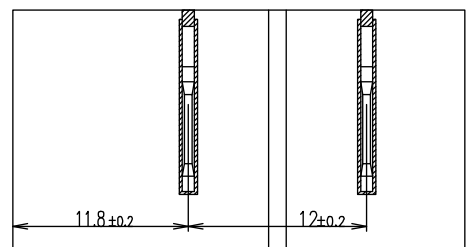
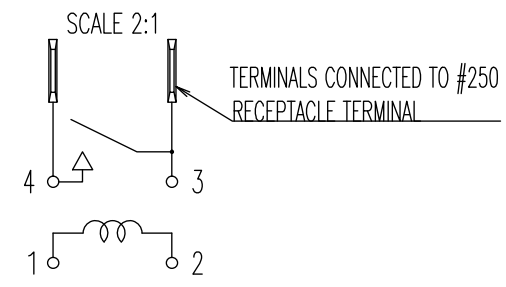


THIS DRAWING IS UNPUBLISHED. RELEASED FOR PUBLICATION
 COPYRIGHT - By - ALL RIGHTS RESERVED.

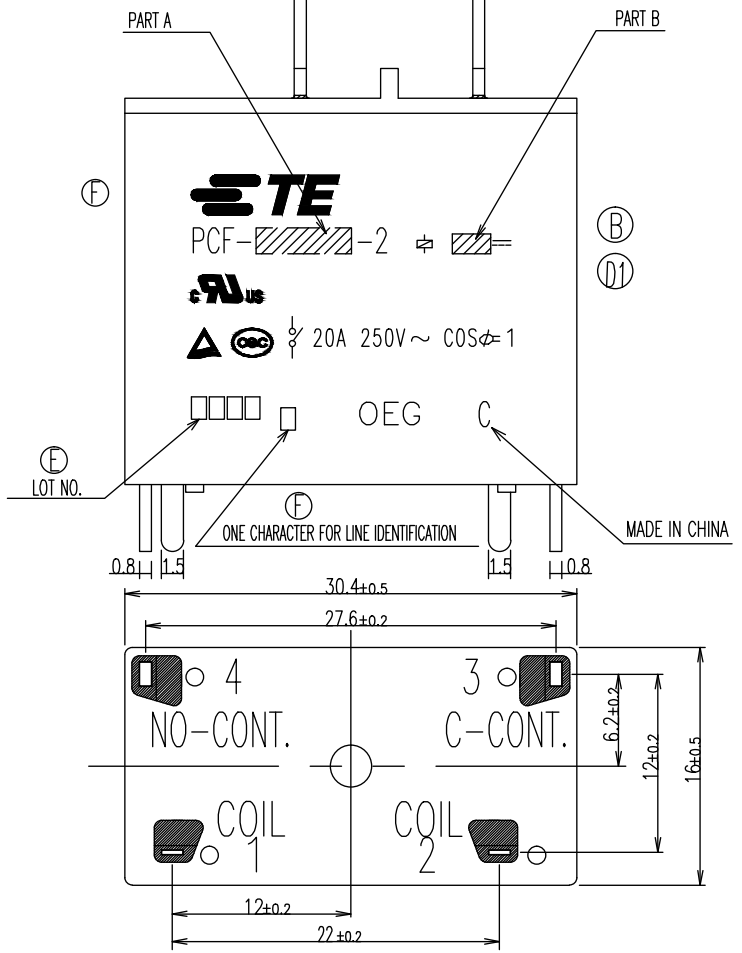
| LOC | | DIST | | REVISIONS | | | |
|-----|-----|---|-----------|-----------|------|--|--|
| P | LTR | DESCRIPTION | DATE | DWN | APVD | | |
| E | | CHANGE DATE CODE & TE LOGO ECO-08-007869 | 16-APR-08 | CY.Z | BH.Y | | |
| F | | TE LOGO CHANGE; TERMINALS TOLERANCE CLARIFICATION; ADD LINE IDENTIFIER TO MARKING; PN OBSOLETE. ECO-12-008675 | 22-AUG-12 | K.T | BH.Y | | |



CONNECTION DIAGRAM (BOTTOM VIEW)



| DIAGRAM DIMENSION | TOLERANCE |
|-------------------|-----------|
| 0.99mm MAX. | ±0.1mm |
| 1 - 2.99mm | ±0.2mm |
| 3mm MIN. | ±0.3mm |



THIS DRAWING IS A CONTROLLED DOCUMENT.

| DIMENSIONS: | TOLERANCES UNLESS OTHERWISE SPECIFIED: |
|-------------|--|
| mm | |
| | ± |
| | ± |
| | ± |
| | ± |
| | ± |
| | ± |
| MATERIAL | FINISH |
| - | - |

| | | | | |
|------------------|---------------------------|-----------|------------|---------------|
| DWN K.OKADO | TE TE Connectivity | | | |
| CHK H.SASAKI | | | | |
| APVD A.NAGAI | NAME | | | |
| PRODUCT SPEC | PCF-D1M-2(VA TYPE) | | | |
| APPLICATION SPEC | SIZE | CAGE CODE | DRAWING NO | RESTRICTED TO |
| - | A3 | 00779 | C=1461477 | - |
| WEIGHT | SCALE 3:1 | | | SHEET 1 OF 2 |
| CUSTOMER DRAWING | REV F | | | |

4

3

2

1

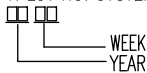
THIS DRAWING IS UNPUBLISHED. RELEASED FOR PUBLICATION
 © COPYRIGHT - By - ALL RIGHTS RESERVED.

| LOC | DIST | REVISIONS | | | |
|-----|------|-------------|------|-----|------|
| P | LTR | DESCRIPTION | DATE | DWN | APVD |
| - | - | SEE SHEET 1 | - | - | - |

| | | | | | | | | | |
|---|-----------|------------|-------------------|--------------|--------------|--------|--------|------|---|
| Ⓕ | OBSOLETE | 1461477-8 | PCF-112D1M-2,400 | 108-79550 | 107-79012 | 12 | 112D1M | h | Ⓐ |
| | ACTIVE | 1461477-7 | PCF-112D1M-2,000B | 108-79550 | 107-79040 | 12 | 112D1M | g | Ⓐ |
| Ⓕ | OBSOLETE | 1461477-6 | PCF-148D1M-2,000 | 108-79552 | 107-79012 | 48 | 148D1M | f | |
| Ⓕ | OBSOLETE | 1461477-5 | PCF-124D1M-2,000 | 108-79551 | | 24 | 124D1M | e | |
| | ACTIVE | 1461477-4 | PCF-112D1M-2,000 | 108-79550 | | 12 | 112D1M | d | |
| Ⓕ | OBSOLETE | 1461477-3 | PCF-109D1M-2,000 | 108-79549 | | 9 | 109D1M | c | |
| Ⓕ | OBSOLETE | 1461477-2 | PCF-106D1M-2,000 | 108-79548 | | 6 | 106D1M | b | |
| Ⓕ | OBSOLETE | 1461477-1 | PCF-105D1M-2,000 | 108-79547 | | 5 | 105D1M | a | |
| | PN STATUS | TE PART NO | DESCRIPTION | PRODUCT SPEC | PACKING SPEC | PART B | PART A | TYPE | |

RELAY TYPE

NOTES:
 Ⓕ 1. LOT NO. SYSTEM AS FOLLOWING:



- Ⓕ 2. ONE CHARACTER DISTINGUISH THE LINE IDENTITY, SUCH AS: A, B..
- Ⓕ 3. TERMINAL DIMENSION IS BEFORE SOLDER DIP.
- Ⓕ 4. FOR THE TIN-PLATING OF THE PINS:
 +0.1mm FOR WIDTH, THICKNESS AND DIAMETER.
 +0.5mm FOR LENGTH.

| P.B.T | CASE | ITEM |
|-------------|--------------------------|------|
| 3JEW | MAGNETIC WIRE | 16 |
| EPOXY RESIN | SEAL | 15 |
| Cu ALLOY | HINGE SPRING | 14 |
| Cu ALLOY | COIL TERMINAL L | 13 |
| Cu ALLOY | COIL TERMINAL R | 12 |
| Ag ALLOY | C CONTACT | 11 |
| Ag ALLOY | M CONTACT | 10 |
| Cu ALLOY | C SPRING | 9 |
| Cu ALLOY | C TERMINAL (PLATED TYPE) | 8 |
| Cu ALLOY | C TERMINAL | |
| Cu ALLOY | M TERMINAL (PLATED TYPE) | 7 |
| Cu ALLOY | M TERMINAL | |
| P.P.S | CARD | 6 |
| P.B.T | BOBBIN | 5 |
| P.B.T | BASE | 4 |
| STEEL | CORE | 3 |
| STEEL | ARMATURE | 2 |
| STEEL | YOKE | 1 |
| MATERIAL | DESCRIPTION | ITEM |

| | | | | | | |
|---|--|----------------------------------|--------------------|-----------|------------|---------------|
| THIS DRAWING IS A CONTROLLED DOCUMENT. | | DWN K.OKADO | TE Connectivity | | | |
| DIMENSIONS: mm | | CHK H.SASAKI | | | | |
| TOLERANCES UNLESS OTHERWISE SPECIFIED: | | APVD A.NAGAI | NAME | | | |
| 0 PLC ± - 1 PLC ± - 2 PLC ± - 3 PLC ± - 4. PLC ANGLES ± - | | PRODUCT SPEC SEE PRODUCT SPEC | PCF-D1M-2(VA TYPE) | | | |
| MATERIAL | | APPLICATION SPEC | SIZE | CAGE CODE | DRAWING NO | RESTRICTED TO |
| FINISH | | WEIGHT | A3 | 00779 | C=1461477 | - |
| CUSTOMER DRAWING | | | SCALE | SHEET | REV | |
| | | | 3:1 | 2 OF 2 | F | |