

# MULTILAYER CHIP SUPPRESSORS (CHIP BEADS)

## - FBH SERIES -

### FEATURES

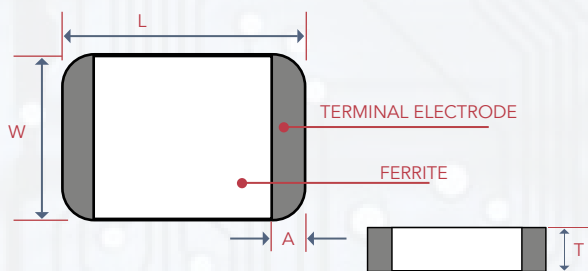
- FBH Series for DC Power Line
- Rated Current: 1-3.5A
- Operating Temp -55 - 125°C
- The FBH series can be used on high current circuits due to its low DC resistance. It can match power lines to a maximum of 3.5A DC.



### APPLICATIONS

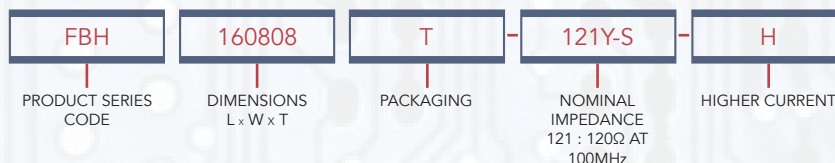
- High current DC Power Line EMI suppress. Examples:
  - CD-ROM'S
  - Hard Drives
  - Modems
  - Monitors
  - Motherboards
  - Printers

### SHAPES AND DIMENSIONS



SHAPE	L (MM)	W (MM)	T (MM)	A (MM)
100505 (0402)	1.0 ± 0.05	0.5 ± 0.05	0.5 ± 0.05	0.1~0.3
160808 (0603)	1.6 ± 0.15	0.8 ± 0.15	0.8 ± 0.15	0.2~0.6
201209 (0805)	2.0 ± 0.2	1.25 ± 0.2	0.9+0.15/-0.2	0.2~0.8
321611 (1206)	3.2 ± 0.2	1.6 ± 0.2	1.1 ± 0.2	0.4~1.0
322513 (1210)	3.2 ± 0.2	2.5 ± 0.2	1.3 ± 0.2	0.6~1.0
451616 (1806)	4.5 ± 0.2	1.6 ± 0.2	1.6 ± 0.2	0.6~1.0
453215 (1812)	4.5 ± 0.2	3.2 ± 0.2	1.5 ± 0.2	0.6~1.0

### ORDERING INFORMATION



### EQUIVALENT CIRCUIT DIAGRAM

- FBH series for DC Power Line
- Rated Current: 1-35 A



### PACKAGING GUIDE

SERIES	PART NUMBER	PCS PER REEL
FBH	100505 (0402)	10000 /R
FBH	160808 (0603)	4000 /R
FBH	201209 (0805)	4000 /R
FBH	321611 (1206)	3000 /R
FBH	322513 (1210)	2000 /R
FBH	451616 (1806)	2000 /R
FBH	453215 (1812)	1000 /R

## ELECTRICAL CHARACTERISTICS - 1005

PART NUMBER	IMPEDANCE ( $\Omega$ ) $\pm 25\%$ [100MHz]	DC RESISTANCE $\Omega$ (MAX)	RATED CURRENT mA (MAX)
FBH100505T-100Y-S	10	0.03	2000
FBH100505T-300Y-S	30	0.05	1700
FBH100505T-300Y-S-H	30	0.03	3000
FBH100505T-330Y-S	33	0.04	3000
FBH100505T-600Y-S	60	0.075	1500
FBH100505T-600Y-S-H	60	0.07	2500
FBH100505T-700Y-S	70	0.09	1200
FBH100505T-800Y-S	80	0.1	1000
FBH100505T-101Y-S	100	0.09	1200
FBH100505T-121Y-S	120	0.09	1200
FBH100505T-121Y-S-H	120	0.09	2000
FBH100505T-181Y-S	180	0.14	1000
FBH100505T-221Y-S	220	0.15	1500
FBH100505T-331Y-S	330	0.15	1200

## ELECTRICAL CHARACTERISTICS - 1608

PART NUMBER	IMPEDANCE ( $\Omega$ ) $\pm 25\%$ [100MHz]	DC RESISTANCE $\Omega$ (MAX)	RATED CURRENT mA (MAX)
FBH160808T-190Y-S	19	0.04	3000
FBH160808T-220Y-S	22	0.04	3000
FBH160808T-300Y-S	30	0.04	3000
FBH160808T-310Y-S	31	0.04	3000
FBH160808T-330Y-S	33	0.04	3000
FBH160808T-500Y-S	50	0.04	3000
FBH160808T-600Y-S	60	0.04	3000
FBH160808T-600Y-S-H	60	0.02	3500
FBH160808T-700Y-S	70	0.04	3000
FBH160808T-800Y-S	80	0.04	3000
FBH160808T-101Y-S	100	0.04	3000
FBH160808T-121Y-S	120	0.04	3000
FBH160808T-151Y-S	150	0.04	3000
FBH160808T-181Y-S	180	0.06	2000
FBH160808T-221Y-S	220	0.08	2000
FBH160808T-221Y-S-H	220	0.05	3000
FBH160808T-301Y-S	300	0.1	2000
FBH160808T-331Y-S	330	0.15	2000
FBH160808T-471Y-S	470	0.2	1000
FBH160808T-471Y-S-H	470	0.15	1500
FBH160808T-601Y-S	600	0.3	1200
FBH160808T-601Y-S-H	600	0.1	2000
FBH160808T-102Y-S	1000	0.25	1000



## ELECTRICAL CHARACTERISTICS - 2012

PART NUMBER	IMPEDANCE ( $\Omega$ ) $\pm 25\%$ [100MHz]	DC RESISTANCE $\Omega$ (MAX)	RATED CURRENT mA (MAX)
FBH201209T-070Y-S	7	0.03	3000
FBH201209T-100Y-S	10	0.03	3000
FBH201209T-170Y-S	17	0.03	3000
FBH201209T-300Y-S	30	0.04	3000
FBH201209T-310Y-S	31	0.03	3000
FBH201209T-470Y-S	47	0.03	3000
FBH201209T-500Y-S	50	0.03	3000
FBH201209T-520Y-S	52	0.03	3000
FBH201209T-600Y-S	60	0.04	3000
FBH201209T-800Y-S	80	0.04	3000
FBH201209T-101Y-S	100	0.04	3000
FBH201209T-121Y-S	120	0.05	3000
FBH201209T-151Y-S	150	0.04	3000
FBH201209T-181Y-S	180	0.05	3000
FBH201209T-221Y-S	220	0.05	3000
FBH201209T-301Y-S	300	0.05	3000
FBH201209T-331Y-S	330	0.05	3000
FBH201209T-421Y-S	420	0.2	1000
FBH201209T-471Y-S	471	0.1	2000
FBH201209T-601Y-S	600	0.1	2000
FBH201209T-751Y-S	750	0.12	1500
FBH201209T-102Y-S	1000	0.3	1000
FBH201209T-102Y-S-H	1000	0.15	1500
FBH201209T-122Y-S	1200	0.3	1000
FBH201209T-152Y-S	1200	0.3	1000
FBH201209T-152Y-S-H	1500	0.3	1500
FBH201209T-202Y-S-H	2000	0.2	1500

## ELECTRICAL CHARACTERISTICS - 3216

PART NUMBER	IMPEDANCE ( $\Omega$ ) $\pm 25\%$ [100MHz]	DC RESISTANCE $\Omega$ (MAX)	RATED CURRENT mA (MAX)
FBH321611T-190Y-S	19	0.03	3000
FBH321611T-310Y-S	31	0.03	3000
FBH321611T-500Y-S	50	0.04	3000
FBH321611T-520Y-S	52	0.03	3000
FBH321611T-600Y-S	60	0.03	3000
FBH321611T-700Y-S	70	0.04	3000
FBH321611T-800Y-S	80	0.04	3000
FBH321611T-900Y-S	90	0.04	3000
FBH321611T-101Y-S	100	0.04	3000
FBH321611T-121Y-S	120	0.05	3000
FBH321611T-151Y-S	150	0.05	3000
FBH321611T-181Y-S	180	0.05	3000

## ELECTRICAL CHARACTERISTICS - 3216 (cont.)

PART NUMBER	IMPEDANCE ( $\Omega$ ) $\pm 25\%$ [100MHz]	DC RESISTANCE $\Omega$ (MAX)	RATED CURRENT mA (MAX)
FBH321611T-201Y-S	200	0.05	3000
FBH321611T-221Y-S	220	0.05	3000
FBH321611T-301Y-S	300	0.06	3000
FBH321611T-391Y-S	390	0.09	2000
FBH321611T-471Y-S	470	0.2	1000
FBH321611T-471Y-S-H	470	0.09	2000
FBH321611T-501Y-S	500	0.07	2500
FBH321611T-501Y-S-H	500	0.06	3000
FBH321611T-601Y-S	600	0.08	2000
FBH321611T-601Y-S-H	600	0.07	2500
FBH321611T-102Y-S	1000	0.3	1000
FBH321611T-122Y-S	1000	0.2	1000

## ELECTRICAL CHARACTERISTICS - 3225

PART NUMBER	IMPEDANCE ( $\Omega$ ) $\pm 25\%$ [100MHz]	DC RESISTANCE $\Omega$ (MAX)	RATED CURRENT mA (MAX)
FBH322513T-520Y-S	52	0.03	3000
FBH322513T-600Y-S	60	0.03	3000
FBH322513T-102Y-S	1000	0.09	2000

## ELECTRICAL CHARACTERISTICS - 4516

PART NUMBER	IMPEDANCE ( $\Omega$ ) $\pm 25\%$ [100MHz]	DC RESISTANCE $\Omega$ (MAX)	RATED CURRENT mA (MAX)
FBH451616T-600Y-S	60	0.04	3000
FBH451616T-750Y-S	75	0.04	3000
FBH451616T-800Y-S	80	0.04	3000
FBH451616T-101Y-S	100	0.04	3000
FBH451616T-151Y-S	150	0.04	3000
FBH451616T-181Y-S	180	0.04	3000
FBH451616T-181Y-S-H	180	0.04	3500
FBH451616T-601Y-S	600	0.09	2000
FBH451616T-851Y-S	850	0.15	1500
FBH451616T-102Y-S	1000	0.09	1500




**ELECTRICAL CHARACTERISTICS - 4532**

PART NUMBER	IMPEDANCE ( $\Omega$ ) $\pm 25\%$ [100MHz]	DC RESISTANCE $\Omega$ (MAX)	RATED CURRENT mA (MAX)
FBH453215T-700Y-S	70	0.04	3000
FBH453215T-800Y-S	80	0.04	3000
FBH453215T-121Y-S	120	0.04	3000
FB453215T-131Y-S	130	0.04	3000
FBH453215T-151Y-S	150	0.04	3000

PART NUMBER	IMPEDANCE ( $\Omega$ ) $\pm 25\%$ [50MHz]	DC RESISTANCE $\Omega$ (MAX)	RATED CURRENT mA (MAX)
FBH453215T-601Y-S	600	0.04	3000

PART NUMBER	IMPEDANCE ( $\Omega$ ) $\pm 25\%$ [60MHz]	DC RESISTANCE $\Omega$ (MAX)	RATED CURRENT mA (MAX)
FBH453215T-132Y-S	1300	0.04	3000

# ENVIRONMENTAL CHARACTERISTICS

## ELECTRICAL PERFORMANCE TEST

ITEM	SPECIFICATION	TEST METHODS
Impedance	Refer to standard electrical spec.	- HP4286A
DCR		- HP 4338 digital mili-ohm meter

## MECHANICAL PERFORMANCE TEST

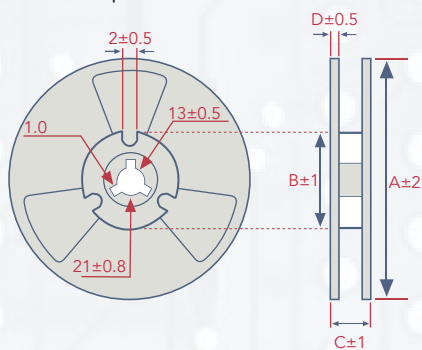
ITEM	SPECIFICATION	TEST METHODS
Substrate Bending Test	<ul style="list-style-type: none"> <li>- Without deformation cases</li> <li>- Impedance: within±30% of initial value</li> <li>- DC Resistance shall be satisfied</li> </ul>	<ul style="list-style-type: none"> <li>- Test device shall be soldered on the substrate</li> <li>- Substrate Dimension:100x40x0.8mm</li> <li>- Deflection: 3.0mm</li> <li>- Keeping Time: 10sec and then return</li> </ul>
Vibration	<ul style="list-style-type: none"> <li>- Appearance: No damage</li> <li>- Impedance: within±30% of initial value</li> <li>- DC Resistance shall be satisfied</li> </ul>	<ul style="list-style-type: none"> <li>- Test device shall be soldered on the substrate</li> <li>- Oscillation Frequency : 10 to 55 to 10Hz for 1min</li> <li>- Amplitude : 1.5mm(peak-peak)</li> <li>- Time : 2hrs for each axis (X,Y&amp;Z), total 6hrs</li> </ul>
Resistance to Soldering Heat	<ul style="list-style-type: none"> <li>- No visible damage</li> <li>- Electrical characteristics and mechanical characteristics shall be satisfied</li> </ul>	<ul style="list-style-type: none"> <li>- Solder temp: 265±5°C</li> <li>- Immersion time: 6±1sec</li> <li>- Preheating: 100°C to 150°C, 1 minute</li> <li>- Measured after exposure in the room condition for 24hrs</li> <li>- Solder: Sn-3Ag-0.5Cu</li> </ul>
Solderability	<ul style="list-style-type: none"> <li>- 95% min. coverage of all metallized area</li> </ul>	<ul style="list-style-type: none"> <li>- Solder Temperature: 240±5°C</li> <li>- Immersion Time: 3±1sec</li> <li>- Solder: Sn-3Ag-0.5Cu</li> </ul>
Terminal Strength	<ul style="list-style-type: none"> <li>- Without deformation cases</li> <li>- Impedance: within±30% of initial value</li> <li>- DC Resistance shall be satisfied</li> </ul>	<ul style="list-style-type: none"> <li>- Solder chip on PCB and applied 10N (1.02KgF) for 10 sec</li> </ul>
Temperature Cycle		<ul style="list-style-type: none"> <li>One cycle:                             <ul style="list-style-type: none"> <li>- One cycle/step1: -55±3°C for 30±3min</li> <li>step2: standard atmospheric conditions 5s or less</li> <li>step3:125±2°C for 30±3min</li> <li>step4: standard atmospheric conditions 5s or less</li> </ul> </li> <li>- Total: 100cycles</li> <li>- Measured after exposure in the room condition for 24hrs</li> </ul>
Humidity Resistance	<ul style="list-style-type: none"> <li>- Appearance: No damage</li> <li>- Impedance: within±30% of initial value DC Resistance shall be satisfied</li> </ul>	<ul style="list-style-type: none"> <li>- Temperature: 60±2°C</li> <li>- Relative Humidity: 90 ~ 95%</li> <li>- Applied Current: Rated Current(maximum value)</li> <li>- Time: 1008±12hrs</li> <li>- Measured after exposure in the room condition for 24hrs</li> </ul>
High Temperature Resistance		<ul style="list-style-type: none"> <li>- Temperature: 125±2°C</li> <li>- Applied Current: Rated Current(maximum value)</li> <li>- Time: 1008±12hrs</li> <li>- Measured after exposure in the room condition for 24hrs</li> </ul>
Low Temperature Storage Life Test		<ul style="list-style-type: none"> <li>- Temperature: -55±2°C</li> <li>- Time: 1008±12hrs</li> <li>- Measured after exposure in the room condition for 24hrs</li> </ul>
Thermal Shock		<ul style="list-style-type: none"> <li>- -55°C~125°C kept stabilized for 30 minutes each for 100 cycles</li> <li>- Measured after exposure in the room condition for 24hrs</li> </ul>

- Operating Temperature: -55°C ~ 125°C
- Storage Temperature: 15~28°C ; Humidity < 80%RH

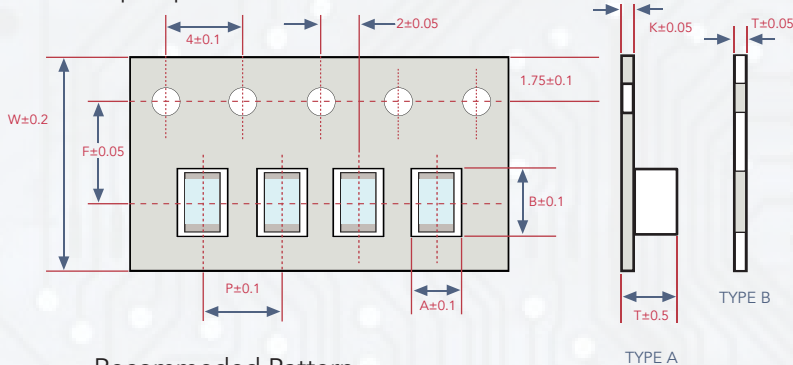


## PACKAGING

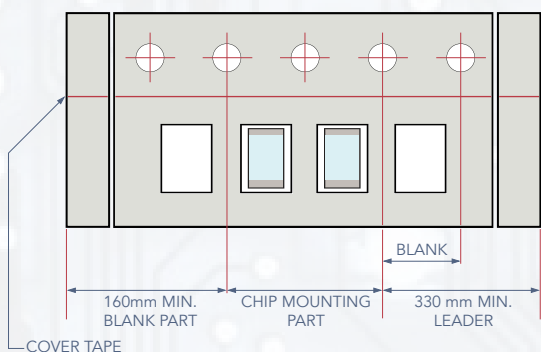
### - Reel Specifications



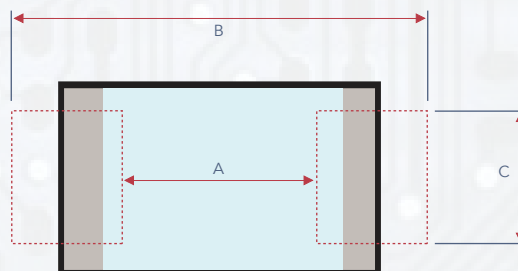
### - Tape Specifications



### - Tape Material



### - Recommended Pattern



Unit : mm

TYPE	TAPE DIMENSIONS								REEL DIMENSIONS				RECOMMENDED PATTERN			QUANTITY (EA)
	A	B	T	W	P	F	K	TAPE TYPE	A	B	C	D	A	B	C	
FBH100505	0.65	1.15	0.80	8.0	2.0	3.5	-	B	178	60	10	2	0.50	2.10	0.55	10000
FBH160808	1.10	1.90	1.10	8.0	4.0	3.5	-	B	178	60	10	2	0.60	2.60	0.80	4000
FBH201209	1.55	2.30	1.20	8.0	4.0	3.5	-	B	178	60	10	2	0.66	3.23	1.47	4000
FBH321611	1.90	3.50	1.40	8.0	4.0	3.5	0.2	A	178	60	10	2	2.20	4.40	2.06	3000
FBH321616	1.88	3.64	1.90	8.0	4.0	3.5	0.2	A	178	60	10	2	2.20	4.2-5.2	1.2	2000
FBH322513	2.90	3.60	1.70	8.0	4.0	3.5	0.2	A	178	60	10	2	2.13	4.06	2.74	2000
FBH451616	2.90	4.90	1.40	12	4.0	5.5	0.3	A	178	60	14	2	2.70	5.70	2.24	2000
FBH453215	3.60	4.90	2.05	12	8.0	5.5	0.3	A	178	60	14	2	2.57	5.90	4.22	1000

\*NOTE: Tape Type B denotes cardboard | Tape Type A denotes embossed plastic type

## SOLDERING CONDITION

### IR Reflow Soldering

(1) Time of IR reflow soldering at maximum temperature point 260°C zzz: 10s

(2) Time of soldering iron at maximum temperature point 280°C : 3s

