

CGJ3E2C0G1H560J080AA

TDK Item Description : CGJ3E2C0G1H560JT***

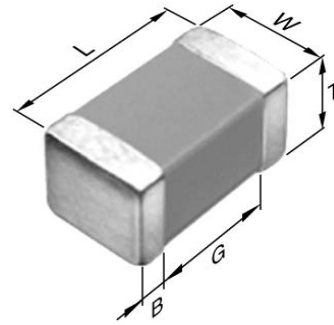


Application & Main Feature

High Reliability Grade (General (Up to 50V))

Series

CGJ3(1608) [EIA CC0603]



Dimensions

L 1.60mm +/-0.1mm
 W 0.80mm +/-0.1mm
 T 0.80mm +/-0.1mm
 B 0.20mm Min.
 G 0.30mm Min.

Temperature Characteristic

C0G (-55 to 125 degC 0+/-30ppm/degC)

Rated Voltage

1H (50Vdc)

Capacitance

56pF

Capacitance Tolerance

J (+/-5%)

Q Factor

1000 Min.

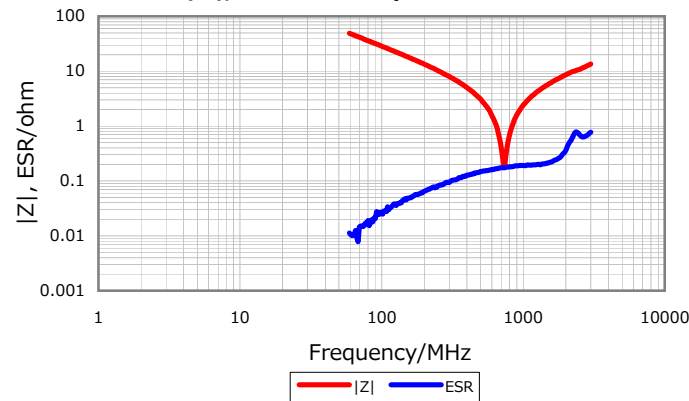
Insulation Resistance

10Gohm Min.

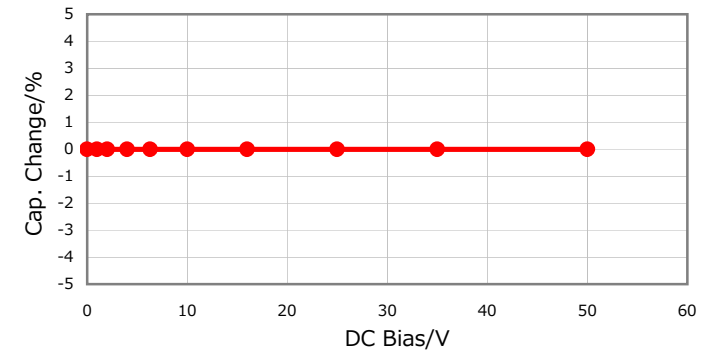
AEC-Q200

Yes

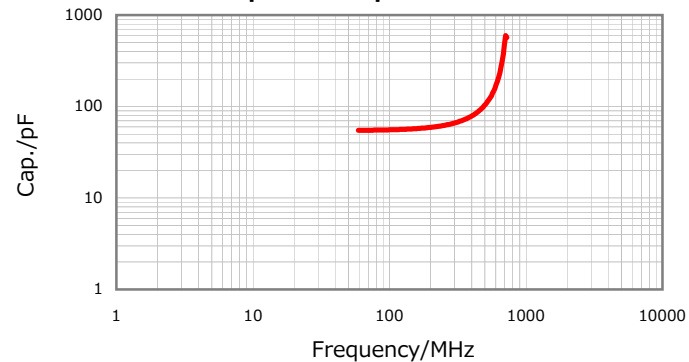
|Z|, ESR vs. Freq. Characteristics



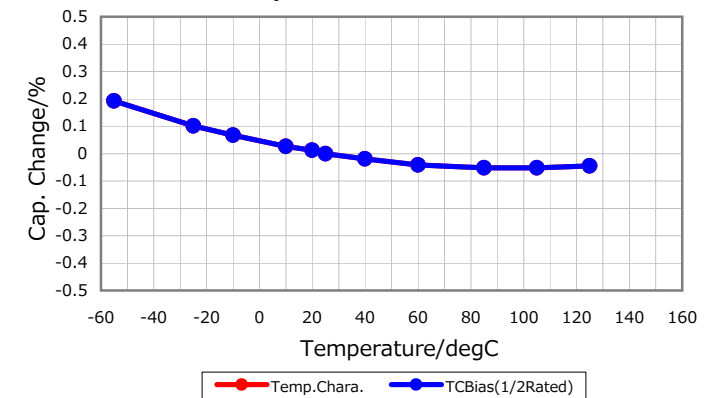
DC Bias Characteristic



Cap. vs. Freq. Characteristic



Temperature Characteristics



Characterization Sheet (Multilayer Ceramic Chip Capacitors)



All specifications are subject to change without notice.

January 4, 2016