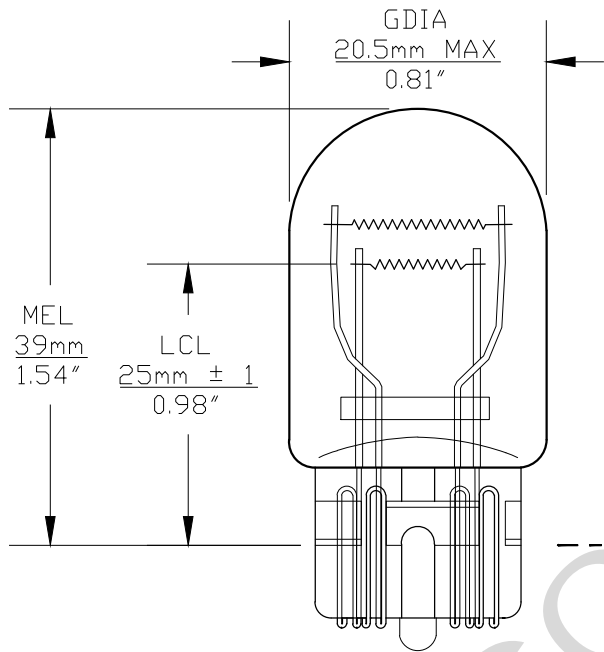
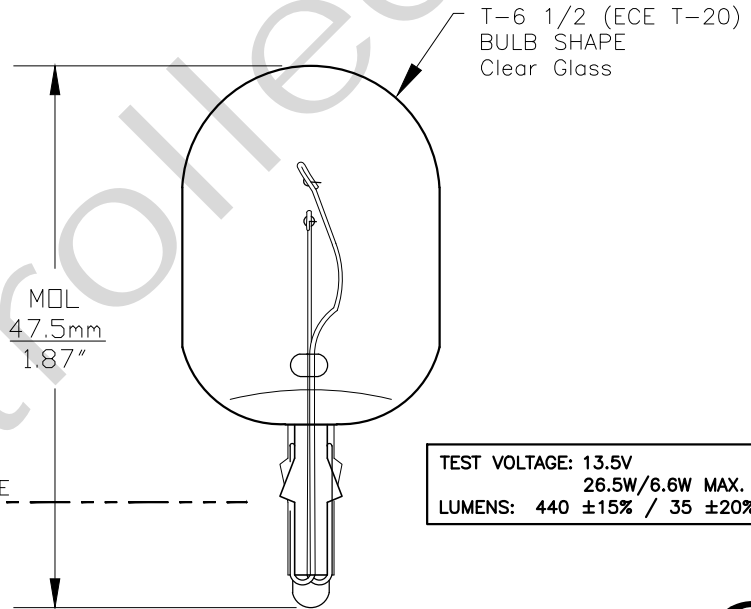




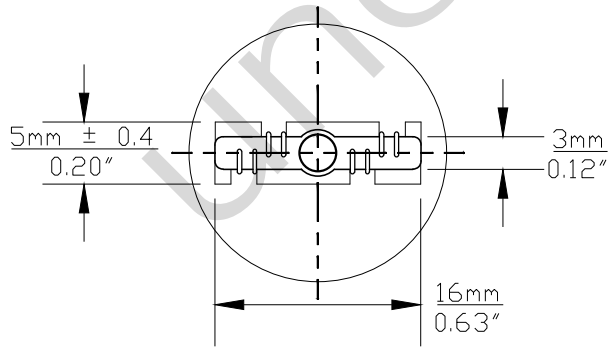
PART NO.	BASE TYPE	DESIGN VOLTS	DESIGN AMPS	MSCD	FILAMENT TYPE	AVERAGE LIFE HOURS	REVISIONS			
							REV #	DESCRIPTION	DATE	APPROVED
7443LL	Glass Wedge W3X16q (T-6 1/2)	13.5V	1.75±15% 0.42±15%	35±15% 2.78±15%	C-6 C-6	1000 2000	1	ISSUED	11/12/2008	D.C.
							2	REVISED LCL TOLERANCE	07/02/2012	D.C.
							3	ADDITIONAL VIEWS	06/30/2014	R.M.



0° VIEW



90° VIEW



BASE BOTTOM VIEW

TEST VOLTAGE: 13.5V
26.5W/6.6W MAX.
LUMENS: 440 ±15% / 35 ±20%



Note: Made according to ECE/R37 specifications

UNLESS OTHERWISE SPECIFIED: DIMENSIONS ARE IN INCHES TOLERANCES		CEC INDUSTRIES LTD	
DECIMALS .XX ± .05	ANGULAR ± 0.5°	599 BOND STREET	LINCOLNSHIRE, IL 60069
.XXX ± .010	FRACTIONAL ± 1/64	TITLE LIGHT BULB NO. 7443LL (W21/5W)	
DRAWN D. C.	DATE 11/12/2008	SIZE A	FSCM NO. DWG NO. 7443LL REV 3
CHECKED	DESIGN	SCALE	PLOT SCALE SHEET 1 OF 1
MATERIAL	FILE 7443LL.pdf	DRAWING NOT TO SCALE	