

1

2

3

4

A

A

B

B

C

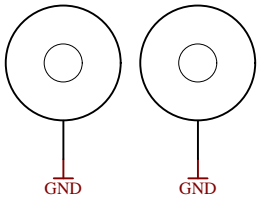
C

D

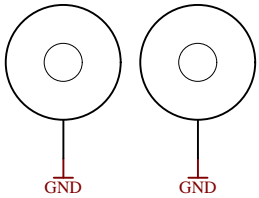
D

FPGA-MISC	FPGA-POWER
FPGA-MISC.SchDoc	FPGA-POWER.SchDoc
B13	DDR3-RAM
B13.SchDoc	DDR3-RAM.SchDoc
B34	B2B_Connector
B34.SchDoc	B2B_Connector.SchDoc
B35	Clock
B35.SchDoc	Clock.SchDoc
MIO-BANKS	ETH-PHY
MIO-BANKS.SchDoc	ETH-PHY.SchDoc
MGT	USB-PHY
MGT.SchDoc	USB-PHY.SchDoc
DDR-BANK	POWER
DDR-BANK.SchDoc	POWER.SchDoc
	POWER_2
	POWER_2.SchDoc

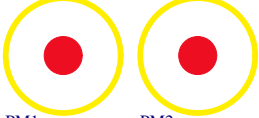
Mount.Hole 3.2mmMount.Hole 3.2mm



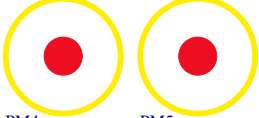
Mount.Hole 3.2mmMount.Hole 3.2mm



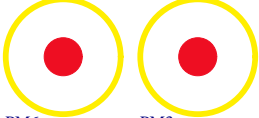
FIDU-DOT - smallFIDU-DOT - small



PM1 PM2
FIDU-DOT - smallFIDU-DOT - small

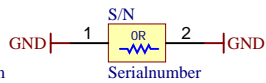


PM4 PM5
FIDU-DOT - smallFIDU-DOT - small



PM6 PM3

Serial
Serial
Serialnumber 6,3 x 6.3mm



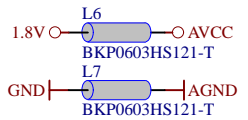
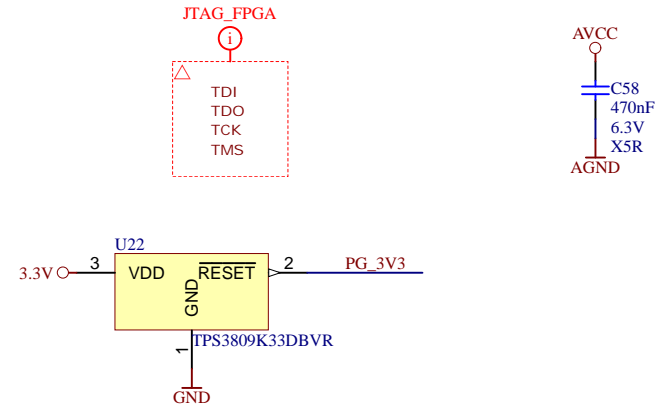
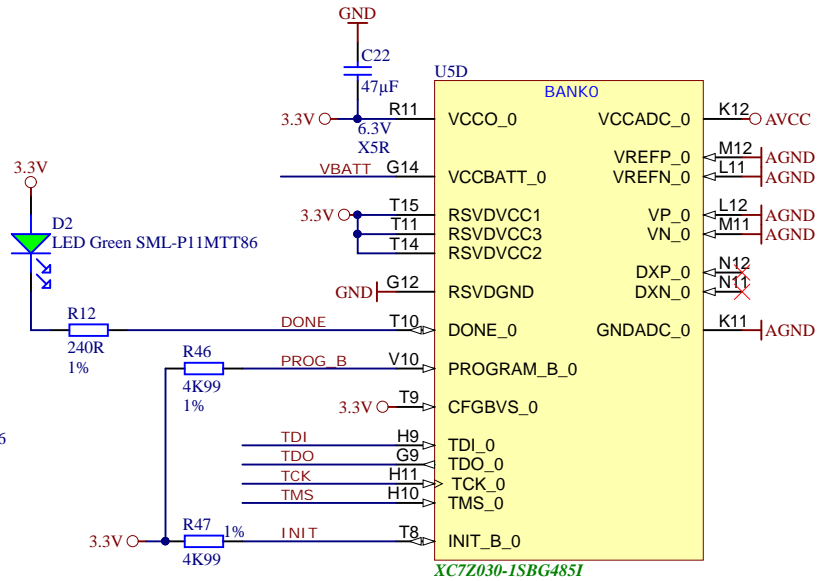
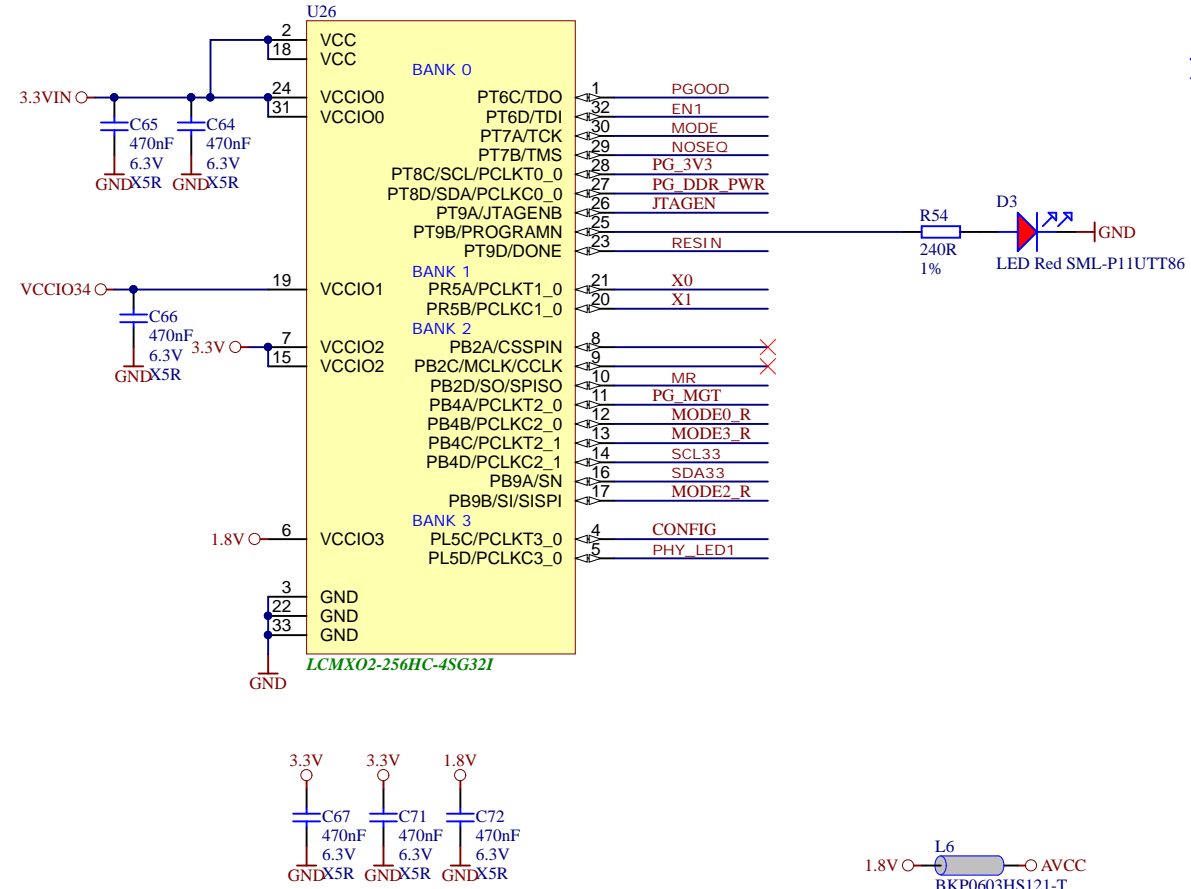
Title: TE0715 - Overview		
A4	Number: TE0715 TE0715-30-113	Rev. 04
Date: 2015-10-14	Copyright: Trenz Electronic GmbH / TT	Page1 of 15
Filename: TE0715.SchDoc		

1

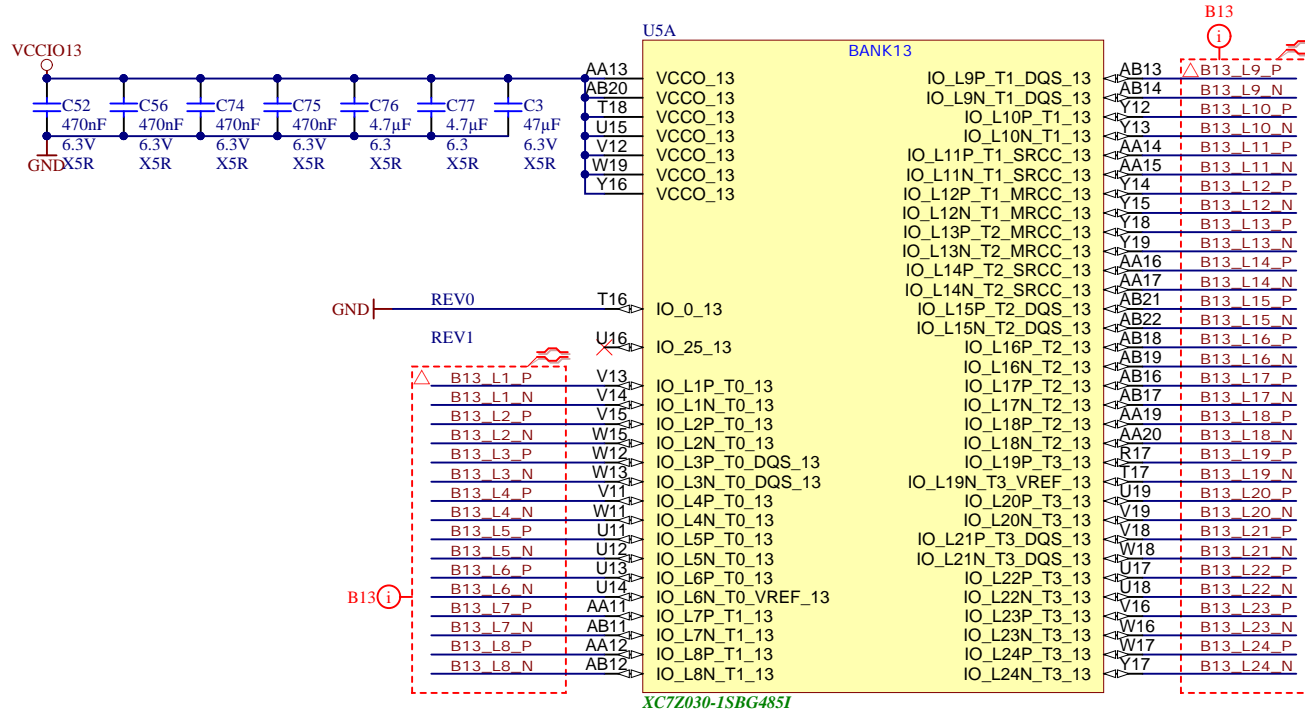
2

3


4

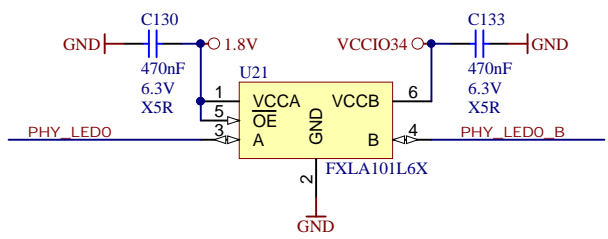
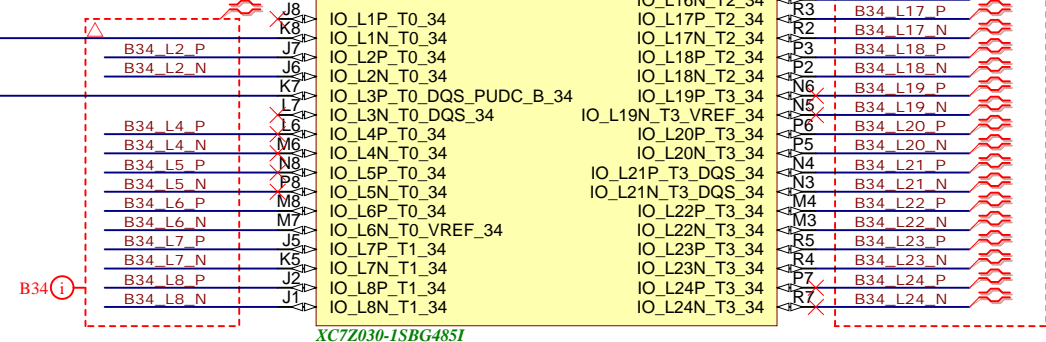
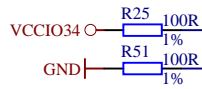
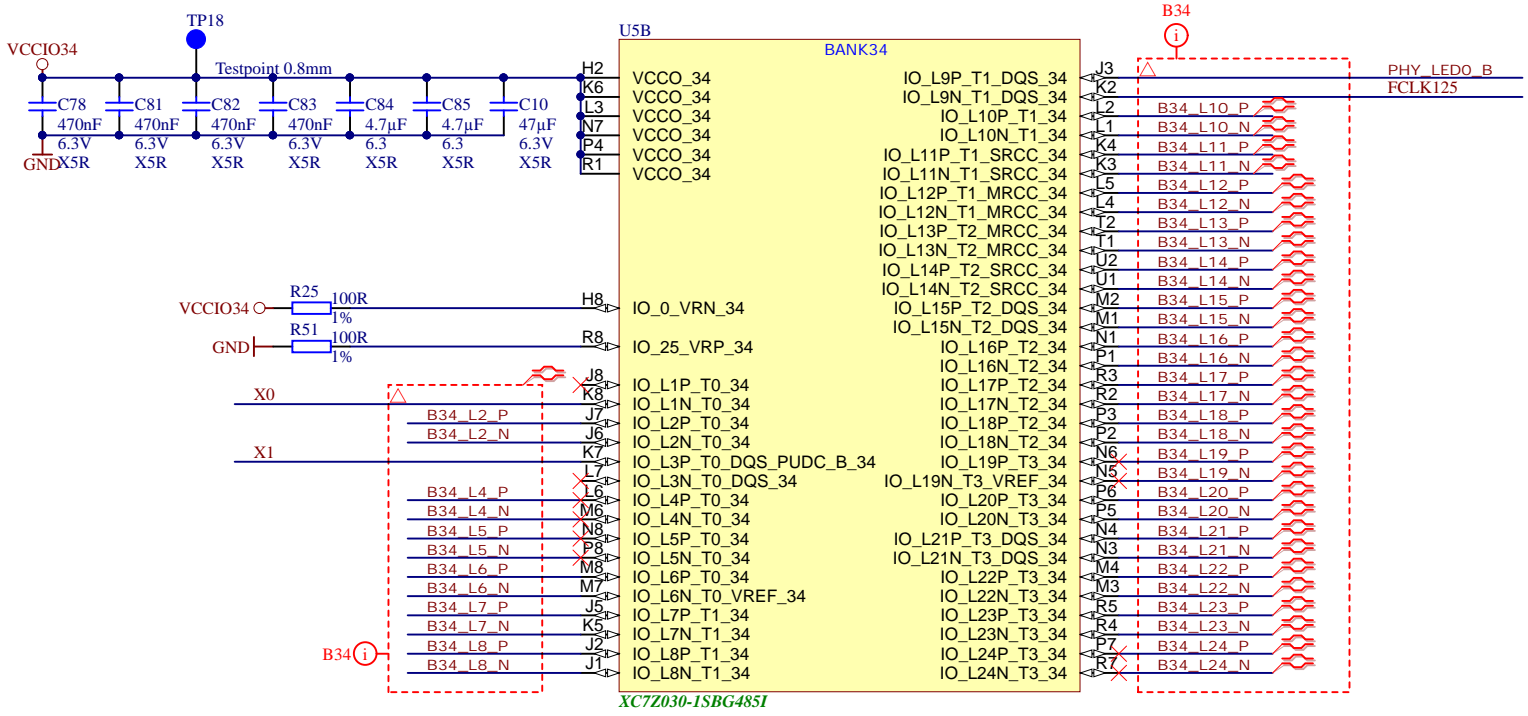


			Title: TE0715 - Config-MISC	
			A4	Number: TE0715 TE0715-30-113
Date: 2015-10-14		Copyright: Trenz Electronic GmbH / TT		Page2 of 15
Filename: FPGA-MISC.SchDoc				

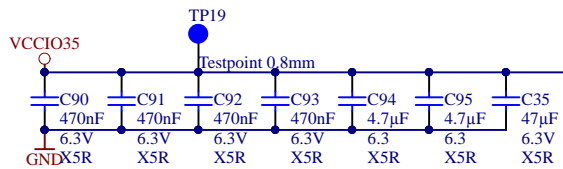


XC7Z030-1SBG4851

	Title: TE0715 - FPGA_B12		
	A4	Number: TE0715 TE0715-30-113	Rev. 04
	Date: 2015-10-14	Copyright: Trenz Electronic GmbH / TT	Page3 of 15
	Filename: B13.SchDoc		



Title: TE0715 - FPGA_B34		
A4	Number: TE0715 TE0715-30-113	Rev. 04
Date: 2015-10-14	Copyright: Trenz Electronic GmbH / TT	Page4 of 15
Filename: B34.SchDoc		

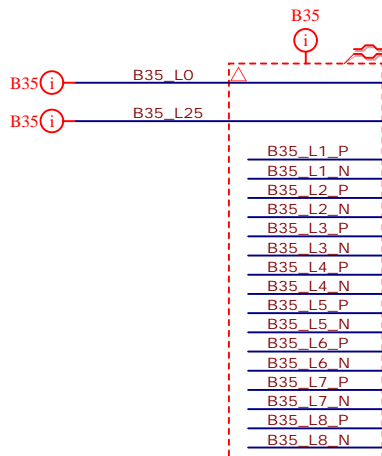


USC

BANK35

A3	VCCO_35	IO_L9P_T1_DQS_AD3P_35	A7	B35_L9_P
C7	VCCO_35	IO_L9N_T1_DQS_AD3N_35	A6	B35_L9_N
D4	VCCO_35	IO_L10P_T1_AD11P_35	A5	B35_L10_P
E1	VCCO_35	IO_L10N_T1_AD11N_35	A4	B35_L10_N
F8	VCCO_35	IO_L11P_T1_SRCC_35	C6	B35_L11_P
G5	VCCO_35	IO_L11N_T1_SRCC_35	C5	B35_L11_N
		IO_L12P_T1_MRCC_35	D5	B35_L12_P
		IO_L12N_T1_MRCC_35	C4	B35_L12_N
		IO_L13P_T2_MRCC_35	B4	B35_L13_P
		IO_L13N_T2_MRCC_35	B3	B35_L13_N
		IO_L14P_T2_AD4P_SRCC_35	D3	B35_L14_P
		IO_L14N_T2_AD4N_SRCC_35	C3	B35_L14_N
		IO_L15P_T2_DQS_AD12P_35	A2	B35_L15_P
		IO_L15N_T2_DQS_AD12N_35	A1	B35_L15_N
		IO_L16P_T2_35	D1	B35_L16_P
		IO_L16N_T2_35	C1	B35_L16_N
		IO_L17P_T2_AD5P_35	E2	B35_L17_P
		IO_L17N_T2_AD5N_35	D2	B35_L17_N
		IO_L18P_T2_AD13P_35	B2	B35_L18_P
		IO_L18N_T2_AD13N_35	B1	B35_L18_N
		IO_L19P_T3_35	H4	B35_L19_P
		IO_L19N_T3_35	H3	B35_L19_N
		IO_L19N_T3_VREF_35	G4	B35_L20_P
		IO_L20P_T3_AD6P_35	F4	B35_L20_N
		IO_L20N_T3_AD6N_35	F4	B35_L21_P
		IO_L21P_T3_DQS_AD14P_35	E3	B35_L21_N
		IO_L21N_T3_DQS_AD14N_35	E3	B35_L22_P
		IO_L22P_T3_AD7P_35	G3	B35_L22_P
		IO_L22N_T3_AD7N_35	G2	B35_L22_N
		IO_L23P_T3_35	F2	B35_L23_P
		IO_L23N_T3_35	F1	B35_L23_N
		IO_L24P_T3_AD15P_35	H1	B35_L24_P
		IO_L24N_T3_AD15N_35	G1	B35_L24_N

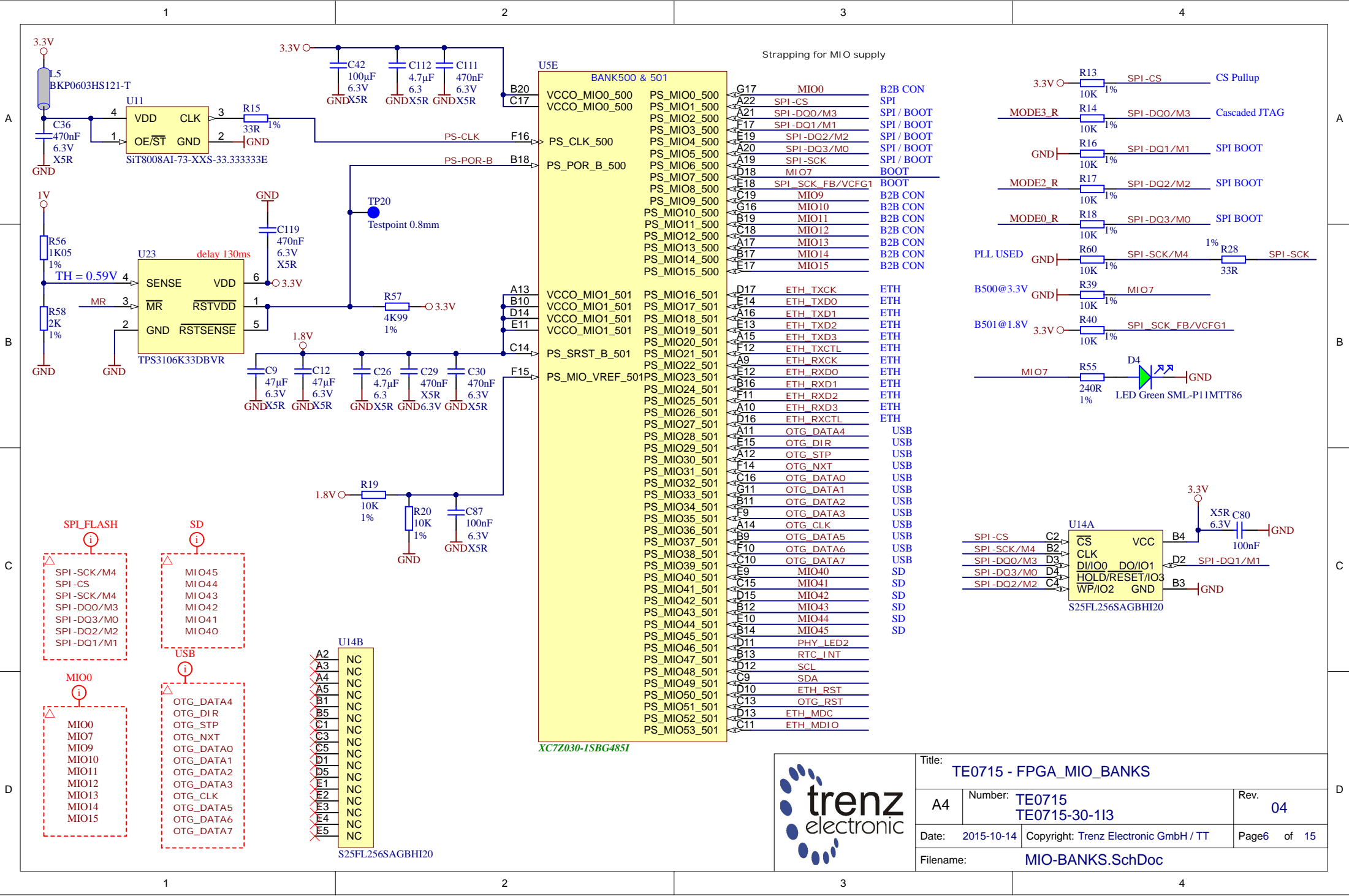
XC7Z030-1SBG485I



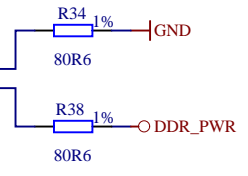
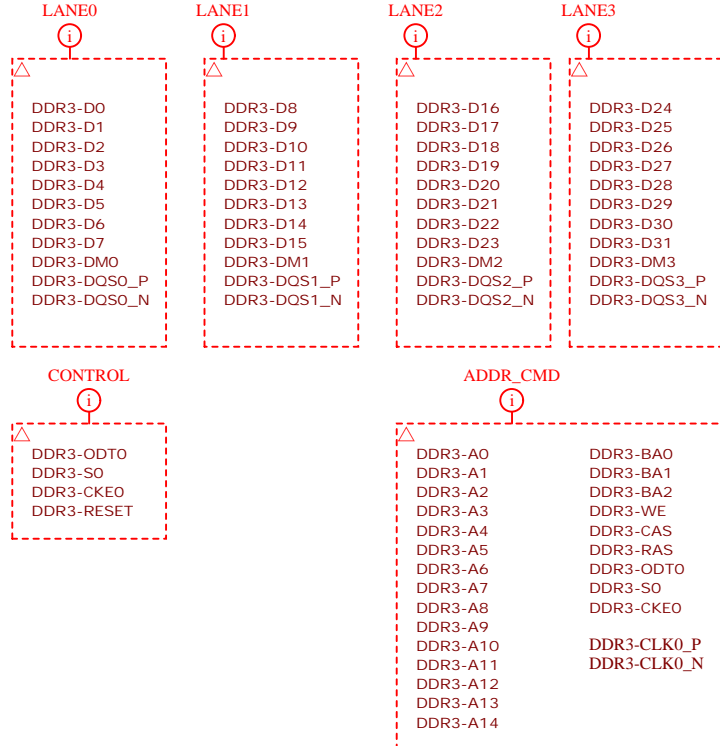
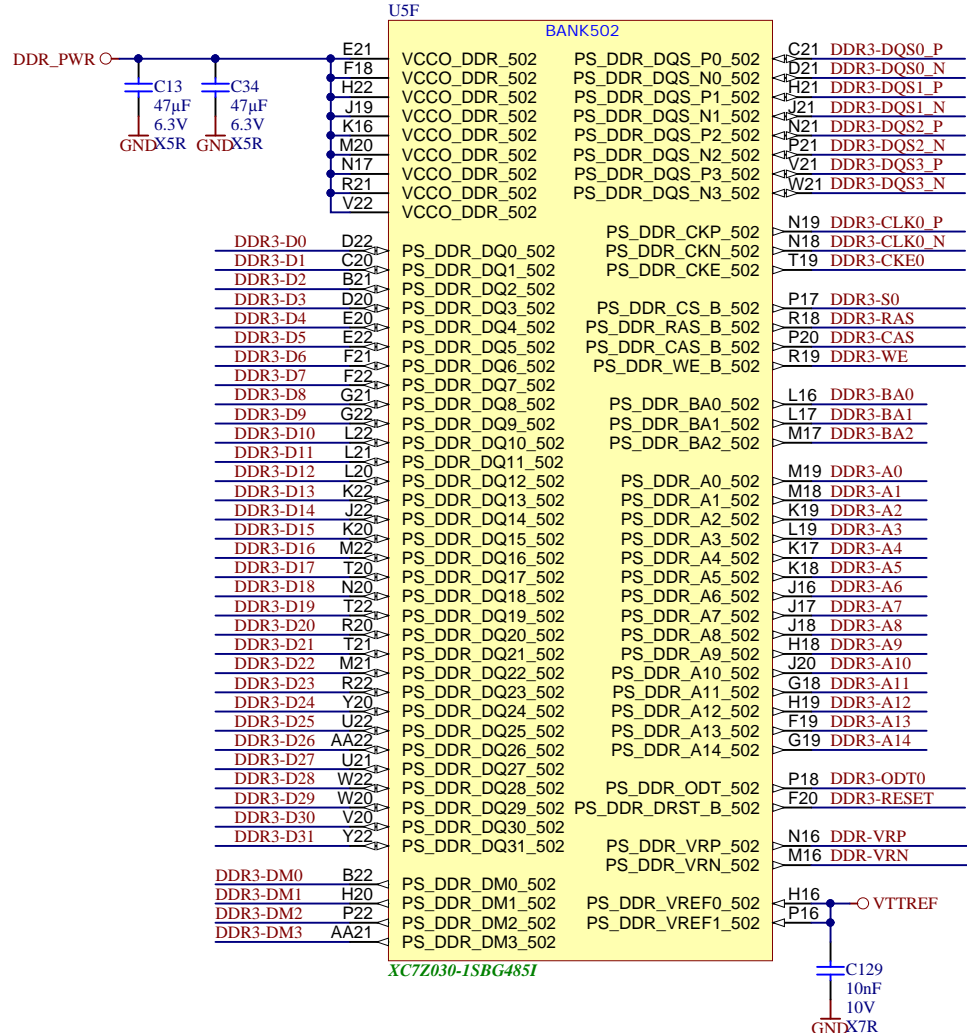
B35



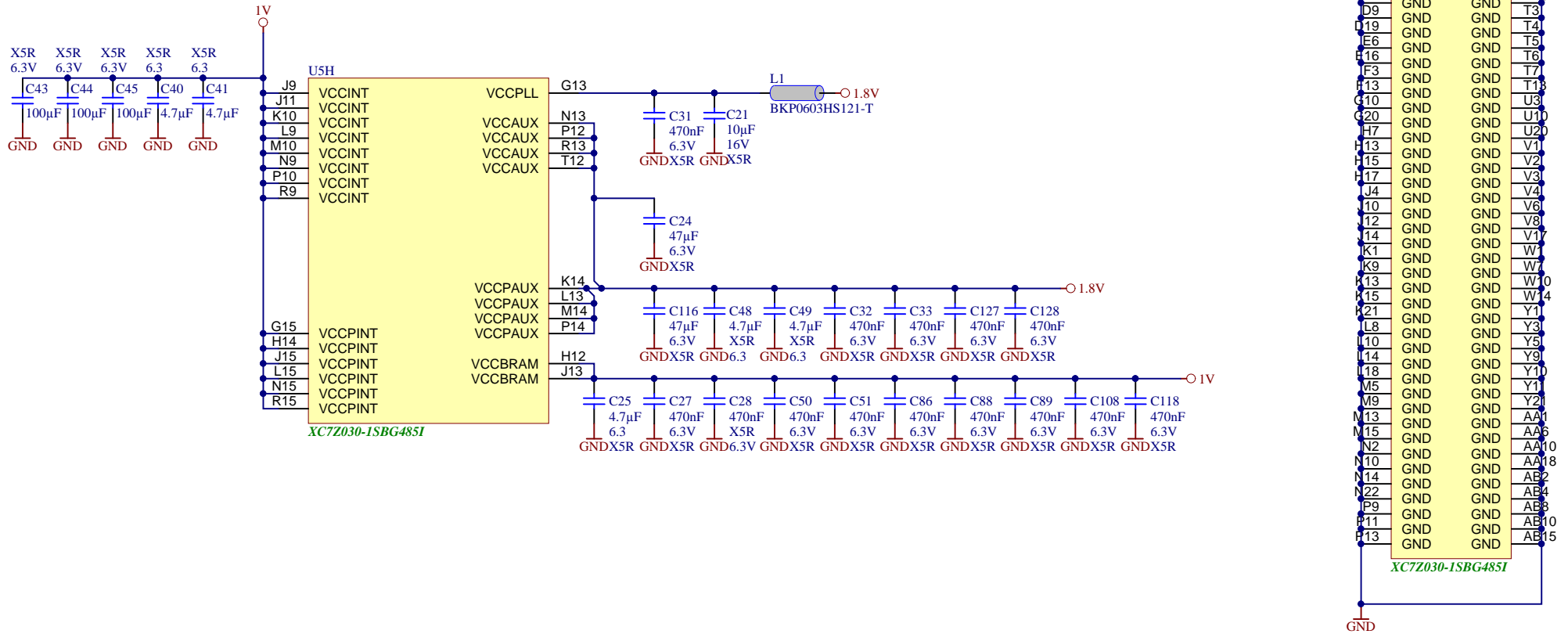
Title: TE0715 - FPGA_B35			
A4	Number: TE0715 TE0715-30-113	Rev. 04	
Date: 2015-10-14	Copyright: Trenz Electronic GmbH / TT	Page5 of 15	
Filename: B35.SchDoc			



Title: TE0715 - FPGA_MIO_BANKS		
A4	Number: TE0715 TE0715-30-113	Rev. 04
Date: 2015-10-14	Copyright: Trenz Electronic GmbH / TT	Page 6 of 15
Filename: MIO-BANKS.SchDoc		



	Title: TE0715 - FPGA_PS-DDR		
	A4	Number: TE0715 TE0715-30-113	Rev. 04
	Date: 2015-10-14	Copyright: Trenz Electronic GmbH / TT	Page7 of 15
	Filename: DDR-BANK.SchDoc		



Title: TE0715 - FPGA_Power		
A4	Number: TE0715 TE0715-30-113	Rev. 04
Date: 2015-10-14	Copyright: Trenz Electronic GmbH / TT	Page8 of 15
Filename: FGPA-POWER.SchDoc		

1

2

3

4

1

2

3

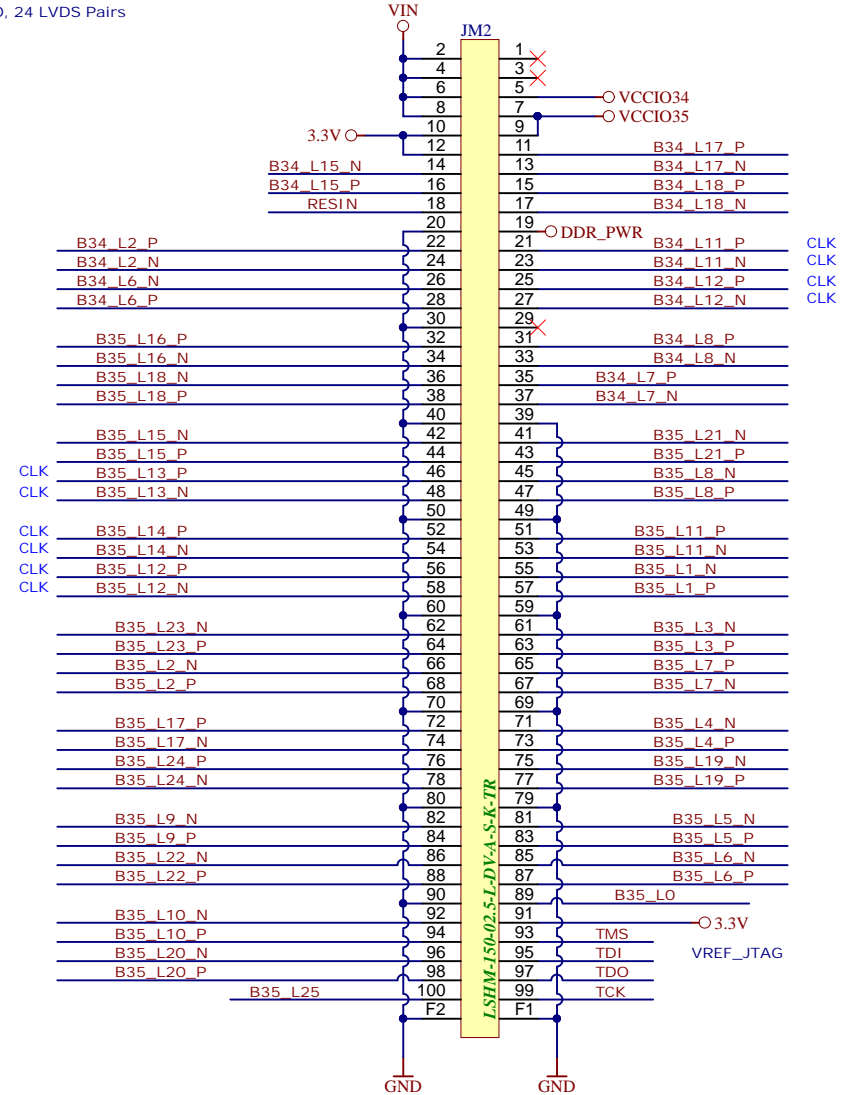
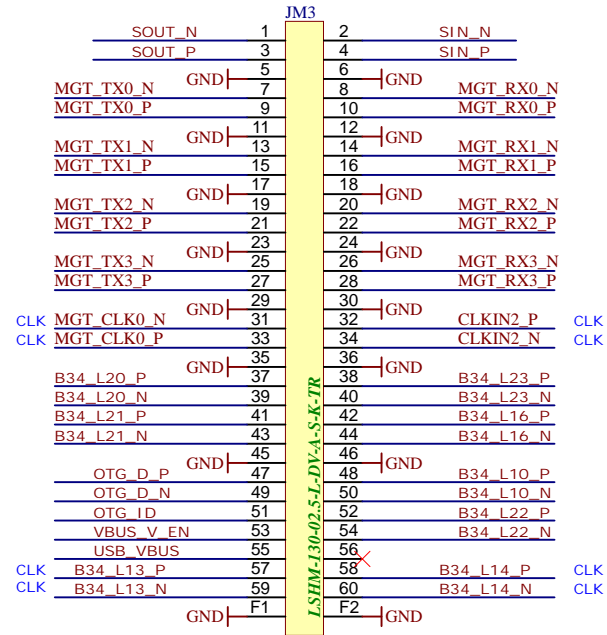
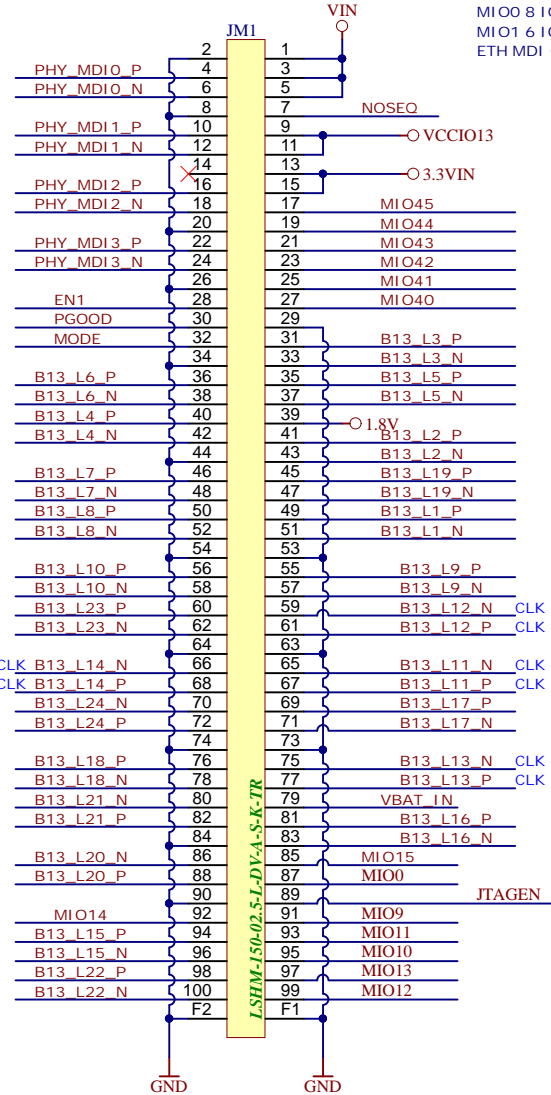
4

NOTE: B34 and B35 are HP Banks in 7030 Assembly with max 1.8V I/O Voltage

B13 48 IO, 24 LVDS Pairs
MIO0 8 IO, 3.3V
MIO1 6 IO 1.8V
ETH MDI Copper

B34 16 IO, 8 LVDS Pairs
USB OTG ETH SGMII
PLL CLK IN
GT CLK IN
GTP/GTX 4 Lanes

B34 18 IO, 9 LVDS Pairs
B35 48 IO, 24 LVDS Pairs
B35 2 IO



Top of Board



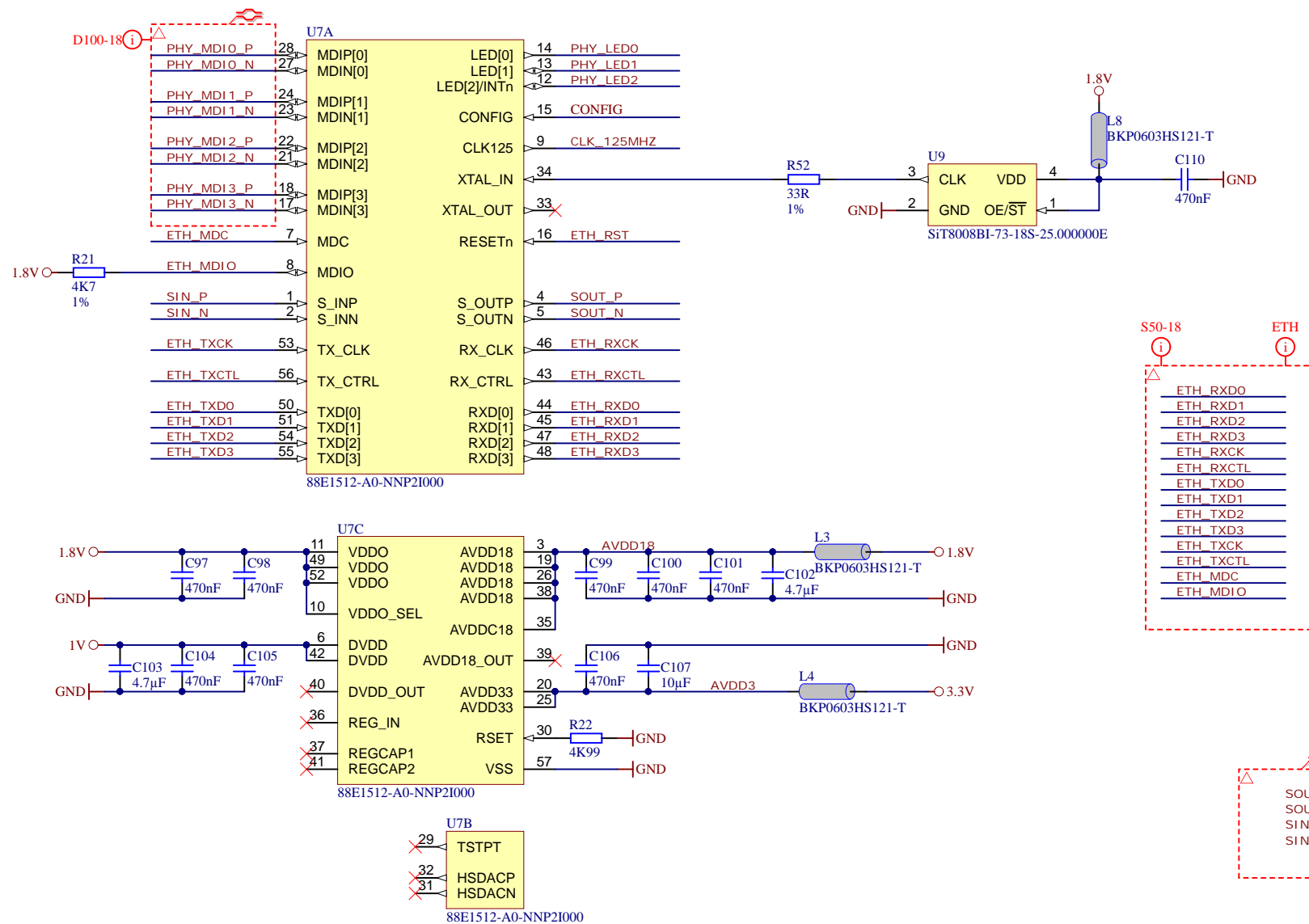
Title: TE0715 - B2B_Connectors		
A4	Number: TE0715 TE0715-30-113	Rev. 04
Date: 2015-10-14	Copyright: Trenz Electronic GmbH / TT	Page9 of 15
Filename: B2B_Connector.SchDoc		

A

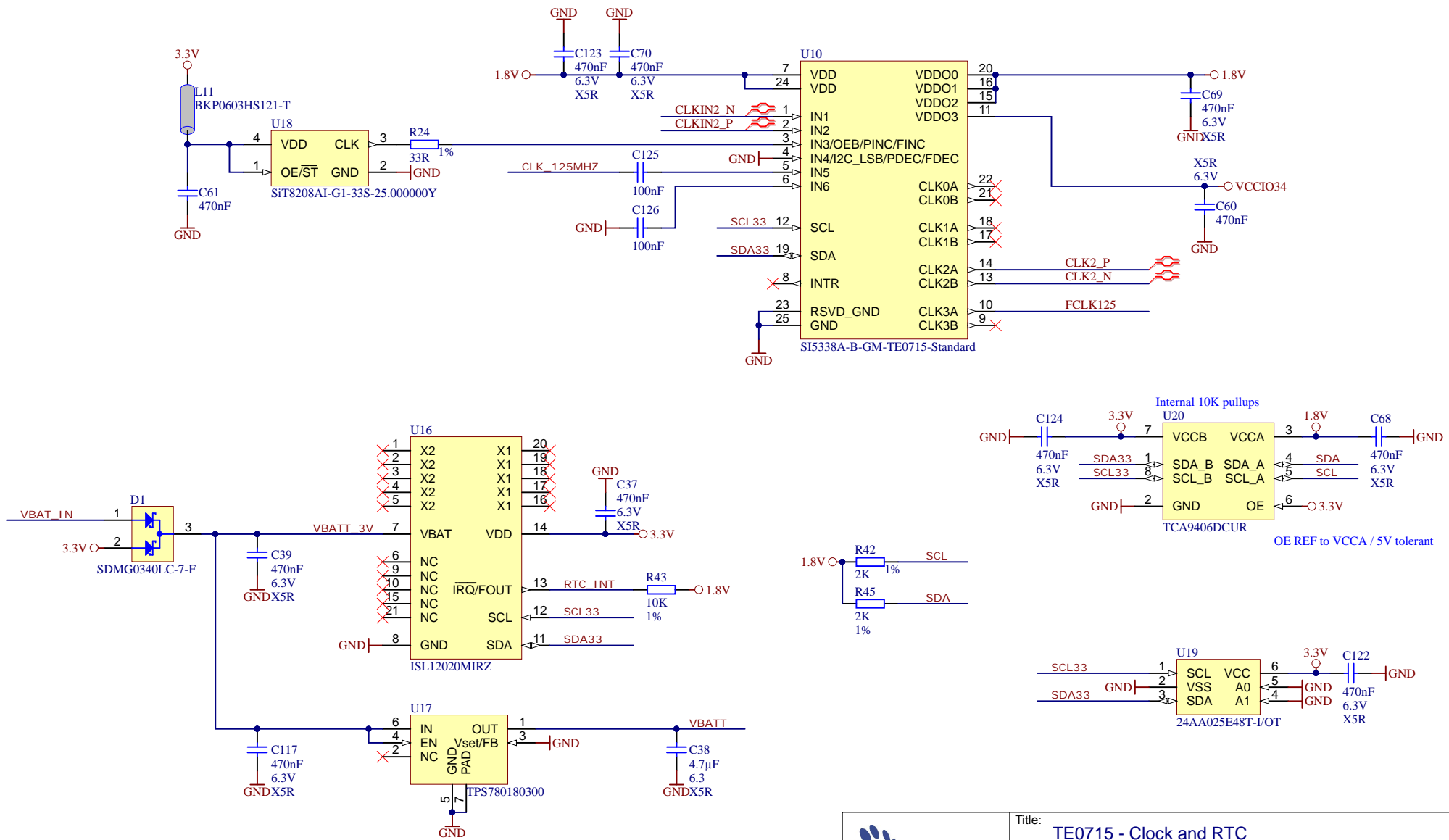
B

C

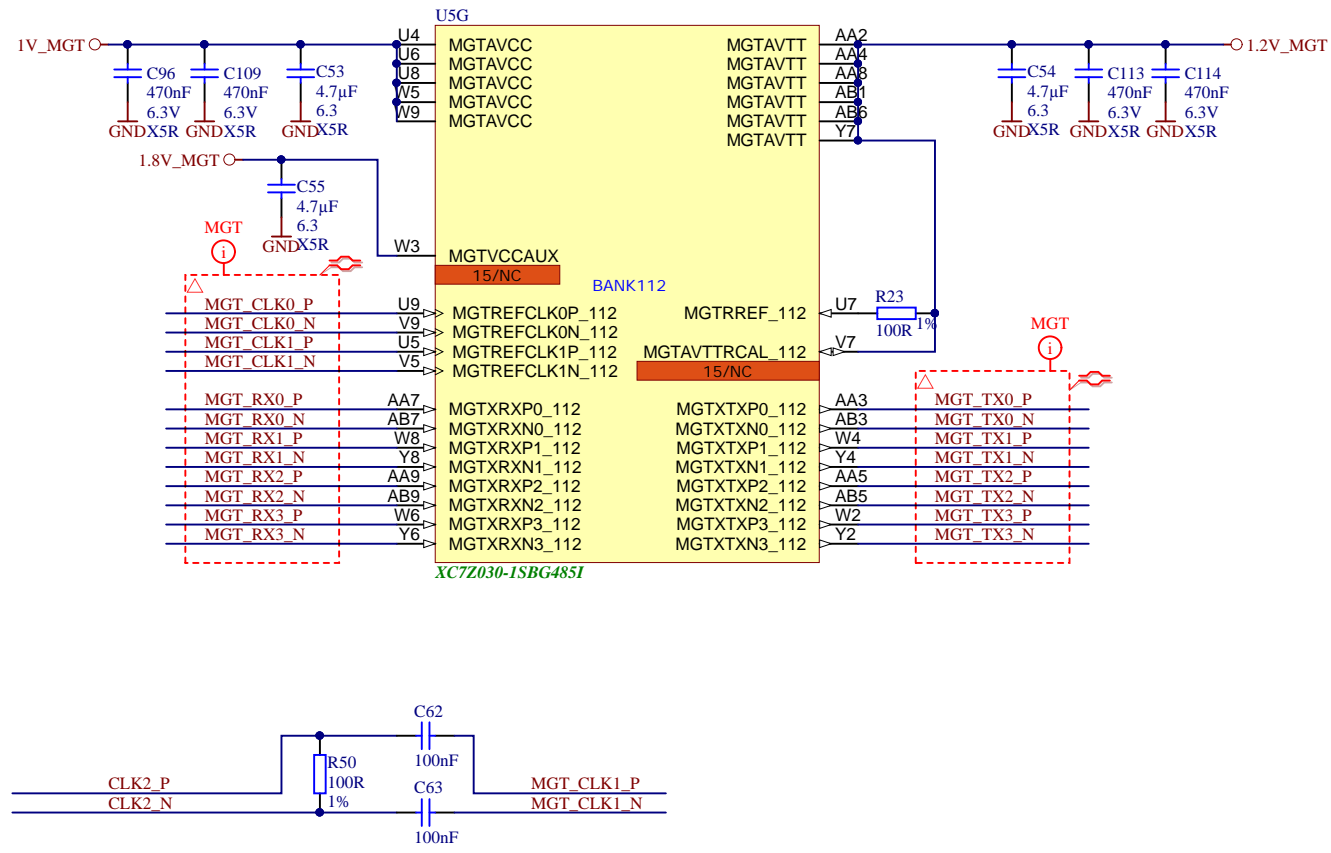
D



	Title: TE0715 - ETH_PHY		
	A4	Number: TE0715 TE0715-30-113	Rev. 04
	Date: 2015-10-14	Copyright: 2013 Trenz Electronic GmbH	Page 10 of 15
	Filename: ETH-PHY.SchDoc		



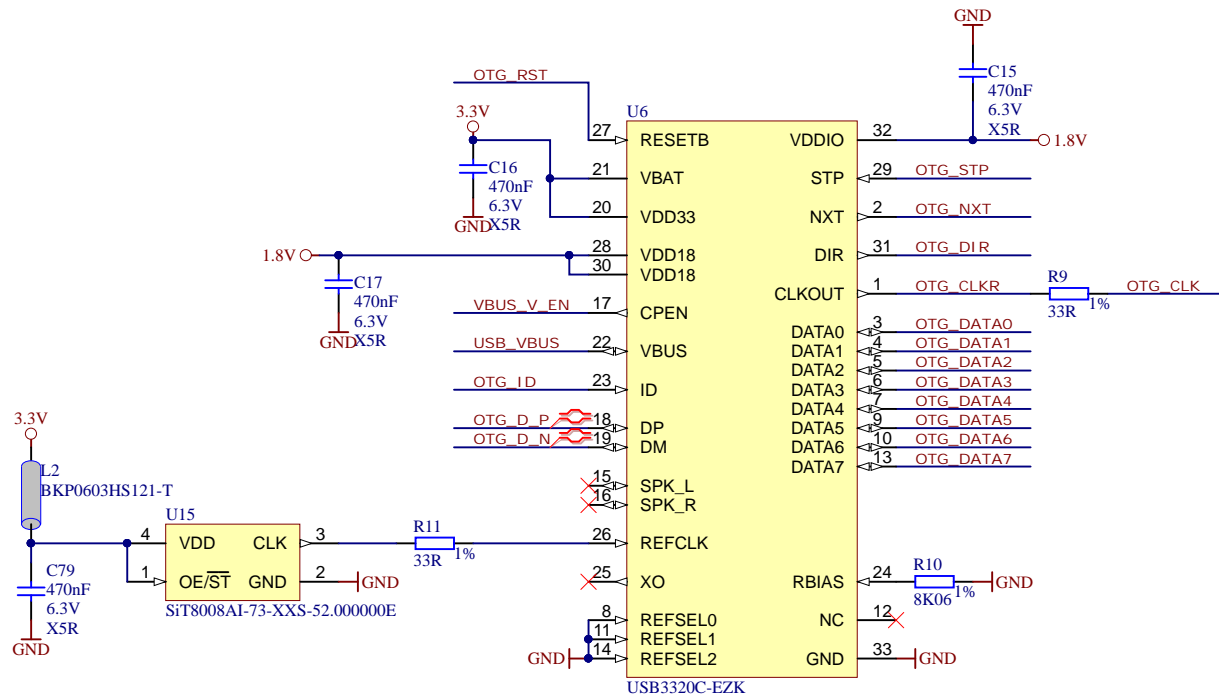
Title: TE0715 - Clock and RTC		
A4	Number: TE0715 TE0715-30-113	Rev. 04
Date: 2015-10-14	Copyright: Trenz Electronic GmbH	Page 11 of 15
Filename: Clock.SchDoc		




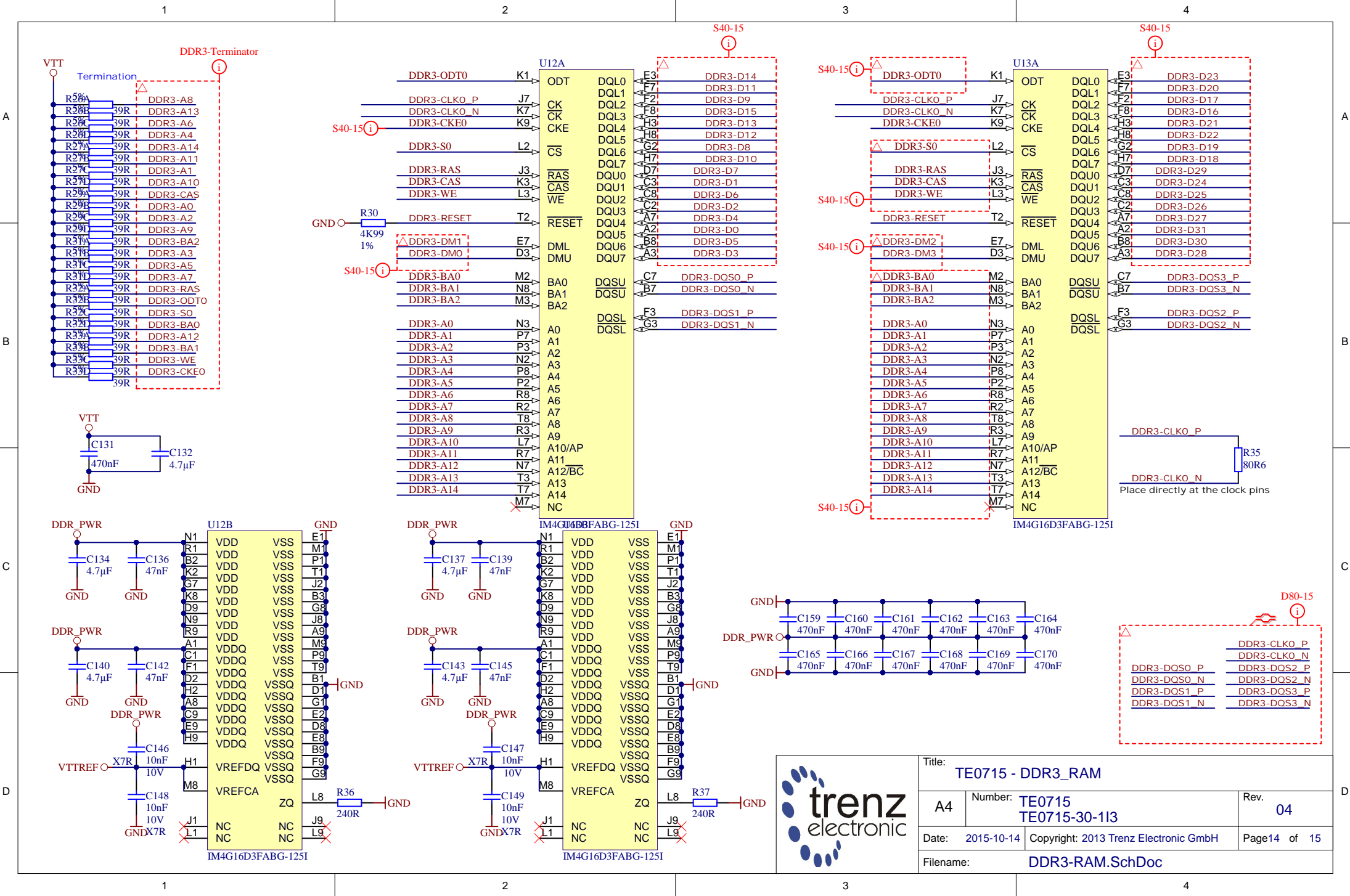
XC7Z030-1SBG485I



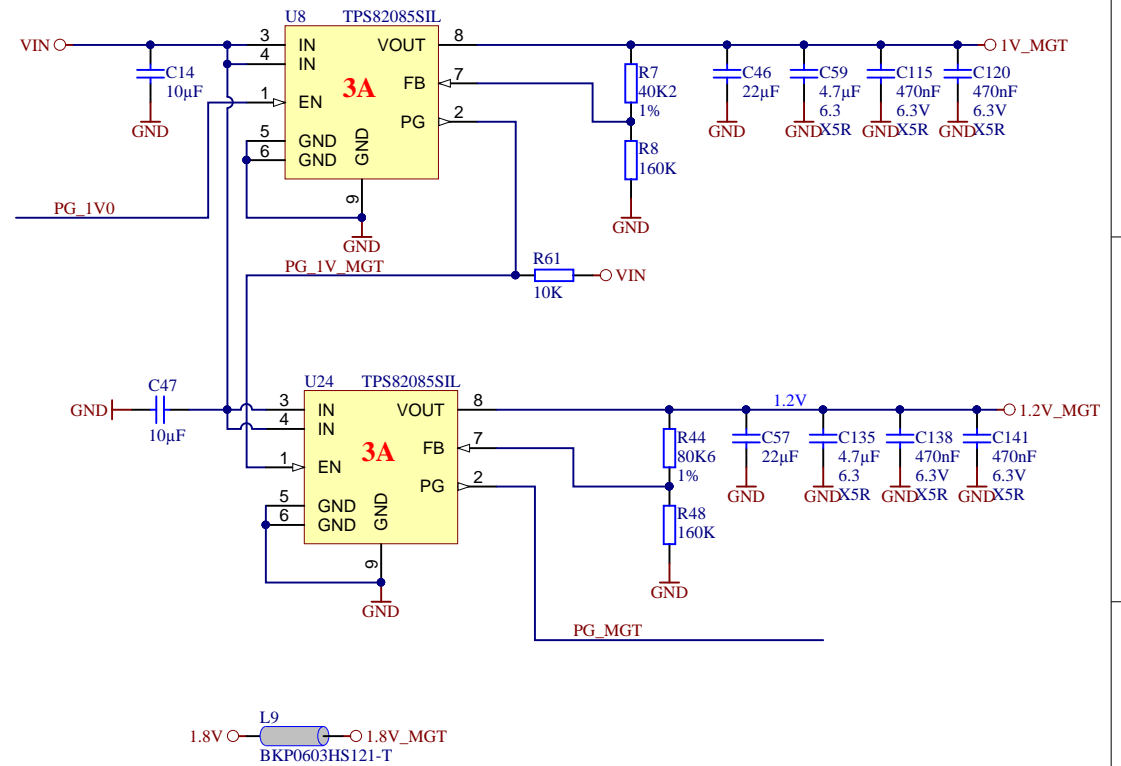
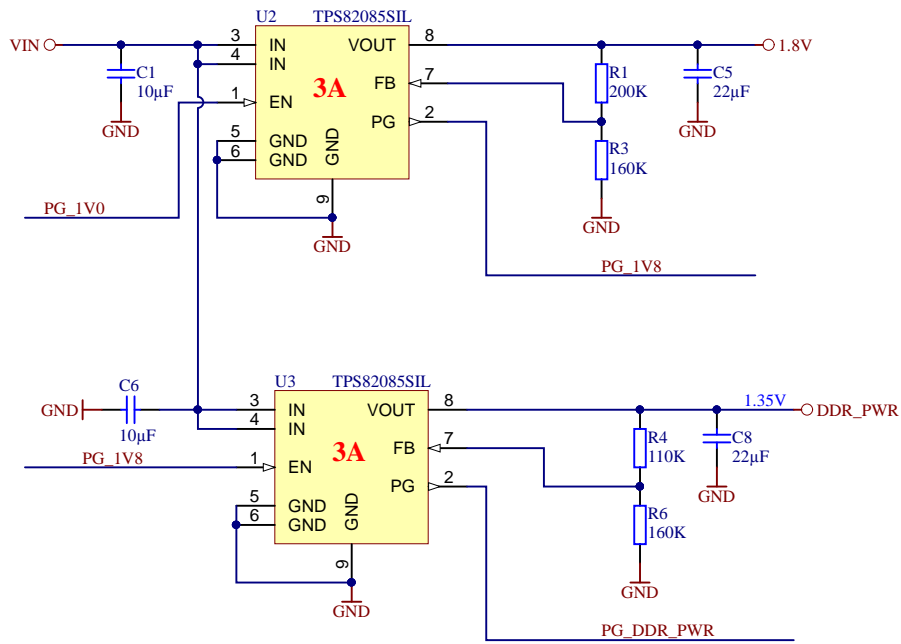
Title: TE0715 - FPGA_MGT		
A4	Number: TE0715 TE0715-30-113	Rev. 04
Date: 2015-10-14	Copyright: Trenz Electronic GmbH / TT	Page 12 of 15
Filename: MGT.SchDoc		



		Title: TE0715 - USB_PHY	
		A4	Number: TE0715 TE0715-30-113
Date: 2015-10-14		Copyright: 2013 Trenz Electronic GmbH	
Filename: USB-PHY.SchDoc		Page 13 of 15	



Title: TE0715 - DDR3_RAM		
A4	Number: TE0715 TE0715-30-113	Rev. 04
Date: 2015-10-14	Copyright: 2013 Trenz Electronic GmbH	Page 14 of 15
Filename: DDR3-RAM.SchDoc		



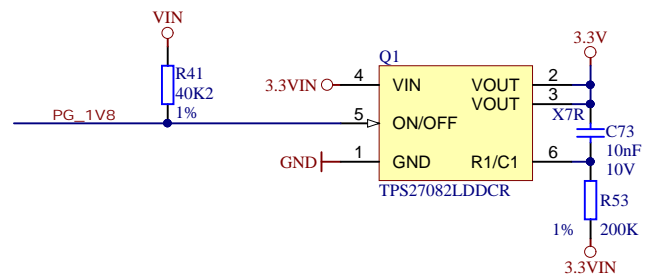
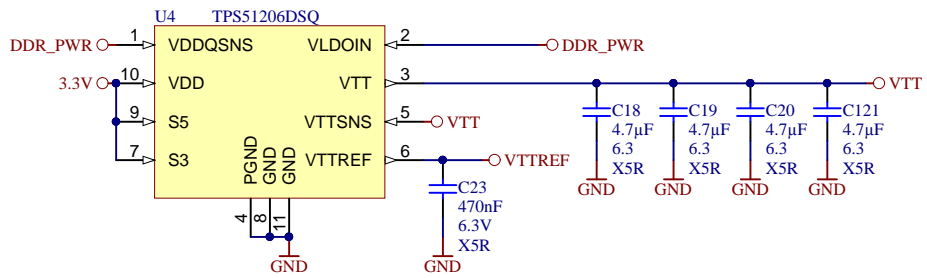
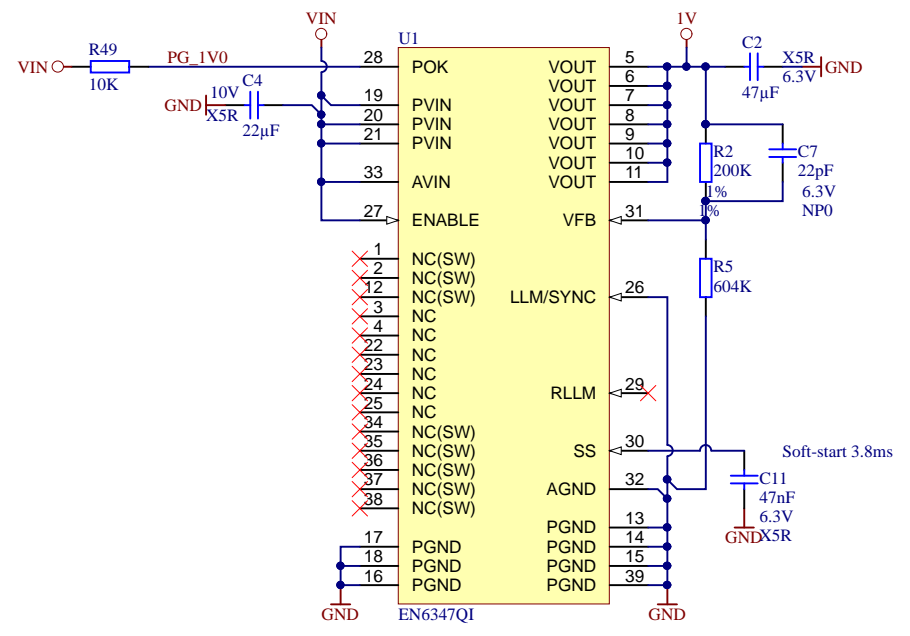
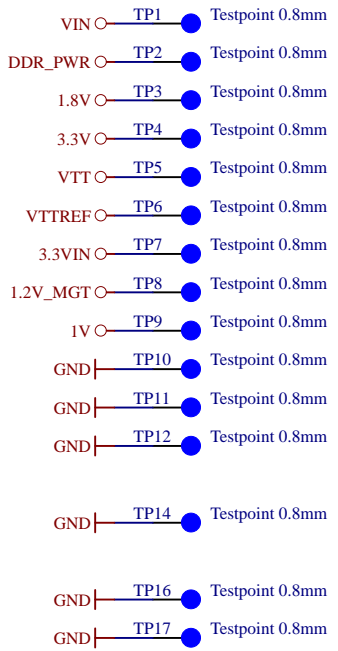
	Title: TE0715 - Power		
	A4	Number: TE0715 TE0715-30-113	Rev. 04
	Date: 2015-10-14	Copyright: Trenz Electronic GmbH / TT	Page 15 of 15
	Filename: POWER_2.SchDoc		

1

2

3

4



Title: TE0715 - Power		
A4	Number: TE0715 TE0715-30-113	Rev. 04
Date: 2015-10-14	Copyright: Trenz Electronic GmbH / TT	Page 15 of 15
Filename: POWER.SchDoc		

1

2

3

4