



Electrical specifications

Center Frequency: 4725 MHz
Bandwidth: 100 MHz min.
VSWR (BW): 1.5 : 1
Insertion Loss (Fo): 3.0 dB max
Ripple: 0.2 dB max
Input / Output Impedance: 50 Ohms
Rejection: 40dB min at 4500MHz
Rejection 2: 40dB min at 5000MHz
Power Handling: 3 W max
Group Delay Variation (BW): 30nsec max.

Mechanical

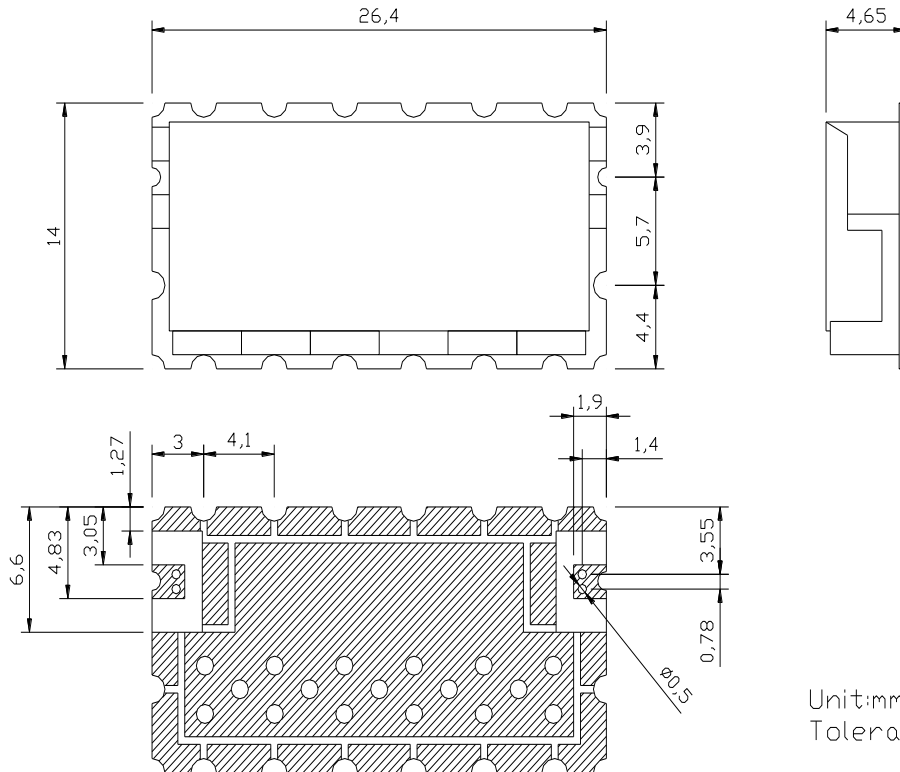
Mounting Method: SMT
Dimensions: 26.4 x 14 x 4.65 mm

Environmental

Operating Temperature: -20 to +70 deg. C
Storage Temperature: -55 to +85 deg. C

This product is RoHs compliant.

Outline Drawing:



Unit:mm
Tolerance:±0.3