

Product Change Notification

PCN-IFC-1122-2018

Business Unit	Product Line Code	Type of Change	Action	Date of Issue
IFC - Industrial Field Connectivity	BF1	Product Change Notification	Notify Distributors and Field	6/8/2018

The following Phoenix Contact products have been modified. Existing specifications will be met or exceeded. Please review and acknowledge this document and inform your personnel as needed.

Description for Product Change Notification

To align a common design for all M12 power, the S-code and T-code designs have been further optimized. These changes include:

- 1) The size of the connector heads are increased slightly
- 2) The M12 knurl will be changed to full threading instead of SPEEDCON
- 3) The article descriptions will change from SCO to M12 standard
- 4) The overmold material will change from TPU to PP
- 5) The overmold color will now be black for all variants (T-code no longer green)
- 6) The UL flammability class will be improved from UL 94HB to UL 94VO
- 7) For more robustness at the mating face an additional metal ring has been added
- 8) The product will no longer be bagged, but delivered with a dust cover
- 9) A warning label will be added for the high-voltage products

All above changes have no impact on product approvals. UL 2237 for the S- & T-code M12 Power remains unchanged. Please see the attached .PDF for additional pictures and details.

Stock Status

Can existing stock still be used?	Yes
Is mixture of stock acceptable?	Yes

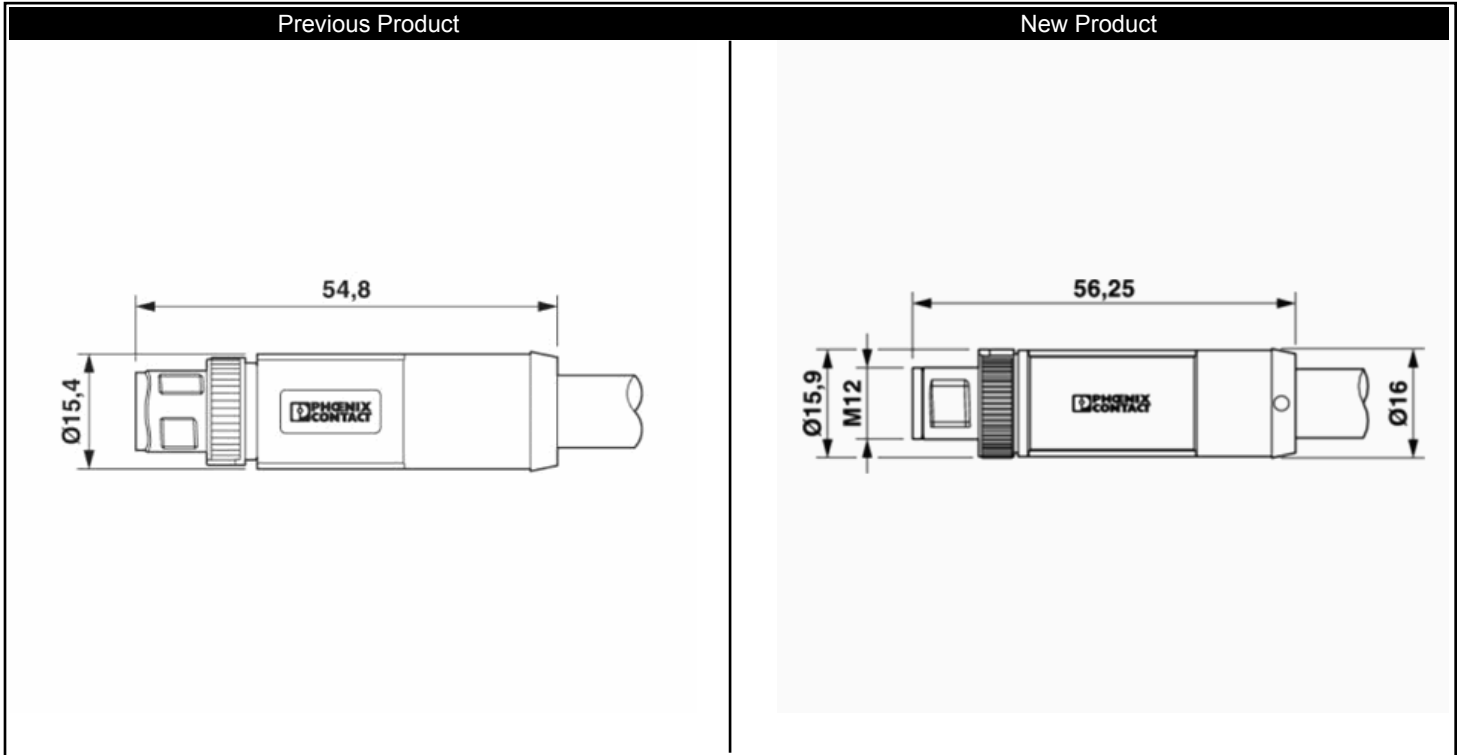
Transaction Dates

Date modification goes into effect from Germany:	3/30/2018
Expected first shipment (from Phoenix Contact) of the modified products(s):	3/30/2018



Phoenix Contact Inc.
P.O. BOX 4100
Harrisburg, PA 17111-0100
Phone: 717-944-1300
Fax: 717-944-1625

Product Change Notification



Should you have any issues with the timeline or content of this product change, please contact Phoenix Contact using the information below. Customers should acknowledge receipt of the PCN within 30 days of delivery of the PCN; provided, however, that the failure to acknowledge receipt does not affect the product change or the effective date thereof.

Contact Info:

Nathan Owens
nowens@phoenixcon.com

Thank you,



Nathan Owens

Product Marketing Manager - IFC



Phoenix Contact Inc.
P.O. BOX 4100
Harrisburg, PA 17111-0100
Phone: 717-944-1300
Fax: 717-944-1625

Product Change Notification

Part #	Type Description
1420494	SAC-4P-20,0-PUR/M12FRT
1421305	SAC-4P-20,0-PUR/M12FST
1421499	SAC-4P-50,0-PUR/M12FST
1421788	SAC-4P-MST/10,0-PUR/FST SH SCO
1423650	SAC-4P-MSS/3,0-PUR/FSSPESHSCO
1423665	SAC-4P-MSS/10,5-PUR/FSSPESHSCO
1424096	SAC-4P-FSS/ 1,5-PUR PE SH SCO
1424097	SAC-4P-FSS/ 3,0-PUR PE SH SCO
1424098	SAC-4P-FSS/ 5,0-PUR PE SH SCO
1424099	SAC-4P-FSS/10,0-PUR PE SH SCO
1424100	SAC-4P-FRS/ 1,5-PUR PE SH SCO
1424101	SAC-4P-FRS/ 3,0-PUR PE SH SCO
1424102	SAC-4P-FRS/ 5,0-PUR PE SH SCO
1424103	SAC-4P-FRS/10,0-PUR PE SH SCO
1424104	SAC-4P-MSS/ 1,5-PUR PE SH SCO
1424105	SAC-4P-MSS/ 3,0-PUR PE SH SCO
1424107	SAC-4P-MSS/10,0-PUR PE SH SCO
1424108	SAC-4P-MRS/ 1,5-PUR PE SH SCO
1424109	SAC-4P-MRS/ 3,0-PUR PE SH SCO
1424110	SAC-4P-MRS/ 5,0-PUR PE SH SCO
1424111	SAC-4P-MRS/10,0-PUR PE SH SCO
1424112	SAC-4P-FST/ 1,5-PUR SH SCO
1424113	SAC-4P-FST/ 3,0-PUR SH SCO
1424114	SAC-4P-FST/ 5,0-PUR SH SCO
1424115	SAC-4P-FST/10,0-PUR SH SCO
1424116	SAC-4P-FRT/ 1,5-PUR SH SCO
1424117	SAC-4P-FRT/ 3,0-PUR SH SCO
1424118	SAC-4P-FRT/ 5,0-PUR SH SCO
1424120	SAC-4P-MST/ 1,5-PUR SH SCO
1424121	SAC-4P-MST/ 3,0-PUR SH SCO
1424122	SAC-4P-MST/ 5,0-PUR SH SCO
1424123	SAC-4P-MST/10,0-PUR SH SCO
1408806	SAC-4P-M12MST/ 0,3-PUR/M12FST
1408807	SAC-4P-M12MST/ 0,6-PUR/M12FST
1408808	SAC-4P-M12MST/ 1,0-PUR/M12FST
1408809	SAC-4P-M12MST/ 2,0-PUR/M12FST
1408810	SAC-4P-M12MST/ 5,0-PUR/M12FST
1408811	SAC-4P-M12MST/10,0-PUR/M12FST
1408812	SAC-4P-M12MST/ 1,0-PUR
1408813	SAC-4P-M12MST/ 2,0-PUR
1408814	SAC-4P-M12MST/ 5,0-PUR
1408815	SAC-4P-M12MST/10,0-PUR
1408816	SAC-4P-M12MRT/ 1,0-PUR
1408819	SAC-4P-M12MRT/ 2,0-PUR
1408820	SAC-4P-M12MRT/ 5,0-PUR
1408822	SAC-4P-M12MRT/10,0-PUR
1408823	SAC-4P- 1,0-PUR/M12FST



Product Change Notification

1408824	SAC-4P- 2,0-PUR/M12FST
1408825	SAC-4P- 5,0-PUR/M12FST
1408826	SAC-4P-10,0-PUR/M12FST
1408827	SAC-4P- 1,0-PUR/M12FRT
1408828	SAC-4P- 2,0-PUR/M12FRT
1408829	SAC-4P- 5,0-PUR/M12FRT
1408830	SAC-4P-10,0-PUR/M12FRT
1408835	SAC-4P-MSS/ 1,0-PUR PE SCO
1408836	SAC-4P-MSS/ 2,0-PUR PE SCO
1408837	SAC-4P-MSS/ 5,0-PUR PE SCO
1408838	SAC-4P-MSS/10,0-PUR PE SCO
1408839	SAC-4P-MRS/ 1,0-PUR PE SCO
1408840	SAC-4P-MRS/ 2,0-PUR PE SCO
1408841	SAC-4P-MRS/ 5,0-PUR PE SCO
1408842	SAC-4P-MRS/10,0-PUR PE SCO
1408843	SAC-4P- 1,0-PUR/FSS PE SCO
1408844	SAC-4P- 2,0-PUR/FSS PE SCO
1408845	SAC-4P- 5,0-PUR/FSS PE SCO
1408846	SAC-4P-10,0-PUR/FSS PE SCO
1408848	SAC-4P- 1,0-PUR/FRS PE SCO
1408852	SAC-4P- 2,0-PUR/FRS PE SCO
1408853	SAC-4P- 5,0-PUR/FRS PE SCO
1408854	SAC-4P-10,0-PUR/FRS PE SCO
1409255	SAC-4P-MST/1,5-PUR/FST SH SCO
1411366	SAC-4P-M12MST/20,0-PUR/M12FST
1411636	SAC-3P-MSS/ 1,0-PVC PE SCO
1411637	SAC-3P-MSS/ 2,0-PVC PE SCO
1411638	SAC-3P-MSS/ 5,0-PVC PE SCO
1411639	SAC-3P-MSS/10,0-PVC PE SCO
1411640	SAC-3P-MRS/ 1,0-PVC PE SCO
1411641	SAC-3P-MRS/ 2,0-PVC PE SCO
1411642	SAC-3P-MRS/ 5,0-PVC PE SCO
1411643	SAC-3P-MRS/10,0-PVC PE SCO
1411644	SAC-3P- 1,0-PVC/FSS PE SCO
1411645	SAC-3P- 2,0-PVC/FSS PE SCO
1411646	SAC-3P- 5,0-PVC/FSS PE SCO
1411647	SAC-3P-10,0-PVC/FSS PE SCO
1411648	SAC-3P- 1,0-PVC/FRS PE SCO
1411649	SAC-3P- 2,0-PVC/FRS PE SCO
1411650	SAC-3P- 5,0-PVC/FRS PE SCO
1411651	SAC-3P-10,0-PVC/FRS PE SCO
1413210	SAC-4P-M12MST/ 0,5-PUR/M12FST
1413211	SAC-4P-M12MST/ 1,5-PUR/M12FST
1413530	SAC-4P-M12MST/ 15,0-PUR/FST
1415196	SAC-4P-M12MRT/ 1,0-PUR/M12FRT
1415197	SAC-4P-M12MRT/ 2,0-PUR/M12FRT
1415198	SAC-4P-M12MRT/ 5,0-PUR/M12FRT
1415199	SAC-4P-M12MRT/10,0-PUR/M12FRT



Phoenix Contact Inc.
P.O. BOX 4100
Harrisburg, PA 17111-0100
Phone: 717-944-1300
Fax: 717-944-1625

Product Change Notification

1415202	SAC-4P-MRT/ 1,5-PUR/FRT SH SCO
1415203	SAC-4P-MRT/ 3,0-PUR/FRT SH SCO
1415204	SAC-4P-MRT/ 5,0-PUR/FRT SH SCO
1415205	SAC-4P-MRT/ 10,0-PUR/FRT SH SC
1415343	SAC-4P-FST/20,0-PUR SH SCO
1415998	SAC-3P-MSS/ 4,0-PVC PE SCO
1416410	SAC-4P-MSS/ 1,0-PUR/FSS PE SCO
1417539	SAC-3P- 4,0-PVC/FSS PE SCO
1417687	SAC-4P-MST/ 5,0-PUR/FST SH SCO
1420081	SAC-4P-MRS/7,62-PUR PE SH SCO
1424124	SAC-4P-MRT/ 1,5-PUR SH SCO
1424125	SAC-4P-MRT/ 3,0-PUR SH SCO
1424126	SAC-4P-MRT/ 5,0-PUR SH SCO
1424127	SAC-4P-MRT/10,0-PUR SH SCO
1424128	SAC-4P-FRT/10,0-PUR SH SCO
1424245	SAC-4P-MSS/ 5,0-PUR PE SH SCO
1425384	SAC-3P- 1,5-PVC/FSS PE SCO
1425622	SAC-3P-MSS/ 2,5-PVC PE SCO
1425625	SAC-3P- 2,5-PVC/FSS PE SCO
1012044	SAC-4P-M12MST/3,5-PUR/M12FST
1014534	SAC-3P-MSS/10,0-PVC/FSS PE SCO
1029445	SAC-4P-MRS/ 3,0-PUR PE SCO
1031038	SAC-4P-13,0-PUR/FSS PE SCO