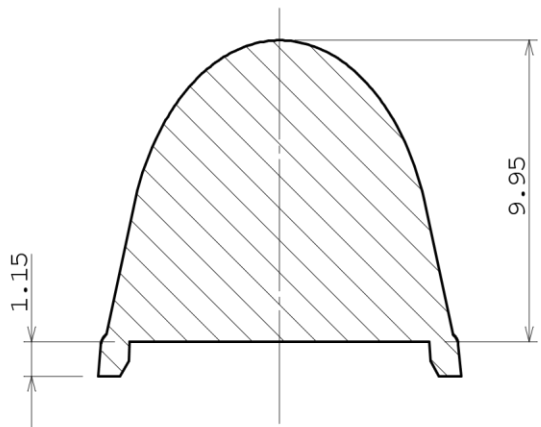
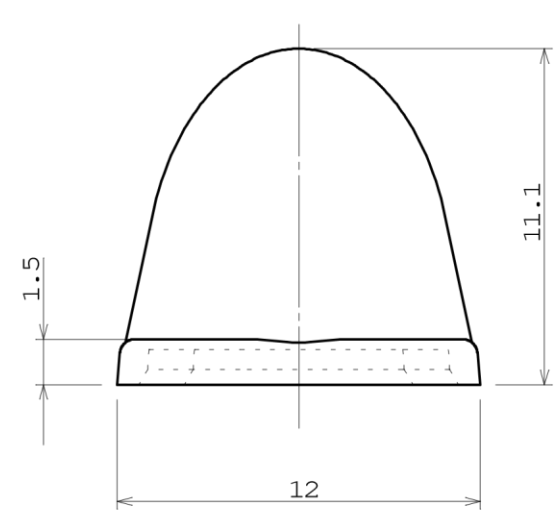
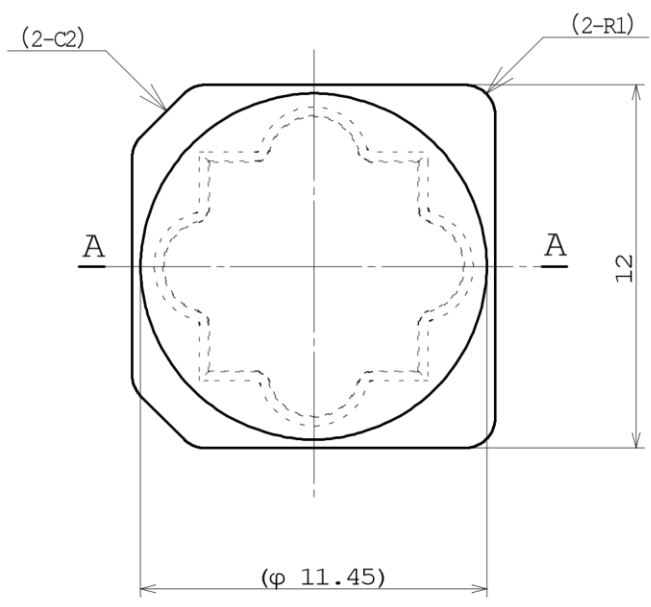
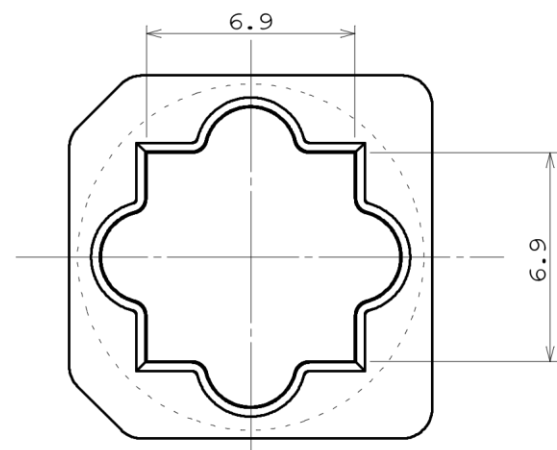


○	SPECIFICATIONS 仕様図	SURFACE TREATMENT <表面処理>	SYM	DATE	REVISION	REVR	APPR
	REFERENCE 参考図	HEAT TREATMENT <熱処理>	△1×				
		FINISH <仕上げ>	△2×				
			△3×				



A-A断面図
A-A' Section



NOTE)
・一般寸法公差：下記C公差を適用

General dimensional tolerance: Range C

TOLERANCE UNLESS SPECIFIED			ORIGINAL DATE 2021/7/7	MATERIAL (COMPOUND) Silicone rubber	TITLE DK-8M-033 製品図			
RANGE	A	B	SCALE 4:1	COLOR Clear	DRAWING NO. 21070703E			
LESS THAN 6	±0.2	±0.1	UNIT mm	HARDNESS A80	DESIGN	DRAWN	CHECKED	APPROVED
OVER 6 TO 20	±0.3	±0.2	SIZE A4		T.Motoyanagi	T.Motoyanagi	S.Endo	E.Ishiguro
OVER 20 TO 50	±0.5	±0.3	3RD ANGLE SYSTEM					
OVER 50 TO 100	±1.0	±0.5						
OVER 100 TO 300	±2.0	±1.0						
OVER 300 TO 500	±5.0	±2.5						
ANGLE	±2°		ASAHI RUBBER INC. 株式会社朝日ラバー					

◆ASA COLOR LENS

Part number : DK-8M-033 / DK-30M-033K3

Initial Properties

1. Physical Properties

Items	Materials : ASR-A80MC
Color	Transparent
Hardness JIS Type A	A80/S±5
Total light transmittance(t=2mm)	90% and more
Refractive index (25°C) (D-line 589 nm)	1.41±0.03

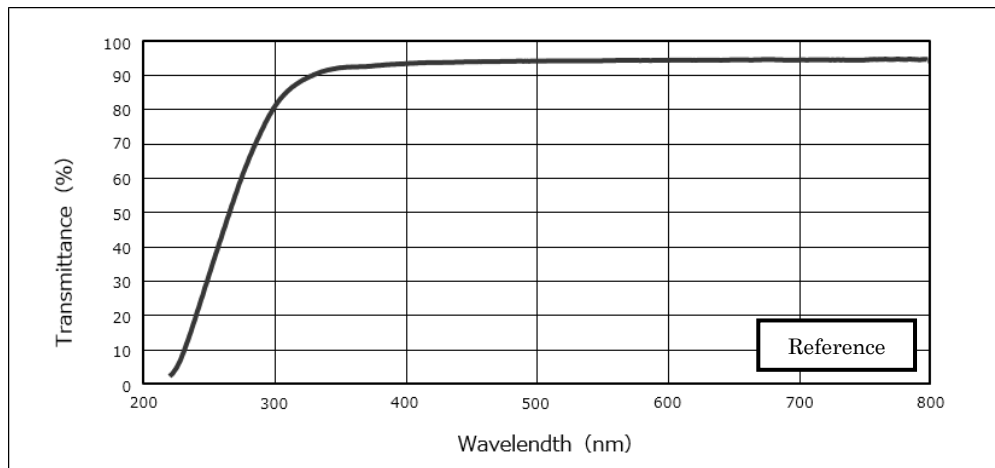


Figure1. Total light transmittance of ASR-A80MC (t=2mm)

2. Light Distribution Data

