



2370 MHz Cavity Bandpass Filter

Part Number: AB2370B867



ANATECH ELECTRONICS INC
RF & Microwave Filters & Products

Electrical specifications

Center Frequency: 2370 MHz
1dB Bandwidth: 40 MHz (+/- 5 MHz)
50dB Bandwidth: 75 MHz (+/-10 MHz)
Input / Output Impedance: 50 Ohms
Passband: 2350 – 2390 MHz
Passband Insertion Loss: 1.5dB max@2350-2390 MHz
Passband Ripple: 0.5 dB max
Passband Return Loss: 14dB
Rejection: >50 dB @ 2332.5 MHz
Rejection 2: >50 dB @ 2407.5 MHz
Power Handling: 12 W CW

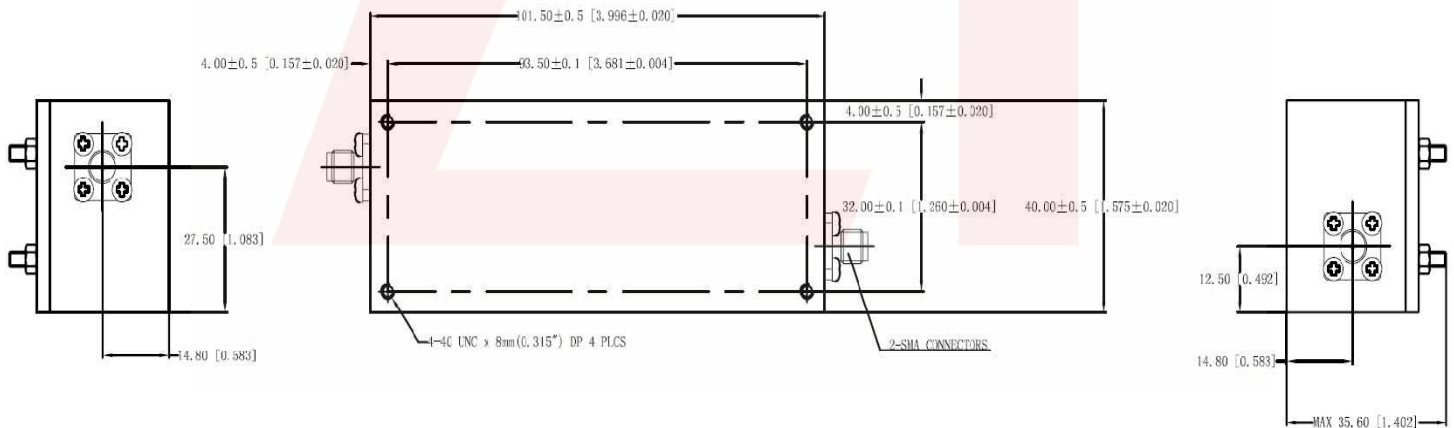
Mechanical

Mounting Method: Threaded Mounting Holes
Connector Type: SMA Female
Dimensions: 101.5 x 40 x 35.6 mm.

Environmental

Operating Temperature: -45 to +85 deg.C
Storage Temperature: -55 to +95 deg.C
Shock: 20 G. 11ms
Vibration: 20 G. 5 to 200 Hz

Outline Drawing:



DS-B867-03152018-Rev0



Response Plot:

