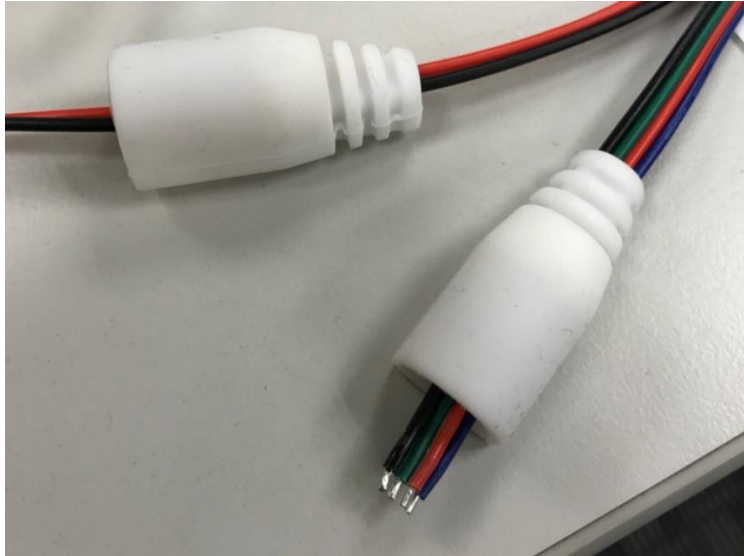


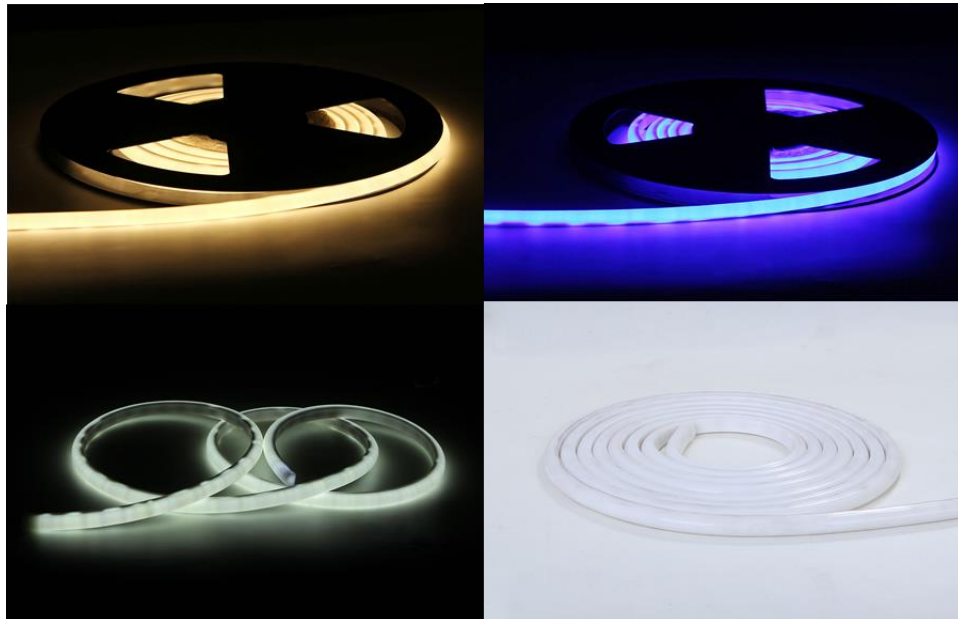
## End-Caps for sealing respective AB-FB series rope lights

### Product Image:

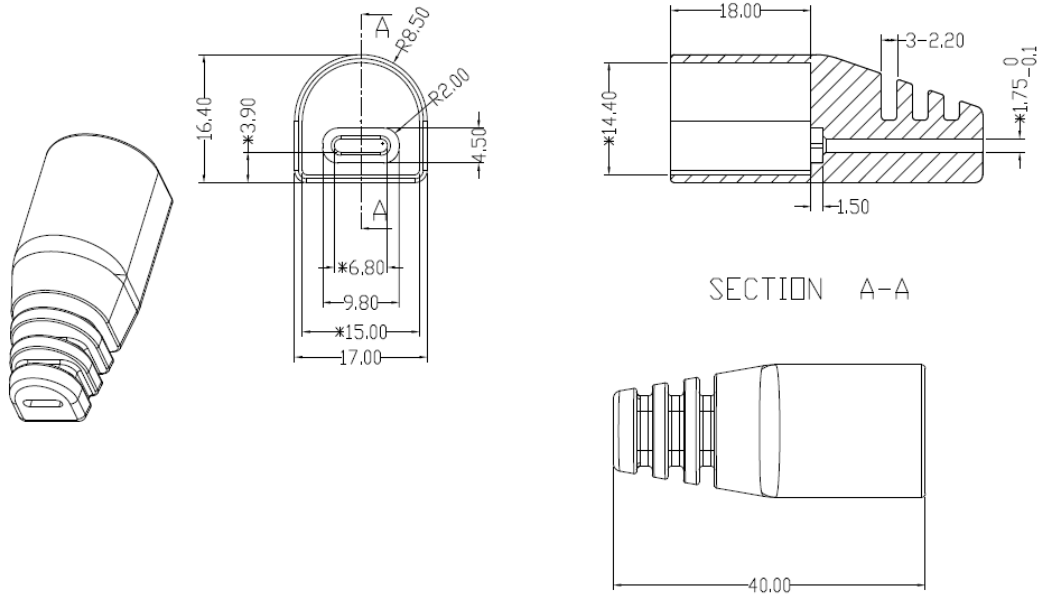


### Types:

- 2-Wires: For single color
- 3-Wires: For dual color
- 4-Wires: For RGB
- 5-Wires: For RGBW



### Mechanical Dimension:



### Note:

1. Material: Silicone, durometers: Shore A 65-75
2. Color: White
3. Unit: mm
4. The dimensions with "\*" mark are adjustable

### Instruction:

1. Field cut the AB-FB series rope lights at the appropriate locations.



2. Place the end caps on the cut sections.
3. Use Dow Chemical 9-1374 silicone gel to seal the end caps to maintain the IP67 waterproof grading.