

## PJ Series

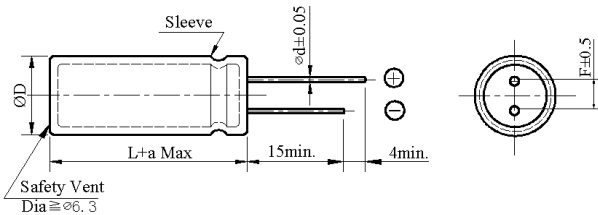
- For electronic ballast circuits and long life
- required applications
- High ripple current
- Load life: 8,000 to 10,000 hours at 105°C



### SPECIFICATIONS

Item	Performance Characteristics							
Category Temperature Range	-25~ +105°C							
Working Voltage Range	160 ~ 500Vdc							
Capacitance Range	10~560 μF							
Capacitance Tolerance	±20% (at 25°C and 120Hz)							
Dissipation Factor (tanδ) (at 25°C, 120Hz)	Rated Voltage (V)	160	200	250	400	450	500	
	tanδ(Max)	0.20	0.20	0.24	0.24	0.24	0.24	
Leakage Current	$I=0.03CV + 10\mu A$ I : Leakage current (μA) C : Rated capacitance (μF) V : Rated voltage (V) Impress the rated voltage for 2 minutes							
Low Temperature Characteristics Impedance Ratio(MAX)	Rated voltage (V)	160 ~250	400	420 ~ 450	500			
	Z(-25°C)/Z(+20°C)	3	5	6	6	(at 120Hz)		
Endurance	The following specifications shall be satisfied when the capacitors are restored to 25°C after subjected to DC voltage with the rated ripple current is applied for 10,000 ( 8,000 hours for Φ 10 ) hours at 105°C							
	Capacitance change	≡ ±20% of the initial value						
	Dissipation factor(tanδ)	≡ 200% of the specified value						
	Leakage current	≡ specified value						
Shelf Life	The following requirements shall be satisfied when the capacitor are restored to 25°C after the rated voltage applied for 1,000 hours at 105°C without voltage applied.							
	Capacitance change	≡ ±20% of the initial value						
	Dissipation factor(tanδ)	≡ 200% of the specified value						
	Leakage current	≡ 500% of the specified value						
Others	Conforms to JIS-C-5101-4 (1998), characteristic W							

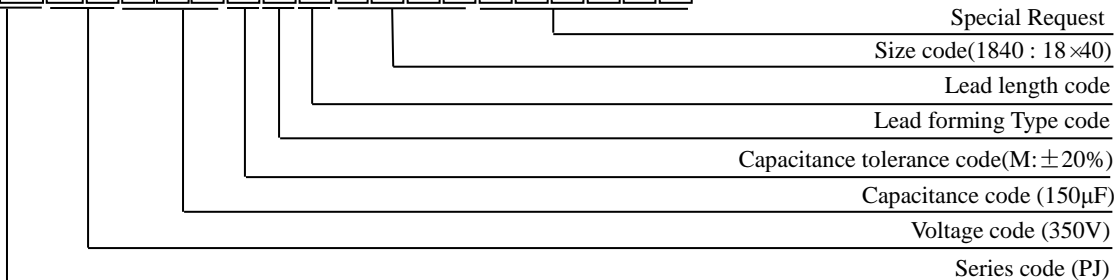
### DIMENSIONS (mm)



ΦD	10	12.5	16	18
ΦD	ΦD + 0.5 Max			
Φd	0.6	0.6	0.8	0.8
F	5.0	5.0	7.5	7.5
a	L + 1.5 Max	$\leq 35 L + 1.5 \text{Max}$ $\geq 40 L + 2.0 \text{Max}$	L + 1.5 Max	

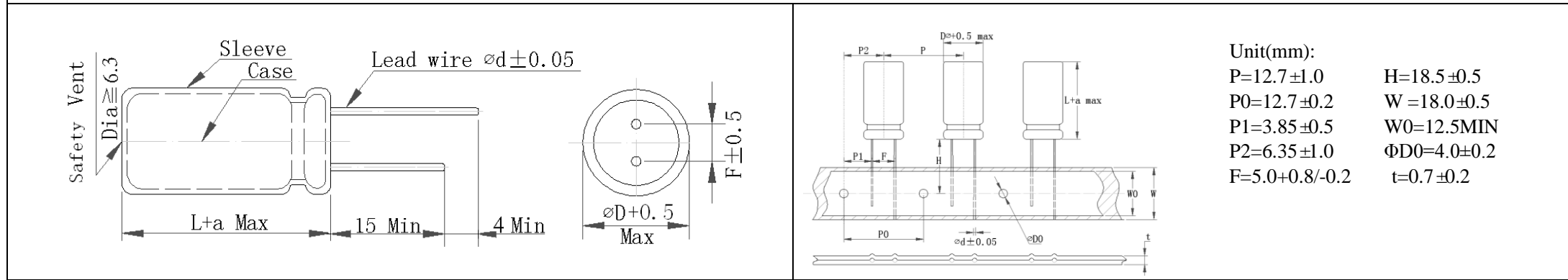
### PART NUMBER SYSTEM ( Example : 350V 150μF )

P J 2 V 1 5 1 M N N 1 8 4 0



## Aluminum Electrolytic Capacitor

Customer	Digi-Key	SERIES	PJ	NO.:	PUBLISH DATE	2022-03-25
----------	----------	--------	----	------	--------------	------------



**Original** **FIG-1**

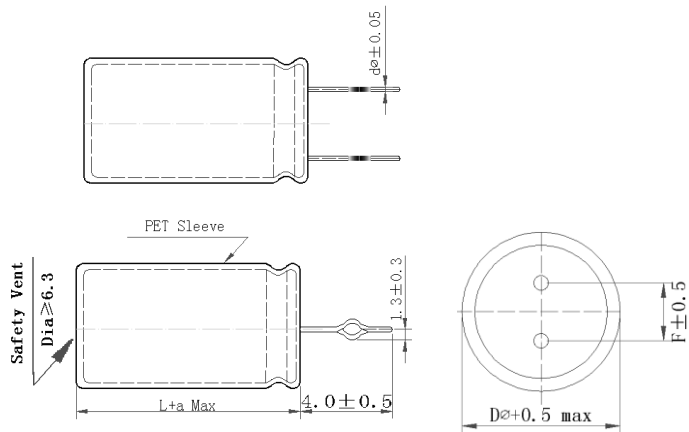
No.	CHINSAN Part No.	Customer Part No.	Capacitance (uF)	Tolerance On rated Capacitance (%)	Working Voltage (Vdc)	Surge Voltage (Vdc)	Category Temp Range (°C)	Tanδ @ 25°C (120Hz) (Max)	Leakage Current (uA) (2 min.)	Rated Ripple Current (mA rms) @ 105°C 120Hz	Rated Ripple Current (mA rms) @ 85°C 100kHz	ESR @25°C (mΩ max/ 120Hz)	Impedance @20°C (mΩ max/ 100kHz)	Endurance @ 105°C (Hours)	Dimensions (mm)					Appearance Drawing No
															D Φ	L	a	d	F	
1	PJ2W100MP51020R	/	10 μF	±20%	450 V	/	-25~+105	/	/	150	/	/	/	8000	10	20	/	/	5	FIG-1
2	PJ2W101MNN1840	/	100 μF	±20%	450 V	/	-25~+105	/	/	800	/	3620	/	10000	18	40	/	/	7.5	Original

※Test leakage current before testing dissipation factor and capacitance during the electric characteristic test.

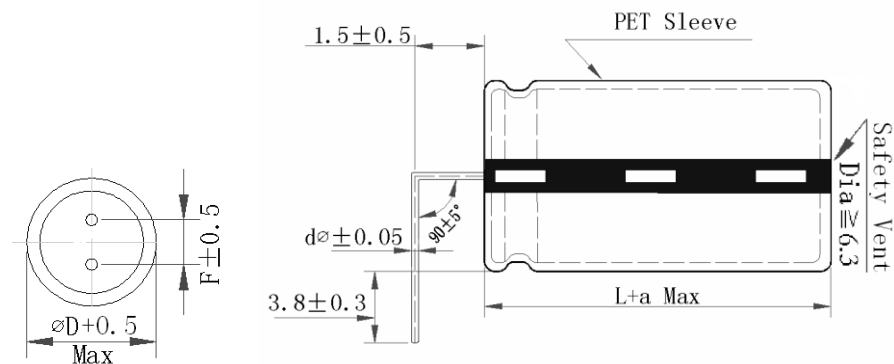
REMARKS:	APPROVED BY	CHECKED BY	PREPARED BY
Sleeve Color: Black.	张洪斌	曾爱娥	梁慧妍

## Aluminum Electrolytic Capacitor

<b>Customer</b>	<b>Digi-Key</b>	<b>SERIES</b>	<b>PJ</b>	<b>NO.:</b>	<b>PUBLISH DATE</b>	<b>2022-03-25</b>
-----------------	-----------------	---------------	-----------	-------------	---------------------	-------------------



**FIG-1**



**FIG-2**

No.	CHINSAN Part No.	Customer Part No.	Capacitance (uF)	Tolerance On rated Capacitance (%)	Working Voltage (Vdc)	Surge Voltage (Vdc)	Category Temp Range (°C)	Tanδ @ 25°C (120Hz) (Max)	Leakage Current (uA) (2 min.)	Rated Ripple Current (mA rms) @ 105°C 120Hz	Rated Ripple Current (mA rms) @ 85°C 100kHz	ESR @25°C (mΩ max/ 120Hz)	Impedance @20°C (mΩ max/ 100kHz)	Endurance @ 105°C (Hours)	Dimensions (mm)					Appearance Drawing No
															D Φ	L	a	d	F	
1	PJ2W220MBD1620	/	22 μF	±20%	450 V	/	-25~+105	/	/	290	/	/	/	10000	16	20	/	/	7.5	FIG-1
2	PJ2W151MRT1845	/	150 μF	±20%	450 V	/	-25~+105	/	/	1000	/	/	/	10000	18	45	/	/	7.5	FIG-2
3	PJ2W121MRT1836	/	120 μF	±20%	450 V	/	-25~+105	/	/	900	/	/	/	10000	18	36	/	/	7.5	FIG-2
4	PJ2W121MRT1640AF8	/	120 μF	±20%	450 V	/	-25~+105	/	/	800	/	/	/	8000	16	40	/	/	7.5	FIG-2

※Test leakage current before testing dissipation factor and capacitance during the electric characteristic test.

<b>REMARKS:</b>	<b>APPROVED BY</b>	<b>CHECKED BY</b>	<b>PREPARED BY</b>
Sleeve Color: Black. Suffix F8 indicates the life of the capacitor is 8000 hrs.	张洪斌	曾爱娥	梁慧妍