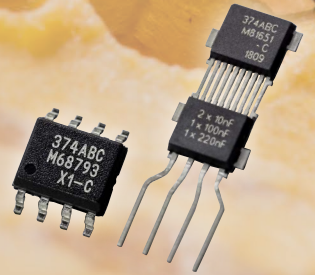


MLX90374

POSITION SENSOR



Thanks to its magnetic compass, the fascinating honey bee has the ability to perceive the omnipresent magnetic field (MF) of the Earth. This magnetic field sensitivity matches this wonderful creature with our Triaxis® magnetic sensors.

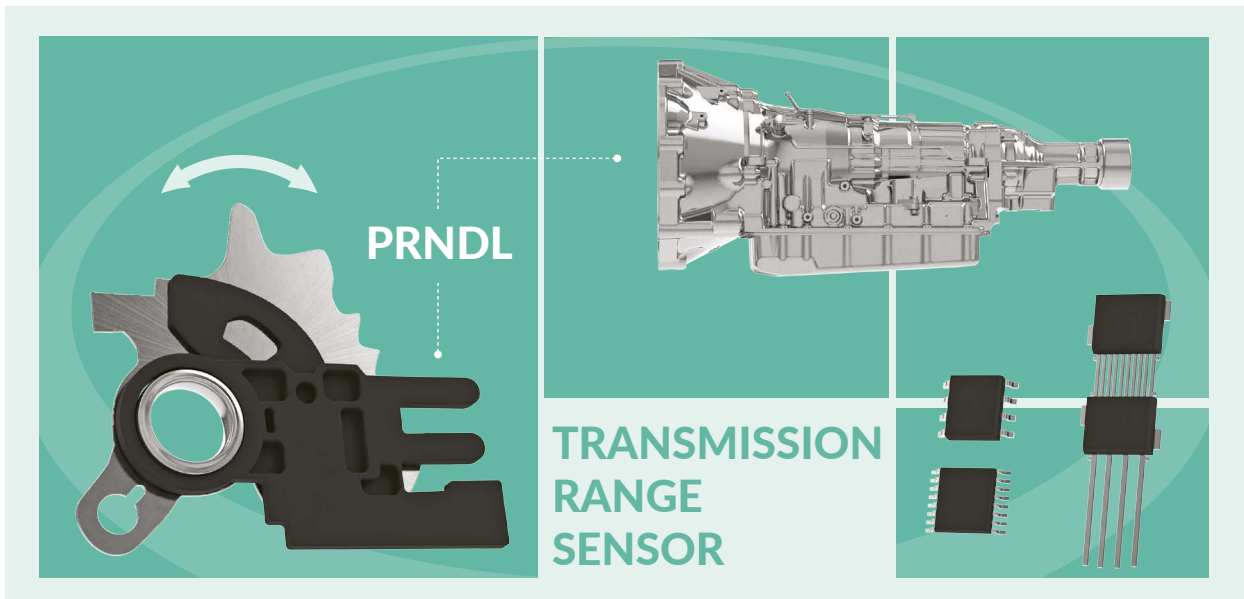
MAGNETIC FIELD SENSOR

The MLX90374 is a Triaxis® position sensor offering two independently configurable outputs. With additional options for a stray field robust mode, high operating voltage and temperature operation, and ASIL-C capability (per die), the MLX90374 is ideally configured to support transmission sensors, powertrain actuators, and a wide variety of other automotive applications.

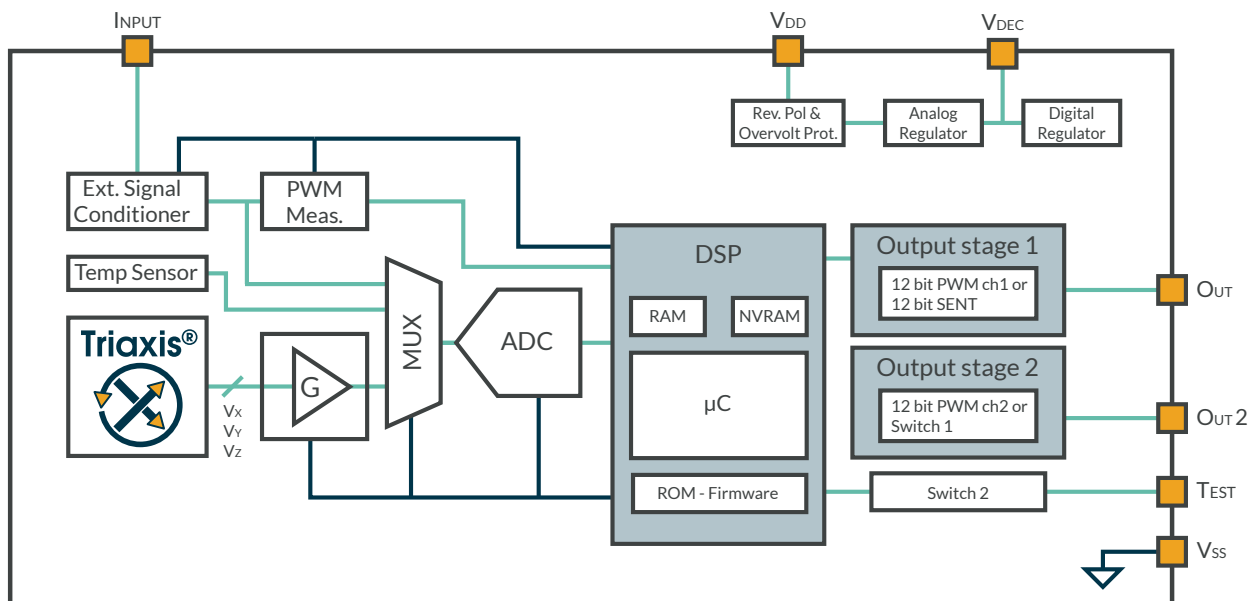
KEY FEATURES

- ✓ Highly flexible position sensing
 - On-axis rotary
 - Off-axis rotary
 - Linear stroke
- ✓ ASIL-C (SEooC) component
 - **ASIL READY** BY MELEXIS
- ✓ Stray field immune (up to 4 kA/m) mode of operation
- ✓ In-application programmable
- ✓ Two configurable output drivers supporting
 - 2x PWM
 - 1x SENT or PWM, 1x Switch
 - 1x SENT or PWM, 2x Switch
- ✓ EMC capable to automotive OEM requirements
- ✓ Variety of package types
 - SOIC-8, single die package
 - DMP-4, single die PCB-less package
- ✓ Operating temperature = -40...160 °C

APPLICATION VISUAL



BLOCK DIAGRAM



The above information is "as is" and believed to be correct and accurate. Melexis disclaims any and all liability in connection with or arising out of the furnishing, application or use of the information or products; any and all liability, including without limitation, special, consequential or incidental damages and any and all warranties, express, statutory, implied, or by description, including warranties of fitness for particular purpose, non-infringement and merchantability. Melexis reserves the right to change it at any time and without notice. Users should obtain the latest version of the information to verify it is current. Users must further determine the suitability of a product for its application, including the level of reliability required and determine whether it is fit for a particular purpose. Export control regulations may apply and export might require a prior authorization from competent authorities. Melexis' products are intended for use in normal commercial applications. Unless otherwise agreed upon in writing, the products are not designed, authorized or warranted to be suitable in applications requiring extended temperature range and/or unusual environmental requirements. High reliability applications, such as medical life-support or life-sustaining equipment are specifically not recommended by Melexis. Melexis' products are sold under the Melexis' Terms of Sale, which can be found at <https://www.melexis.com/en/legal/terms-and-conditions>.