



**ANATECH ELECTRONICS INC**  
RF & Microwave Filters & Products

## 2.83 MHz LC Band Pass Filter

**Part Number: AE2.83B5443**



### Electrical Specifications

**Center Frequency:** 2.83 MHz

**3dB Passband:** 2.38-3.37 MHz

**Insertion Loss:** 4.0dB Max.

**Return Loss:** 14dB Min.

**Rejection1:**  $\geq 40\text{dB}$  @ 2 MHz

**Rejection2:**  $\geq 40\text{dB}$  @ 3.89 MHz

**Impedance:** 50 Ohms

### Mechanical

**Mounting Method:** Threaded Holes

**Connector Type:** SMA(F)

**Dimensions:** 2.38" X 1.0" x 1.0".

### Environmental

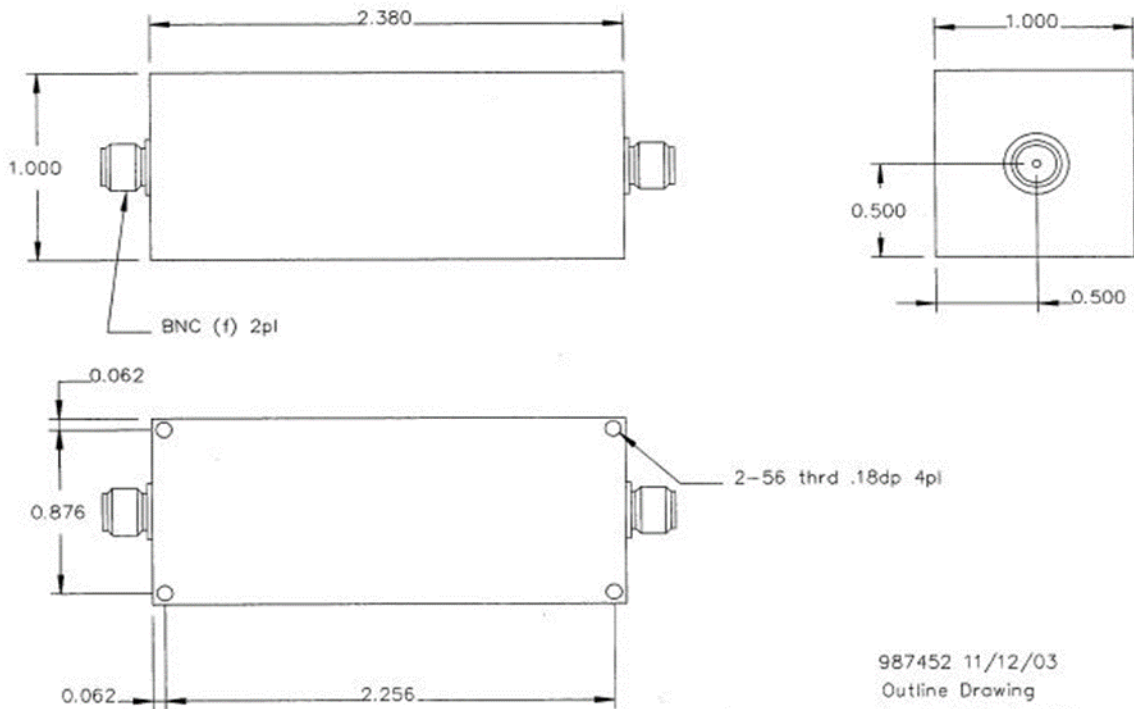
**Operating Temperature:** -25°C to +70°C

**Storage Temperature:** -40°C to +90°C

**Shock:** 10 G. 11ms

**Vibration:** 10 G. 5 to 200Hz

### Outline Drawing:



987452 11/12/03  
Outline Drawing  
Anatech Electronics  
(987007)

Tolerance: +/-0.01 inches [+/- 0.3mm]

Angles: +/- 1 Deg.

\*Tolerance as shown unless otherwise specified in the datasheet electrical specification tables above.

\*When max dimensions are called out the above tolerances do not apply as long as it is under the max call out.

**70 Outwater Lane Phone: (973) 772-4242**  
**Garfield, NJ 07026 Fax : (973) 321-3941**

**Email: [sales@anatechelectronics.com](mailto:sales@anatechelectronics.com)**  
**Web: [www.anatechelectronics.com](http://www.anatechelectronics.com)**



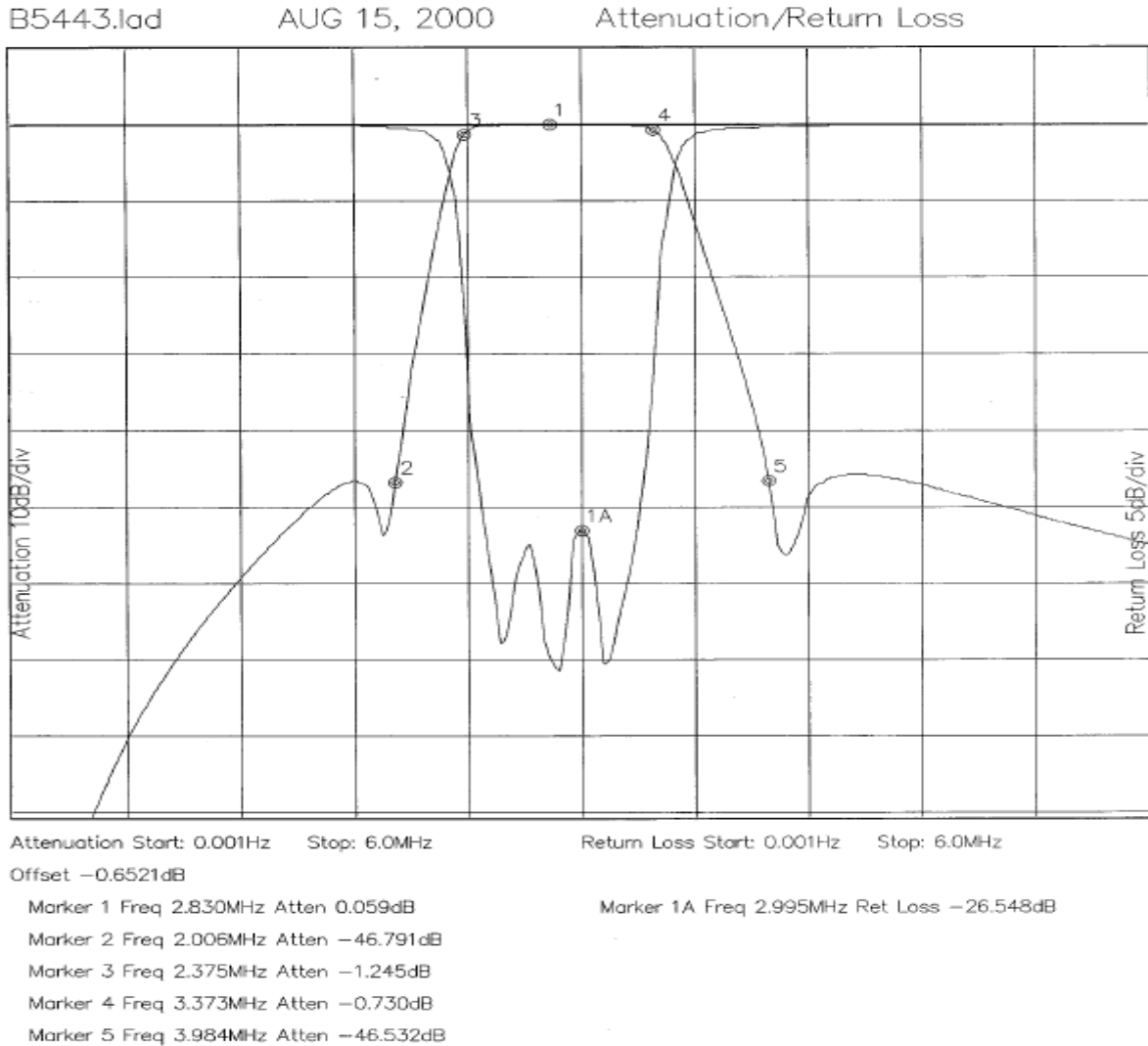
**ANATECH ELECTRONICS INC**  
RF & Microwave Filters & Products

## 2.83 MHz LC Band Pass Filter

Part Number: AE2.83B5443



### Simulation Plot:



Note: This is a simulation Plot. Actual response plot might differ once product is manufactured.

70 Outwater Lane    Phone: (973) 772-4242  
Garfield, NJ 07026    Fax : (973) 321-3941

Email: [sales@anatechelectronics.com](mailto:sales@anatechelectronics.com)  
Web: [www.anatechelectronics.com](http://www.anatechelectronics.com)