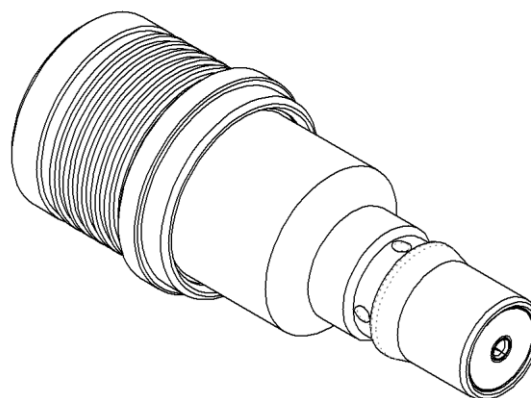
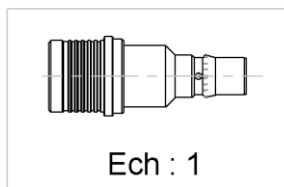
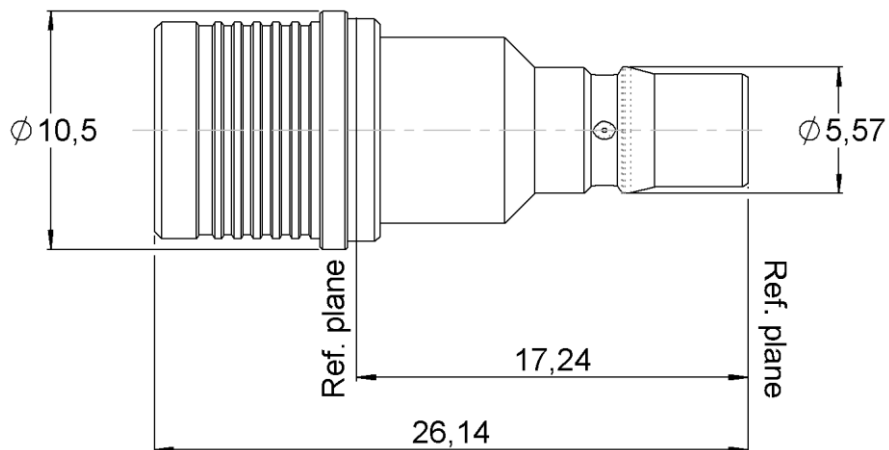
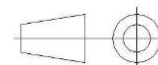


PAGE 1/2	ISSUE 23-11-17D	SERIES ATTENUATEUR	PART NUMBER R411719124
----------	-----------------	-----------------------	------------------------



All dimensions are in mm. Tolerances according ISO 2768 m-H



COMPONENTS	MATERIALS	PLATING (µm)
Body	<b>BRASS</b>	<b>BBR</b>
Male center contact	<b>BRASS</b>	<b>GOLD OVER COPPER</b>
Female center contact	<b>BERYLLIUM COPPER</b>	<b>GOLD OVER COPPER</b>
Outer contact	<b>BRONZE</b>	<b>BBR</b>
Insulator	<b>PTFE</b>	
Gasket		
Substrate	<b>ALUMINA</b>	
Resistor	<b>THICK FILM</b>	
Others parts		

PAGE 2/2	ISSUE 23-11-17D	SERIES ATTENUATEUR	PART NUMBER R411719124
----------	-----------------	-----------------------	------------------------

**ELECTRICAL CHARACTERISTICS**

Frequency (GHz)	DC - 2	2 - 6
V.S.W.R (≤)	1.20	1.30
Deviation(±dB)	0.70	0.70

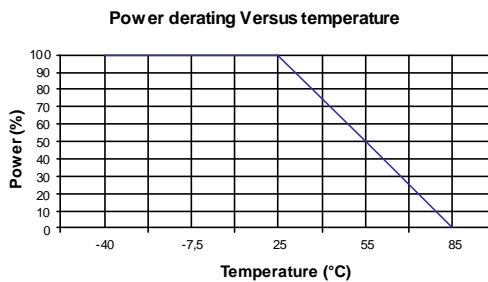
Operating Frequency Range	DC - 6	GHz
Impedance	50	Ω
Nominal Attenuation	19	dB
Peak power at 25°C (1μs, 1%)	100	W
Average power at 25°C	1	W (Free Air Cooled)
		W (Conduction Cooled)

**MECHANICAL CHARACTERISTICS**

Connectors	QMA	Male Female	
Weight	6,3700	g	

**ENVIRONMENTAL CHARACTERISTICS**

Operating temperature range	-40/+85 °C
Storage temperature range	-40/+85 °C



**SPECIFICATION**

**OTHER CHARACTERISTICS**