

XLM-15.0-M5

Industrial LCD Monitors (Touch Optional)

Since 1994 EarthLCD has supplied LCD monitor solutions for industrial machines, CRT replacement, point-of-sale and medical equipment. Available interfaces include NTSC, HDMI and VGA. Touchscreens are available in resistive and capacitive touch interfaces. By using our open frame, our LCD expertise has been honed to help customers meet their specific needs.

Earth Computer Technologies, Inc is a maker of industrial LCDs and embedded products including the award-winning ezLCD technology from EarthLCD, the recognized leader in smart touch LCDs.



15" Industrial LCD Monitor

Commercial and industrial applications include: ATM machines, industrial equipment, instrumentation, kiosks, military, medical, arcade games, marine, security, test equipment, gaming, or any application requiring a color LCD display.

Features:

- 15" XGA LCD panel with LED backlight
- HDMI, VGA and NTSC/PAL video inputs
- Commercial and industrial applications
- 0°C ~ +60°C operating temperature range
- Contrast ratio: 350:1 typical
- 350 cd/m2 Brightness typical
- 20,000 hours LED life typical
- OSD Controls: contrast, phase, clock, color, H&V position, auto-tune, recall
- VESA and multiple mounting hole options
- Base stand with tilt included
- +12V power supply included

Options (sold separately):

- USB four wire resistive touchscreen
- HDMI or VGA Cable

Product Specifications:

- Screen Size (Diagonal): 15"
- Display Technology: TFT
- Resolution: 1024 x 768 (XGA)
- Brightness: 350 Nits
- Interface Input Modes: VGA
- Colors: 16 Million
- Active Area (mm): 228.09 x 304.13
- Contrast Ratio: 350:1
- Horizontal Viewing Angle: 80° L/R
- Vertical Viewing Angle: 55° (U) / 80° (D)
- Operating Temperature: 0°C to 60°C
- Storage Temperature: -25°C to 60°C
- Input Voltage: +12V DC
- Power Consumption: 1300 mA
- Display Backlight: CCFL
- RoHS Compliant: Yes
- Outline Dimensions: 273.69 x 352.93 (mm)
- Outline Dimensions (in): 10.78 x 13.90
- High-Bright Option: 1,000 Nits
- Touch Screen Version Available: Yes

Standard: XLM-15.0-M5

Hi-Bright: XLM-15.0-M5-HB

Touch: XLM-15.0-M5-RT-USB

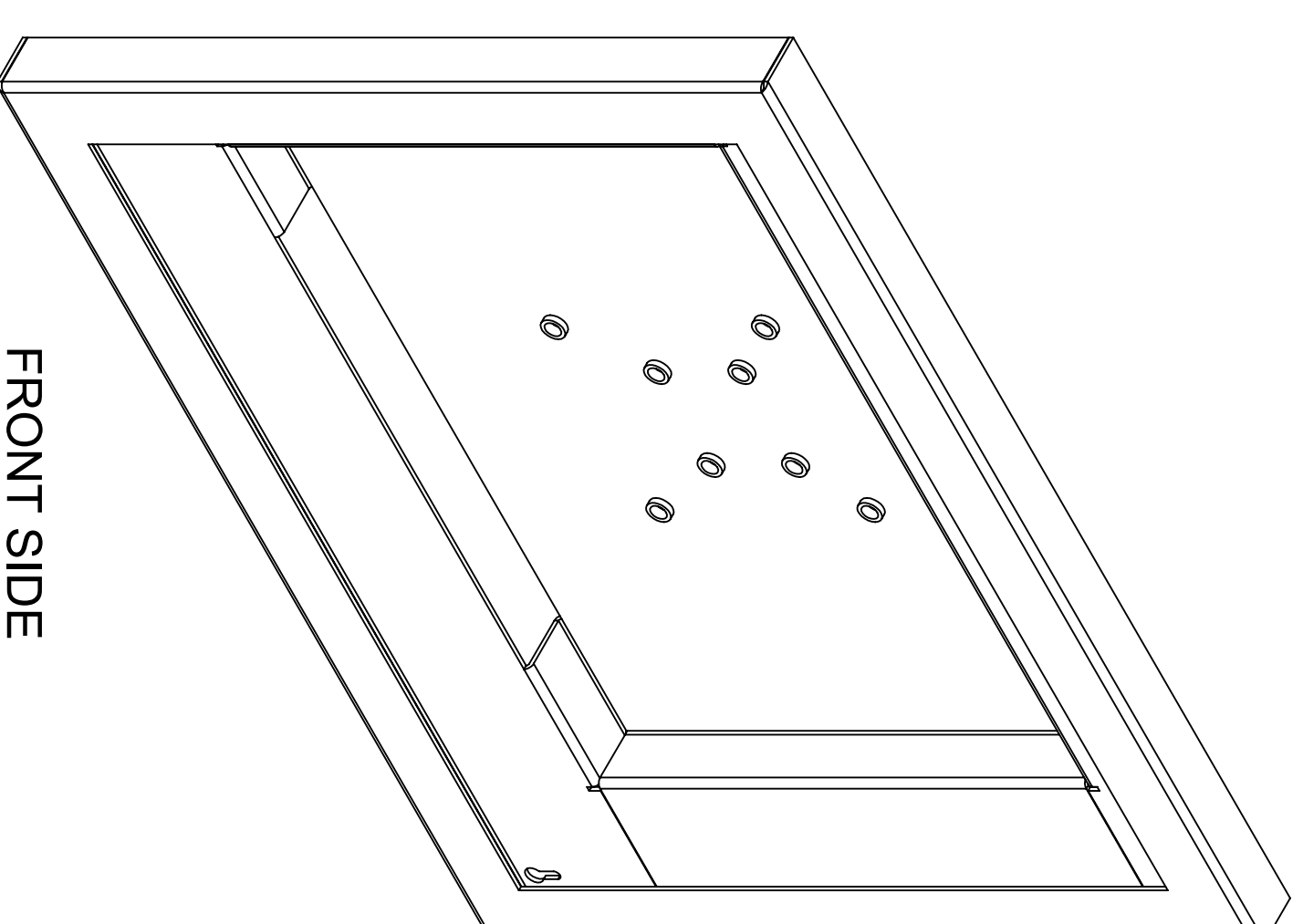
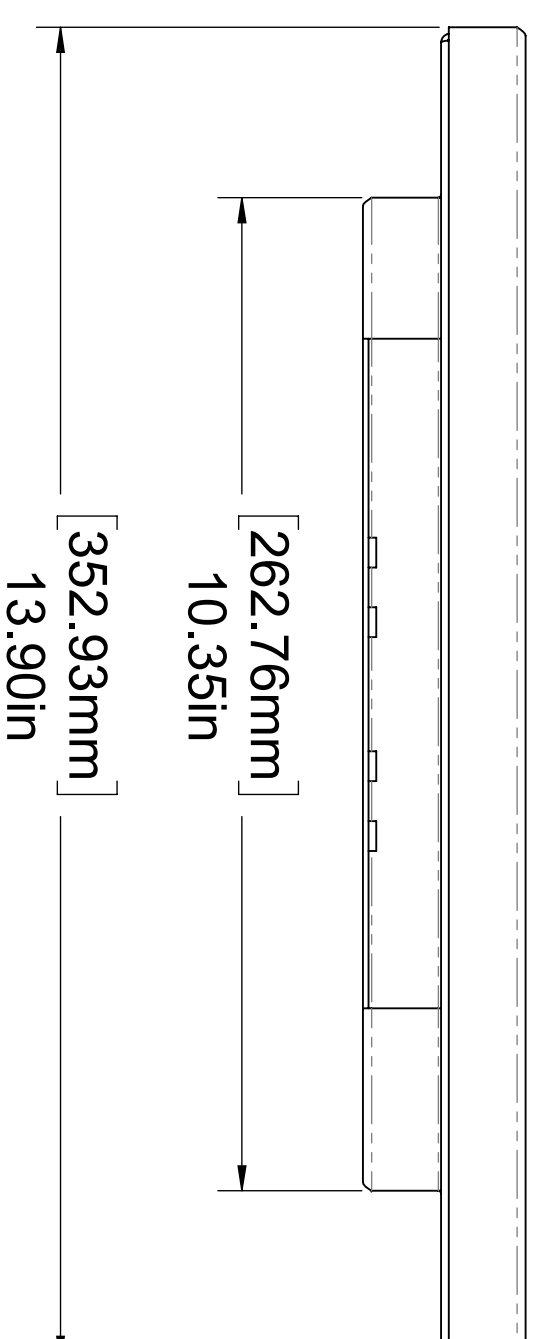
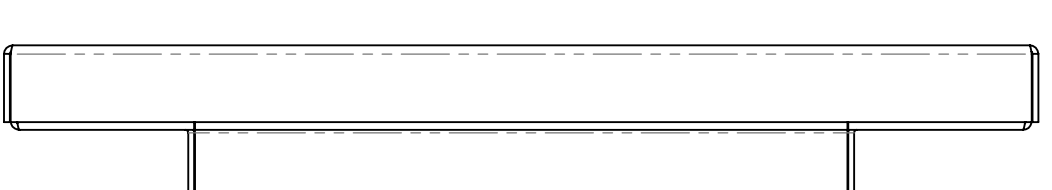
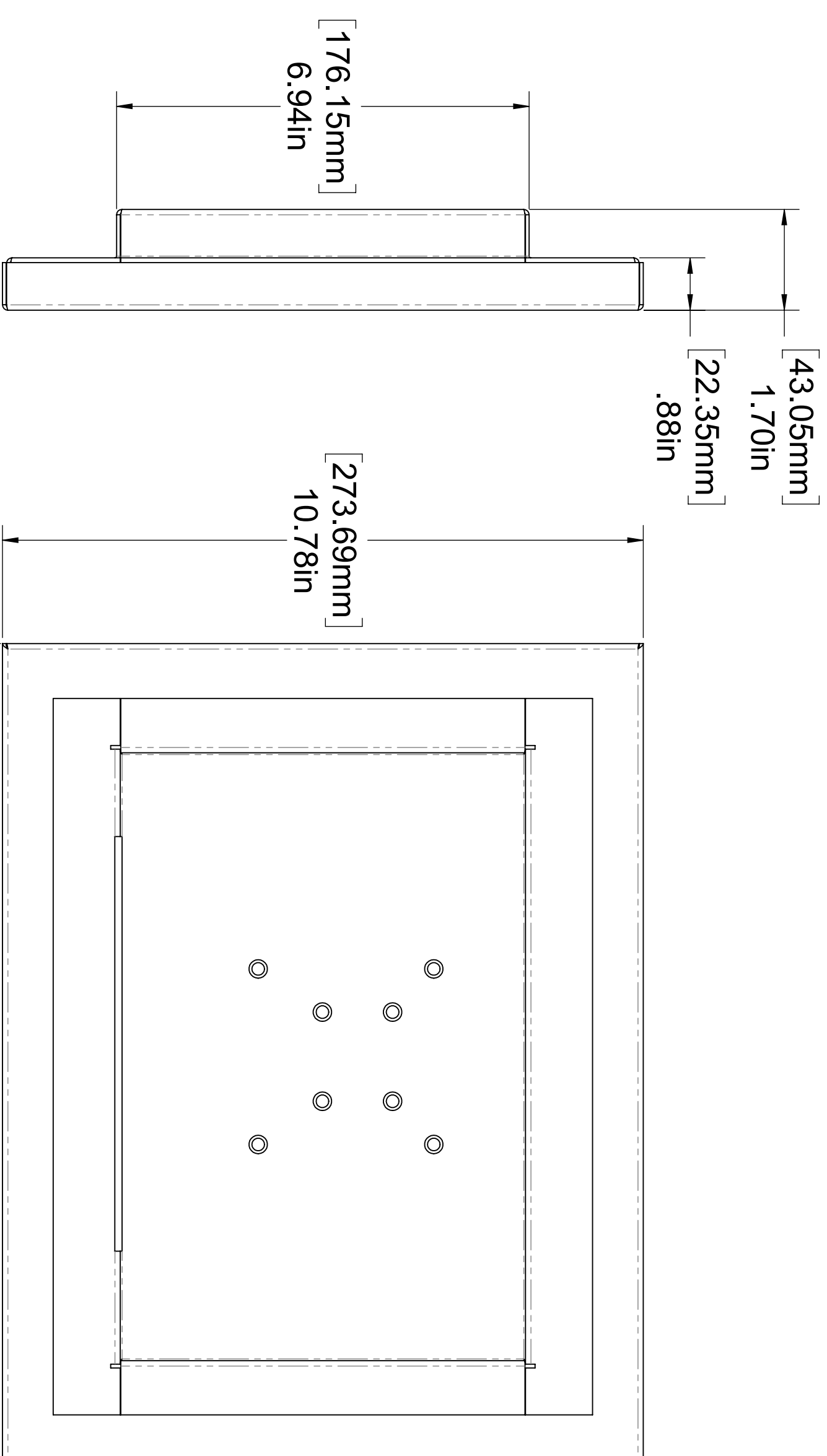
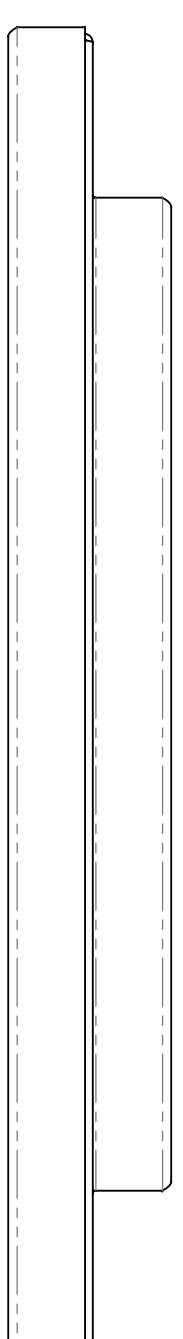
Hi-Bright: XLM-15.0-M5-HB-RT-USB

GENERAL NOTES:

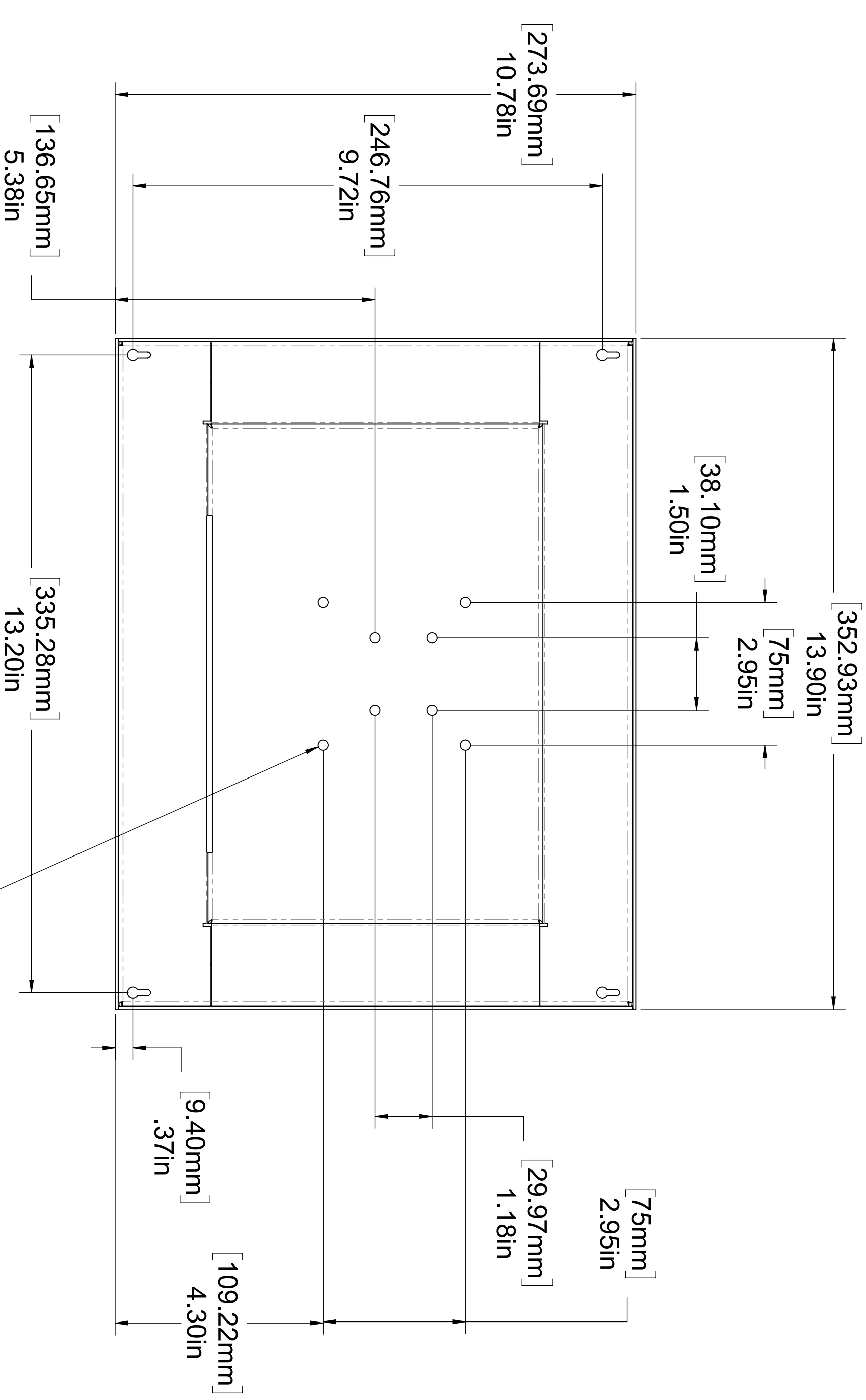
/1/ XLM-15.0-M5 DATASHEET REFERENCE

REVISIONS

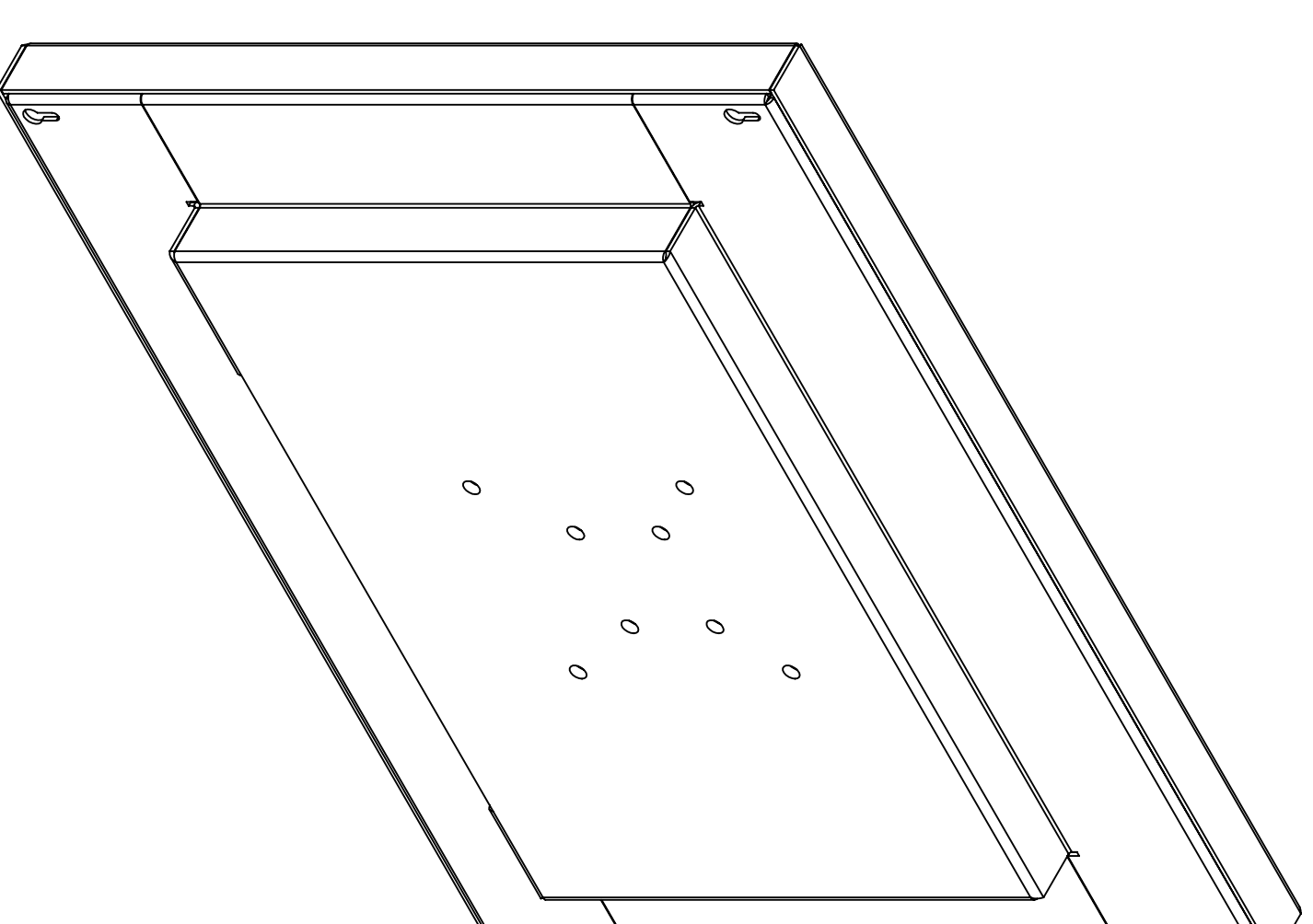
ZONE	REV.	DESCRIPTION	DATE	APPROVED
	X1	XLM-15.0-.5	2020-06-25	



FRONT SIDE



M4 HARDWARE (8X)



BACK SIDE

THIRD ANGLE PROJECTION

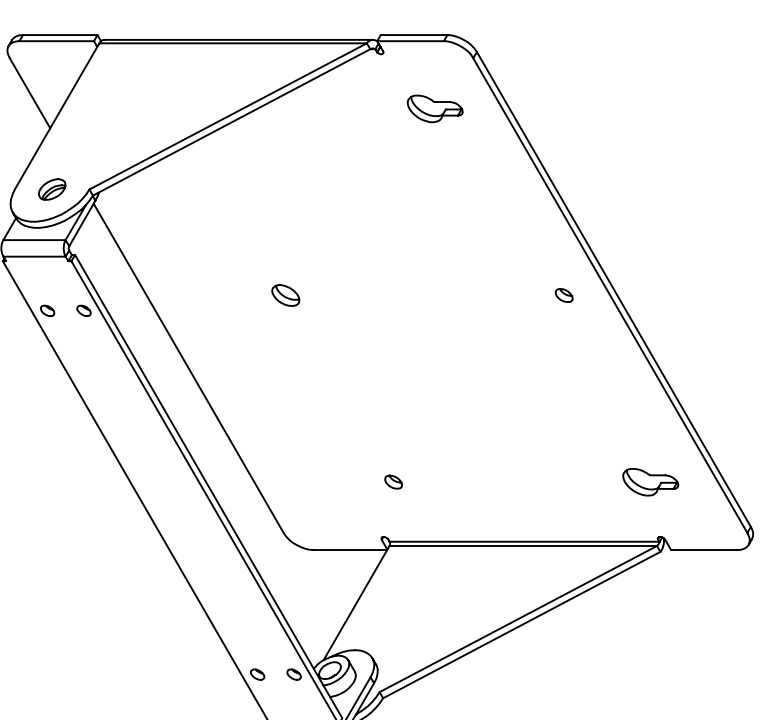
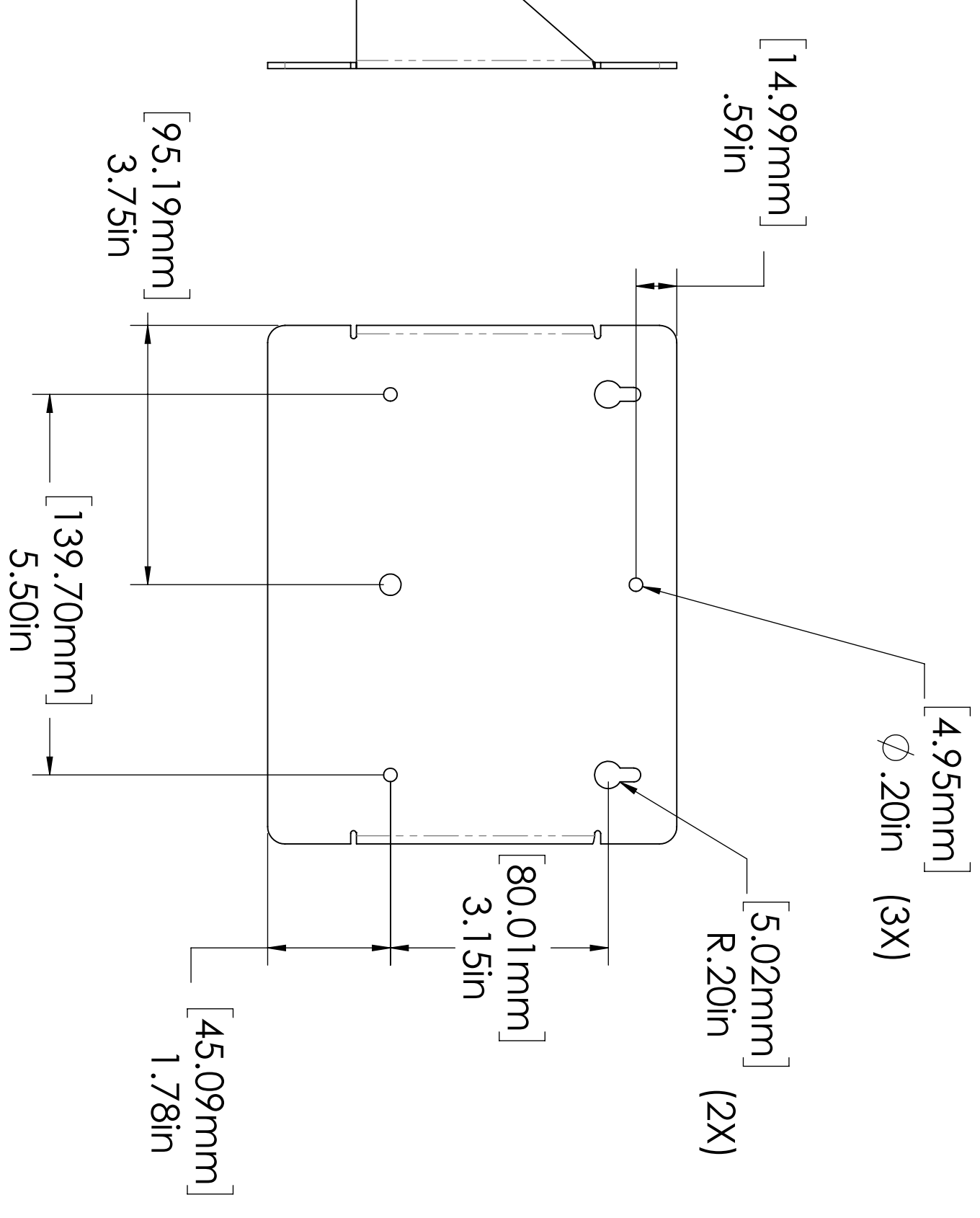
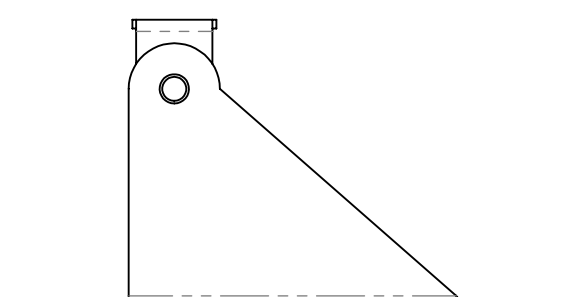
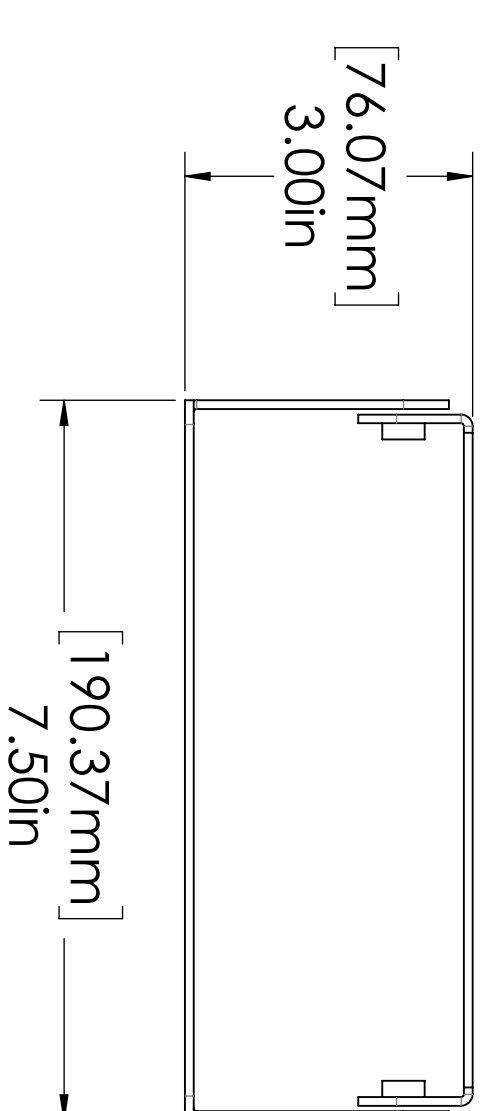
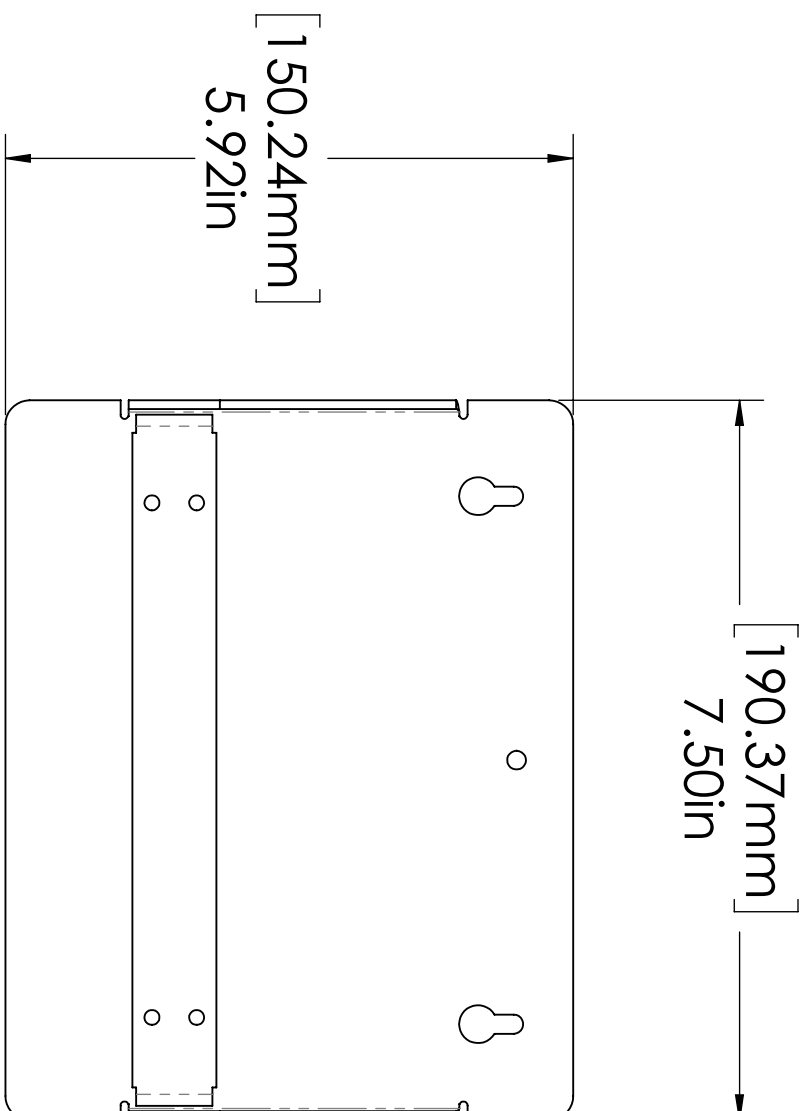
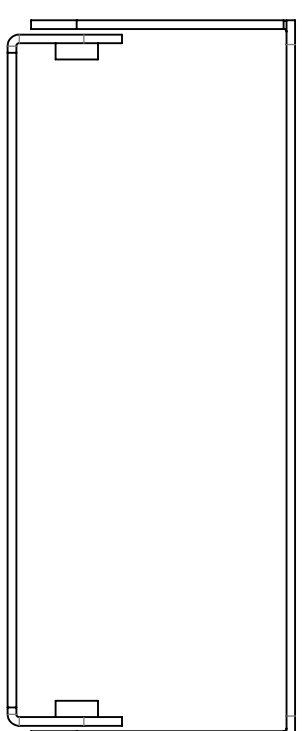
THE INFORMATION CONTAINED IN THIS DRAWING IS THE SOLE PROPERTY OF HARTMANN & KONIG. NO PART OF THIS DRAWING MAY BE REPRODUCED OR TRANSMITTED IN ANY FORM OR BY ANY MEANS WITHOUT THE WRITTEN PERMISSION OF HARTMANN & KONIG.

NAME	DATE	TITLE
DESIGNED BY: [REDACTED]	2020-06-25	EarthLCD
CHECKED BY: [REDACTED]		
ENGINEER: [REDACTED]		
DRAWING NO: [REDACTED]		
SCALE: 1:2		
WEIGHT:		
SHEET 1 OF 1		

UNLESS OTHERWISE SPECIFIED:
 DIMENSIONS ARE IN INCHES
 TOLERANCES:
 FRACTIONAL ±.010"
 DECIMAL ±.005"
 TWO PLACE DECIMAL ±.005"
 HOLE FACE DIMENS. ±.005"
 HOLE POSITION ±.005"
 HOLE DRILLING ±.005"
 UNIVERSAL
 FINISH SEE NOTES
 SEE NOTES
 Q.A.
 DRAWING NO: XLM_15.0_M5_ASY_X1
 PART NO: XLM-15.0-M5
 REV: X1
 SHEET 1 OF 1

GENERAL NOTES:
/1/ TILT STAND DATASHEET.

REVISIONS		DATE	APPROVED
ZONE	REV.	DESCRIPTION	
X1		TILT STAND	2020-06-25



UNLESS OTHERWISE SPECIFIED:		NAME	DATE
DIMENSIONS ARE IN INCHES		JTU	2020-06-25
TOLERANCES:		CHECKED	
FRACTIONAL		ENG APPR.	
DECIMAL		MFG APPR.	
THREE PLACE DECIMAL +0.01		Q.A.	
OTHERWISE AS SHOWN		DRAWING NO:	
INTERPRET GEOMETRIC TOLERANCING PER:		TILT_STAND_ASY_X1	
MATERIAL		SIZE	PART NO:
SEE MATERIAL		C	TILT STAND
FINISH		SCALE: 1:2	WEIGHT:
SEE MATERIAL			SHEET 1 OF 1
APPLICATION			
NEXT ASSY			
USED ON			
TC_PROG_2020_006			
DO NOT SCALE DRAWING			

THIRD ANGLE PROJECTION

PROHIBITARY AND CONFIDENTIAL
THE INFORMATION CONTAINED IN THIS DRAWING IS THE PROPERTY OF EARTH LCD. ANY REPRODUCTION IN PART OR AS A WHOLE WITHOUT THE WRITTEN PERMISSION OF EARTH LCD IS PROHIBITED.

EarthLCD

TILT STAND

SCALE: 1:2 WEIGHT: SHEET 1 OF 1