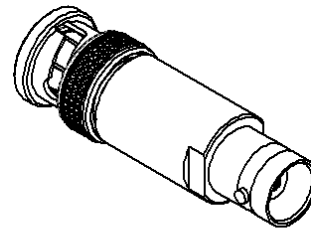
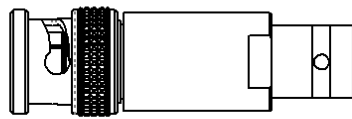
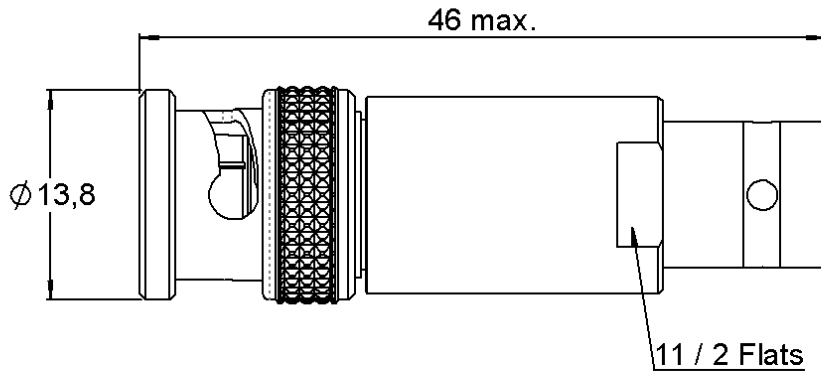
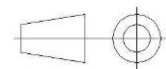


|          |                 |                      |                               |
|----------|-----------------|----------------------|-------------------------------|
| PAGE 1/2 | ISSUE 17-07-15A | SERIES<br>ATTENUATOR | PART NUMBER <b>R414410150</b> |
|----------|-----------------|----------------------|-------------------------------|



All dimensions are in mm.



| COMPONENTS            | MATERIALS               | PLATING ( $\mu\text{m}$ ) |
|-----------------------|-------------------------|---------------------------|
| Body                  | <b>STAINLESS STEEL</b>  | <b>PASSIVATED</b>         |
| Male center contact   | <b>BERYLLIUM COPPER</b> | <b>GOLD OVER NICKEL</b>   |
| Female center contact | <b>BERYLLIUM COPPER</b> | <b>GOLD OVER NICKEL</b>   |
| Outer contact         | <b>BRASS</b>            | <b>NICKEL</b>             |
| Insulator             | <b>PTFE</b>             |                           |
| Gasket                | <b>SILICONE RUBBER</b>  |                           |
| Substrate             | <b>ALUMINA CERAMIC</b>  |                           |
| Resistor              | <b>THIN FILM</b>        |                           |
| Others parts          | -                       | -                         |

|          |                 |                             |                               |
|----------|-----------------|-----------------------------|-------------------------------|
| PAGE 2/2 | ISSUE 17-07-15A | SERIES<br><b>ATTENUATOR</b> | PART NUMBER <b>R414410150</b> |
|----------|-----------------|-----------------------------|-------------------------------|

### ELECTRICAL CHARACTERISTICS

|                 |               |              |
|-----------------|---------------|--------------|
| Frequency (GHz) | <b>DC - 2</b> | <b>2 - 4</b> |
| V.S.W.R (≤)     | <b>1.08</b>   | <b>1.15</b>  |
| Deviation(±dB)  | <b>0.4</b>    | <b>0.4</b>   |

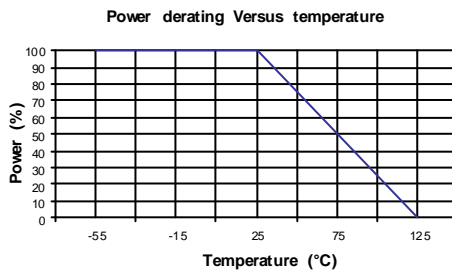
|                              |               |                       |
|------------------------------|---------------|-----------------------|
| Operating Frequency Range    | <b>DC - 4</b> | GHz                   |
| Impedance                    | <b>50</b>     | Ω                     |
| Nominal Attenuation          | <b>10</b>     | dB                    |
| Peak power at 25°C (1μs, 1%) | <b>50</b>     | W                     |
| Average power at 25°C        | <b>2</b>      | W (Free Air Cooled)   |
|                              |               | W (Conduction Cooled) |

### MECHANICAL CHARACTERISTICS

|            |                  |                    |                    |
|------------|------------------|--------------------|--------------------|
| Connectors | <b>BNC</b>       | <b>Male Female</b> | <b>MIL-C 39012</b> |
| Weight     | <b>26,9000</b> g |                    |                    |

### ENVIRONMENTAL CHARACTERISTICS

|                             |                    |
|-----------------------------|--------------------|
| Operating temperature range | <b>-55/+125</b> °C |
| Storage temperature range   | <b>-55/+125</b> °C |



### SPECIFICATION

### OTHER CHARACTERISTICS