

# Retroreflective sensor OBS4000-18GM60-E5

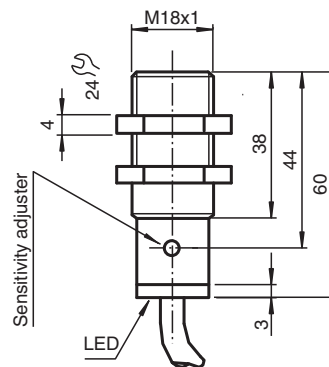


- Dual color indication LED
- Glare protected with polarization filter
- Light-on/dark-on, programmable
- Sensitivity adjuster for optimal adaptation to the application
- Degree of protection IP67
- Strong metallic housing in cylindrical shape M18 x 1

Retroreflective sensor with polarization filter



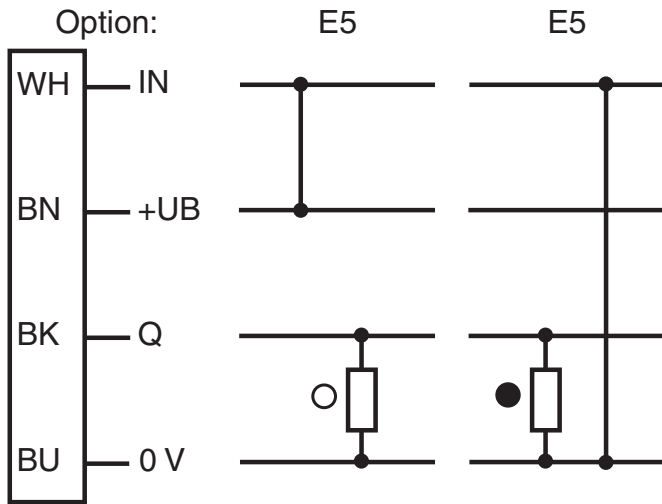
## Dimensions



## Technical Data

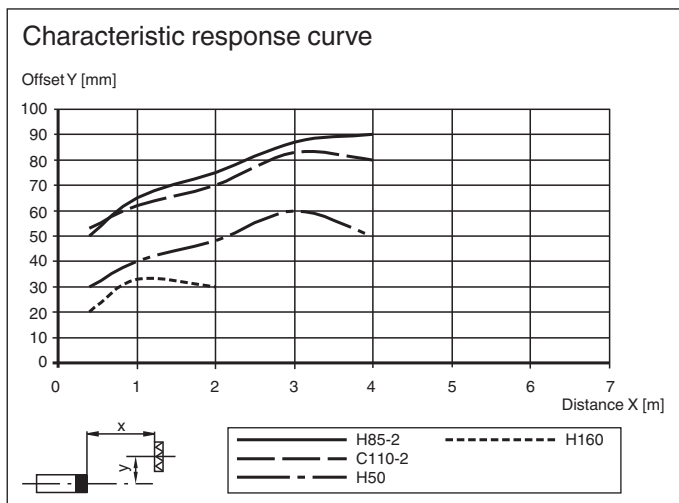
General specifications		
Effective detection range		0 ... 4 m
Threshold detection range		4.5 m
Reference target		H50 reflector
Light source		LED
Light type		modulated visible red light , 660 nm
Polarization filter		yes
Diameter of the light spot		approx. 200 mm at detection range 4 m
Opening angle		3 °
Optical face		frontal
Ambient light limit		10000 Lux
Indicators/operating means		
Operation indicator		LED green
Function indicator		Dual color-LED, yellow/green yellow: switch state green: power on flashing: stability control
Control elements		sensitivity adjustment
Electrical specifications		
Operating voltage	$U_B$	10 ... 30 V DC , class 2
Ripple		10 %
No-load supply current	$I_0$	≤ 25 mA
Time delay before availability	$t_v$	≤ 25 ms
Output		
Switching type		light/dark on electrically switchable
Signal output		1 PNP output, short-circuit protected, reverse polarity protected, open collector
Switching voltage		max. 30 V DC
Switching current		max. 100 mA
Voltage drop	$U_d$	≤ 2.5 V
Switching frequency	$f$	500 Hz
Response time		1 ms
Conformity		
Product standard		EN 60947-5-2
Compliance with standards and directives		
Standard conformity		
Standards		UL 508
Approvals and certificates		
EAC conformity		TR CU 020/2011
UL approval		cULus Listed, Type 1 enclosure
CCC approval		CCC approval / marking not required for products rated ≤36 V
Ambient conditions		
Ambient temperature		-25 ... 55 °C (-13 ... 131 °F)
Storage temperature		-40 ... 70 °C (-40 ... 158 °F)
Mechanical specifications		
Degree of protection		IP67
Connection		2 m fixed cable
Material		
Housing		brass, nickel-plated
Optical face		PMMA
Mass		110 g

**Connection Assignment**



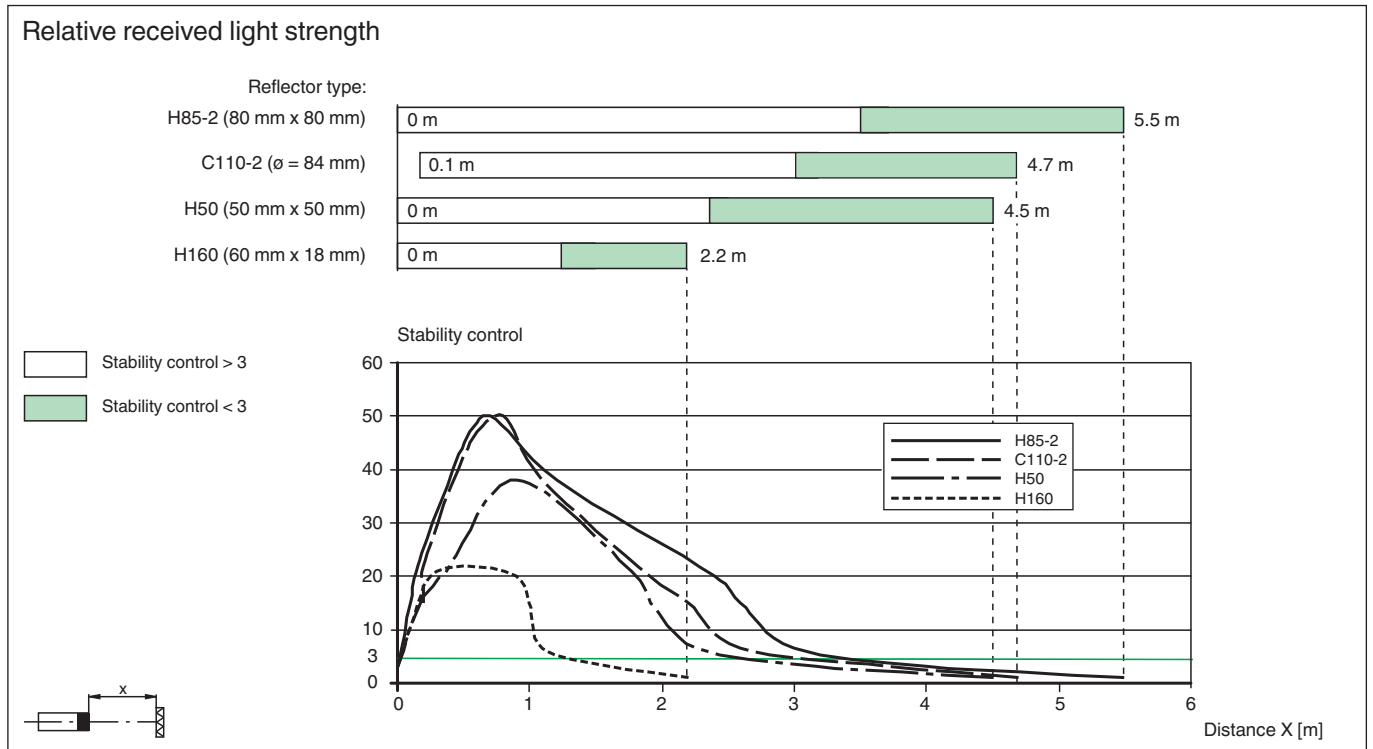
○ = Light on  
● = Dark on

**Characteristic Curve**



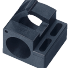





Release date: 2022-08-08 Date of issue: 2022-08-08 Filename: 087800\_eng.pdf

## Characteristic Curve



## Accessories

	<b>CPZ18B03</b>	Mounting Bracket with swivel nut
	<b>BF 18</b>	Mounting flange, 18 mm
	<b>BF 18-F</b>	Plastic mounting adapter, 18 mm
	<b>BF 5-30</b>	Universal mounting bracket for cylindrical sensors with a diameter of 5 ... 30 mm
	<b>REF-H85-2</b>	Reflector, rectangular 84.5 mm x 84.5 mm, mounting holes
	<b>REF-H50</b>	Reflector, rectangular 51 mm x 61 mm, mounting holes, fixing strap

Release date: 2022-08-08 Date of issue: 2022-08-08 Filename: 087800\_eng.pdf