



SPECIFICATION
FOR ELECTRO-MAGNET TRANSDUCER

TOTAL PAGE 07 www.be-star.com RoHS

Customer		Model Name	BMT1606H14 LF
Customer P/N		Product No.	010309
Date	12 Oct. 07	Issue No.	BS/TET01.014B
Page	01 of 07	Issue Date	07/10/12

Approval:

- 1.Characteristics
- 2.Dimension
- 3.Reliability Test
- 4.Packing
5. Notice
6. History change record

Drawn by	Checked by	Approved by	Customer approved
魏奉玲	徐波	陶红仲	

BESTAR ELECTRONICS INDUSTRY CO.,LTD

No.199 HuangHe West Road.New district,ChangZhou,JiangSu Province,P.R.China

Tel: +86 519 88222567 **Fax:** +86 519 88222551

E-mail:wu@be-star.com **<http://www.be-star.com>**

BMT1606H14 LF



1. Characteristics

1.1 Electrical and Mechanical Characteristics

No.	Item	Specifications
1	Operating Voltage	4...8Vo-p
2	Rated Voltage	6Vo-p
3	Coil resistance	45±7 Ω
4	b)Coil Impedance	110 Ω
5	a)Sound Output Level at 10cm	≥85dBA
6	a)Rated Current	≤40mA
7	Resonant Frequency	2048Hz
8	Operating Temperature	-40...+85°c
9	Storage Temperature	-40...+85°c
10	Weight	7g

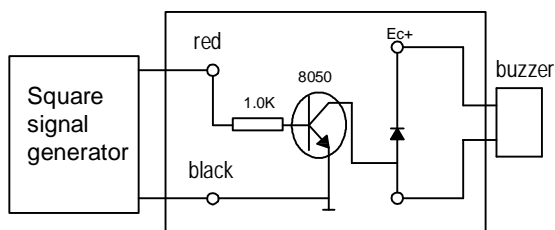
a)rated voltage applied ,square-wave,frequency 2048Hz,50% duty

b)rated voltage applied ,sine-wave,frequency 2048Hz,measuring current 60 μA

1.2 Test method:

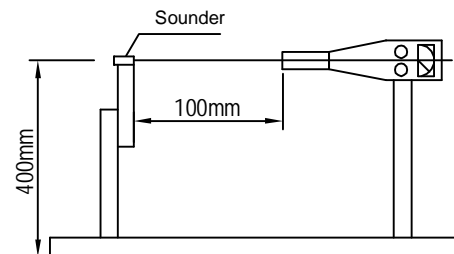
1.31 Recommended Circuit

the following are examples of externally driven circuits.



1.32. Standard text Fixture

No reaction in space with in 400mm in all direction



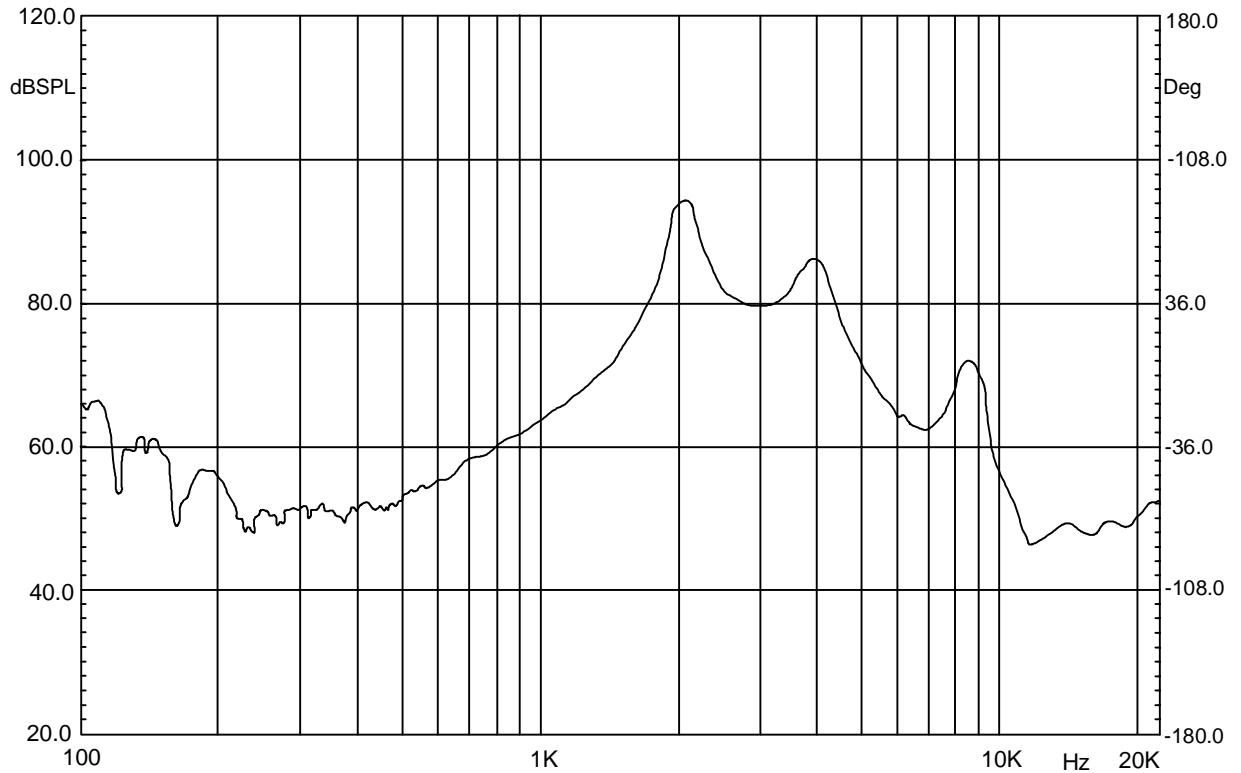
This print and information there in are proprietary to Bestar Electronics Industry Co., Ltd. and shall not be used in whole or in part without its written content.

				Date:	07/10/12	BMT1606H14 LF	
B	07/10/12	魏奉玲	ROHS	Drawn by:	魏奉玲		
A	01/05/20	魏奉玲		Checked by:	徐波	Transducer	
Rev.	Date	Drawn	Note	Approved by:	陶红仲		
BESTAR ELECTRONICS INDUSTRY CO.,LTD						DRG NO: BS/TET01.014B	Page:02 of 07
www.be-star.com wu@be-star.com							

BMT1606H14 LF

1.3 Frequency response (square wave 6Vo-p 10cm)

MLS-Frequency Response

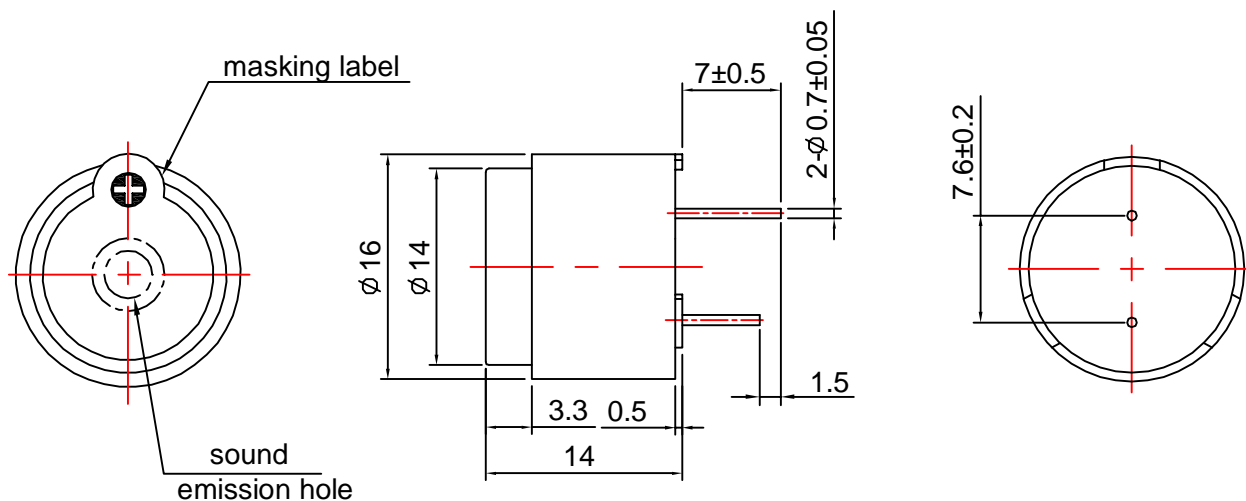


This print and information there in are proprietary to Bestar Electronics Industry Co., Ltd. and shall not be used in whole or in part without its written content.

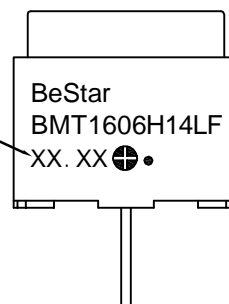
				Date:	07/10/12	BMT1606H14 LF
B	07/10/12	魏奉玲	ROHS	Drawn by:	魏奉玲	
A	01/05/20	魏奉玲		Checked by:	徐波	Transducer
REV.	Date	Drawn	Note	Approved by:	陶红仲	
BESTAR ELECTRONICS INDUSTRY CO.,LTD						DRG NO: BS/TET01.014B
www.be-star.com wu@be-star.com						Page:03 of 07

BMT1606H14 LF

2. Dimension



Remark:
Color of printing:golden
"XX . XX" means "week.year"



Tolerance: $\pm 0.3\text{mm}$

This print and information there in are propriety to Bestar Electronics Industry Co., Ltd. and shall not be used in whole or in part without it's written content

				Date:	07/10/12	BMT1606H14 LF	
B	07/10/12	魏奉玲	ROHS	Drawn by:	魏奉玲		
A	01/05/20	魏奉玲		Checked by:	徐波	Transducer	
REV.	Date	Drawn	Note	Approved by:	陶红仲		
BESTAR ELECTRONICS INDUSTRY CO.,LTD						DRG NO: BS/TET01.014B	Page:04 of 07
www.be-star.com wu@be-star.com							

BMT1606H14 LF

3. Reliability test

3.1 high temperature test

Temperature +85°C
Duration 96hrs

3.2 low temperature test

Temperature -40°C
Duration 96hrs

3.3 life test in normal temperature

Power supply rated voltage
Duration 1000hrs

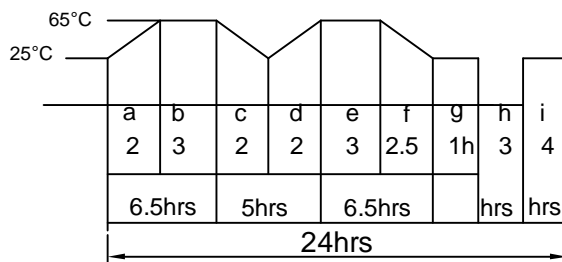
3.4 temperature cycle test

Cycles 10



3.5 Humidity cycle test cycles

10



a,b,c,d,e,f,g90%...98%RH
c,g80%...98%RH

All these tests above should be measured after leaving normal temperature for 2hrs.

3.6 Drop test

Height 70cm (to 10mm thickness woodenboard)
Direction 3(X,Y,Z)
Times 3

3.7 Solderability

Temperature 255±5°C
Times 3±0.5sec

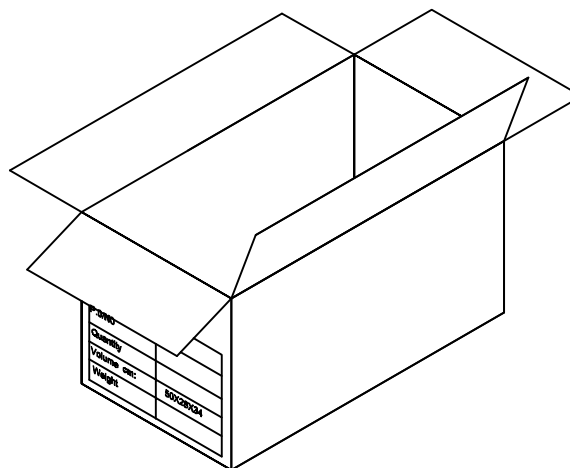
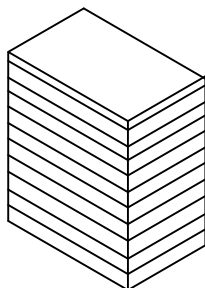
Notice: All specification must be satisfied in this condition except SPL.SPL shall be 82dB or more

This print and information there in are property to Bestar Electronics Industry Co., Ltd. and shall not be used in whole or in part without its written content.

				Date:	07/10/12	BMT1606H14 LF
B	07/10/12	魏奉玲	ROHS	Drawn by:	魏奉玲	
A	01/05/20	魏奉玲		Checked by:	徐波	Transducer
REV.	Date	Drawn	Note	Approved by:	陶红仲	
BESTAR ELECTRONICS INDUSTRY CO.,LTD						DRG NO: BS/TET01.014B
www.be-star.com wu@be-star.com						Page:05 of 07

BMT1606H14 LF

4. Packing



- 1)50pcs/tray
- 2)40trays/carton
- 3)2000 pcs/carton in total
- 4)carton size 50x28x34cm

5. Notice

5.1 The products mustn't be washed

5.2 Storage Condition

The products should be stored in the room ,where the temperature/humidity is stable. And avoid such places where there are large temperature changes.

Please store the product set the following conditions:

Temperature: -10 to + 40°C Humidity: 15 to 85% R.H.

5.3 Expire Date on Storage

Expire date (Shelf life) of the products is six months after delivery under the conditions of a sealed and an unopened package. Please use the products within six months after delivery.

If you store the products for a long time (more than six months), use carefully because the products may be degraded in the solderability and/or rusty.Please confirm solderability and characteristics for the products regularly.

5.4 Notice on Product Storage

(1) Please do not store the products in a chemical atmosphere (Acids, Alkali, Bases, Organic gas, Sulfides and so on), because the characteristics may be reduced at quality, and/or be degraded in the solderability due to the storage in a chemical atmosphere.

(2) Please use the products immediately after the package is opened, because the characteristics may be reduced at quality, and/or be degraded in the solderability due to storage under the poor condition.

This print and information there in are propriety to Bestar Electronics Industry Co., Ltd. and shall not be used in whole or in part without its written content

				Date:	07/10/12	BMT1606H14 LF	
B	07/10/12	魏奉玲	ROHS	Drawn by:	魏奉玲		
A	01/05/20	魏奉玲		Checked by:	徐波	Transducer	
REV.	Date	Drawn	Note	Approved by:	陶红仲		
BESTAR ELECTRONICS INDUSTRY CO.,LTD						DRG NO: BS/TET01.014B	Page:06 of 07
www.be-star.com wu@be-star.com							

