



# 456.5 MHz Cavity Band Pass Filter

**ANATECH ELECTRONICS INC**  
RF & Microwave Filters & Products

**Part Number: AE456B11631**



## Electrical Specifications

**Center Frequency:** 456.5 MHz  
**Bandwidth:** 11 MHz  
**Passband:** 451-462 MHz  
**Insertion Loss:** 1.0 dB Max.  
**Return Loss :** 15 dB Min.  
**Rejection1:** ≥ 60dB @ 415-425 MHz  
**Power Handling:** 20W

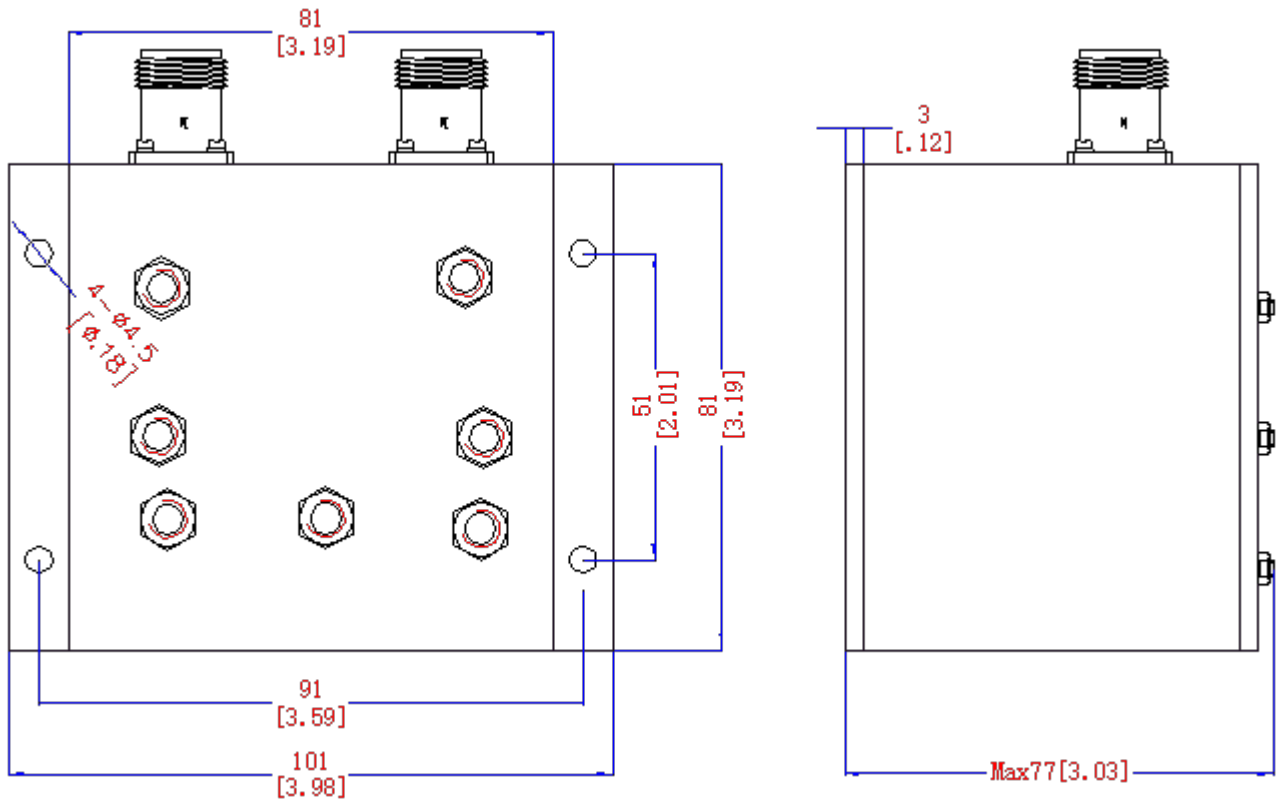
## Mechanical

**Mounting Method:** Through Holes with Bracket  
**Connector Type:** N-type(F)  
**Dimensions:** 3.19" X 3.98" x 3.03"

## Environmental

**Operating Temperature:** -25°C to +70°C  
**Storage Temperature:** -55°C to +90°C  
**Shock:** 20 G. 11ms  
**Vibration:** 20 G. 5 to 200Hz

## Outline Drawing:



2 decimal places: +/-0.01 inches [+/- 0.3mm]  
3 decimal places: +/- 0.005 inches [+/- 0.13mm]  
Angles: +/- 1 Deg.

*When max dimensions are called out the above tolerances do not apply as long as it is under the max call out.*

70 Outwater Lane Phone: (973) 772-4242  
Garfield, NJ 07026 Fax : (973) 321-3941

Email: [sales@anatechelectronics.com](mailto:sales@anatechelectronics.com)  
Web: [www.anatechelectronics.com](http://www.anatechelectronics.com)