



# STDP2690 Advanced DisplayPort to DisplayPort (dual mode) Converter

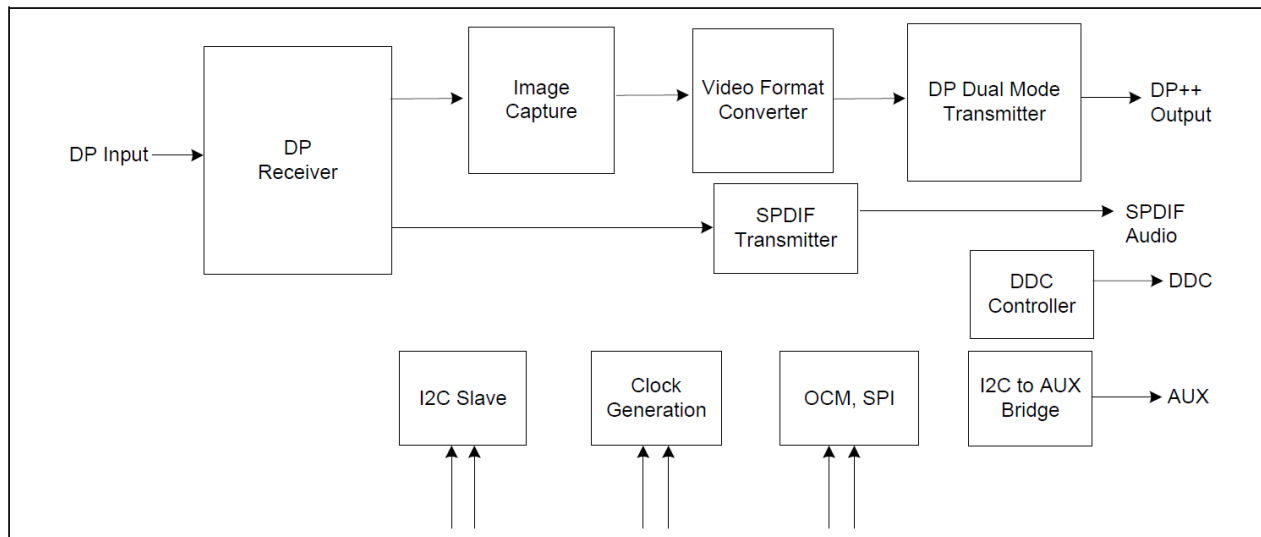
Kinetic Technologies cannot assume responsibility for use of any circuitry other than circuitry entirely embodied in a Kinetic Technologies product. No intellectual property or circuit patent licenses are implied. Kinetic Technologies reserves the right to change the circuitry and specifications without notice at any time.

### Features

- DisplayPort™ dual-mode transmitter
  - DP 1.2a compliant
  - Link rate HBR2/HBR/RBR
  - 1, 2, or 4 lanes
  - AUX CH 1 Mbps
  - Supports eDP operation
  - HDMI/DVI operation with level translator
- DisplayPort receiver
  - DP 1.2a compliant
  - Link rate HBR2/HBR/RBR
  - 1, 2, or 4 lanes
  - AUX CH 1 Mbps
  - Supports eDP operation
- SPDIF audio output
  - 192 kHz/24 bits
  - Compressed/LPCM
- HDCP repeater with embedded keys
- ASSR - eDP display authentication option
- AUX to I2C bridge for EDID/MCCS pass through
- Spread spectrum on DisplayPort interface for EMI reduction
- Device configuration options
  - SPI Flash
  - I2C host interface
- Deep color support
  - RGB/YCC (4:4:4) – 16-bit color
  - YCC (4:2:2) – 16-bit color
  - Color space conversion – YUV to RGB and RGB to YUV
- Bandwidth
  - Video resolution up to 4K x 2K @ 60 Hz; 1920 x 1080 @ 120 Hz
  - Audio 7.1 Ch up to 192 kHz sample rate
- Low power operation; active 493 mW, standby 21 mW
- Package
  - 81 LFBGA (8 x 8 mm)
- Power supply voltages
  - 3.3 V I/O; 1.2 V core

### Applications

- Audio-video accessory (dongle) for PC/notebooks and docking stations
- Thunderbolt source and peripheral devices



## 1. Description

The STDP2690 is a high-speed DisplayPort to DisplayPort dual mode converter IC targeted for applications such as audio-video accessories, docking stations, Thunderbolt storage devices, etc. This device includes a VESA DP Standard Ver. 1.2a compliant receiver and transmitter, implementing single link DisplayPort input and output ports comprising four Main lanes, AUX CH, and HPD.

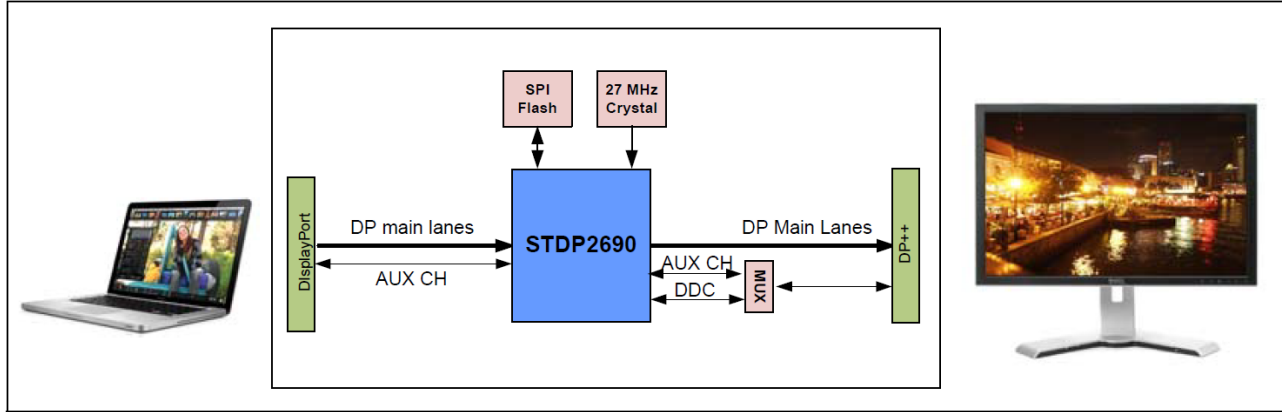
The STDP2690 uses Kinetic's latest generation DisplayPort dual mode transmitter technology that supports both DisplayPort and TMDS signal formats (DP++). DisplayPort receiver and transmitter support HBR2 speed, a data rate of 5.4 Gbps per lane with a total bandwidth of 21.6 Gbps link rate. The transmitter is capable of supporting HDMI or single link DVI output through a passive level translator (dongle). When configured as HDMI output, this device supports link rate up to 2.97 Gbps that corresponds to a pixel rate of 297 MHz, adequate for handling video timings up to FHD 120 Hz 3D formats. This device delivers deep color video up to 16-bits per color at 1080p 60 Hz and lower video resolutions. The STDP2690 allows audio transport from the source to desired audio rendering devices over the DP++ output or through the SPDIF port. The audio signal from the source can be routed simultaneously to DP++ and SPDIF output ports. For example, the STDP2690 allows routing of any two audio channels on the SPDIF port, while transporting up to eight channels on the DP++ port.

The STDP2690 supports RGB and YCbCr colorimetric formats with color depth of 16, 12, 10, and 8 bits. This device features HDCP 1.3 content protection scheme with an embedded key option for secure transmission of digital audio-video content. It also operates as an HDCP repeater for the downstream sink. The eDP authentication option ASSR (Alternative Scrambler Seed Reset) is supported for embedded application.

The AUX-to-I2C translator in the STDP2690 allows the upstream DisplayPort source to access EDID and transfer MCCS commands to a downstream sink over the HDMI interface when used with a level translator. This device has an on-chip microcontroller with SPI and I2C host interface for system configuration purposes. STDP2690 can be configured with an external SPI Flash for custom applications. In addition, it allows register level configuration from an external host controller through I2C interface.

## 2. Application overview

Figure 1. STDP2690 in PC/notebook accessory application



## 3. Ordering information

Table 1. Order codes

Part Number	Operating Temperature	Package
STDP2690-AD	0°C to +70°C	81 LFBGA (8 x 8 mm) delivered in trays
STDP2690-ADT	0°C to +70°C	81 LFBGA (8 x 8 mm) delivered in tape and reel