



DATE: 15 November, 2021

PCN #: 2554

PCN Title: Qualified Additional Assembly & Test Sites, Bill of Material and updated Device Data Sheets for Package Outline Dimension Change

Dear Customer:

This is an announcement of change(s) to products that are currently being offered by Diodes Incorporated.

We request that you acknowledge receipt of this notification within 30 days of the date of this PCN. If you require samples for evaluation purposes, please make a request within 30 days as well. Otherwise, samples may not be built prior to this change. Please refer to the implementation date of this change as it is stated in the attached PCN form. Please contact your local Diodes sales representative to acknowledge receipt of this PCN and for any sample requests.

The changes announced in this PCN will not be implemented earlier than 90 days from the notification date stated in the attached PCN form.

Previously agreed upon customer specific change process requirements or device specific requirements will be addressed separately.

For questions or clarification regarding this PCN, please contact your local Diodes sales representative.

Sincerely,

Diodes Incorporated PCN Team



PRODUCT CHANGE NOTICE**PCN-2554 REV 1**

| Notification Date: | Implementation Date: | Product Family: | Change Type: | PCN #: |
|---|---|-----------------------|--------------------------------------|-------------|
| 15 November, 2021 | 15 February, 2022 | Analog Semiconductors | A/T Sites, BOM and Data Sheet Change | 2554 |
| TITLE | | | | |
| Qualified Additional Assembly & Test (A/T) Sites, Bill of Material (BOM) and updated Data Sheets for Package Outline Dimension Change | | | | |
| DESCRIPTION OF CHANGE | | | | |
| <p>This PCN is being issued to notify customers that in order to assure continuity of supply, Diodes has qualified additional A/T Site JCET Group Co., Ltd. (JCET) located in Suqian, China, and Tianshui Huatian Technology Co., Ltd. (TSHT) located in Tianshui, Gansu, China. In addition, we have qualified (BOM) New Die Revision, PdCu Bond Wire and Lead Frame that includes a Package Outline Dimension (POD) change for SOT353-5L and SOT363-6L as noted in Tables 5 and 6.</p> <p>Full electrical characterization and high reliability testing has been completed on representative part numbers to ensure no change to device functionality or electrical specifications in the datasheet. Refer to the attached qualification report embedded in this file (to view, download this PCN file then open it with a PDF viewer to see the attached qual report).</p> | | | | |
| IMPACT | | | | |
| Continuity of Supply. There will be no change to the Form, Fit or Function of products affected, unless specifically indicated in Table 5 and 6. | | | | |
| PRODUCTS AFFECTED | | | | |
| Table 1 - Qualified Additional (BOM) PdCu Bond Wire Table 2 - Qualified Additional AT Site (JCET SQ) Table 3 - Qualified Additional AT Site (TSHT) and New Die Revision Table 4 - Qualified Additional (BOM) Lead Frame with POD Change Table 5 - POD Change for SOT353-5L Table 6 - POD Change for SOT 363-6L | | | | |
| WEB LINKS | | | | |
| Manufacturer's Notice: | https://www.diodes.com/quality/product-change-notices/diodes-product-change-notices/ | | | |
| For More Information Contact: | https://www.diodes.com/about/contact-us/contact-sales/ | | | |
| Data Sheet: | https://www.diodes.com/catalog/ | | | |
| DISCLAIMER | | | | |
| Unless a Diodes Incorporated Sales representative is contacted in writing within 30 days of the posting of this notice, all changes described in this announcement are considered approved. | | | | |

Table 1 - Qualified Additional (BOM) PdCu Bond Wire

| | | | | | |
|-------------|--|--|--|--|--|
| AP22800HB-7 | | | | | |
|-------------|--|--|--|--|--|

Table 2 - Qualified Additional AT Site (JCET SQ)

| | | | | | |
|-----------------|--|--|--|--|--|
| PI3USB9281CXWEX | | | | | |
|-----------------|--|--|--|--|--|

Table 3 - Qualified Additional AT Site (TSHT) and New Die Revision

| | | | | | |
|------------|--|--|--|--|--|
| GP4624S-13 | | | | | |
|------------|--|--|--|--|--|

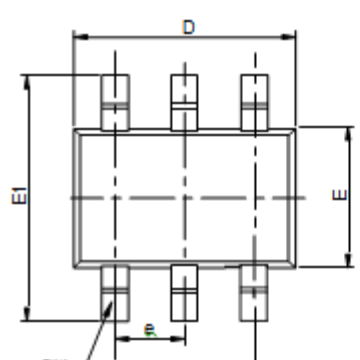
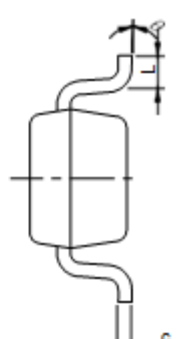
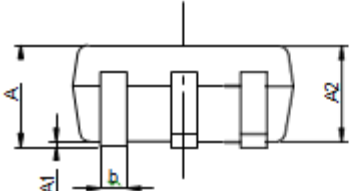
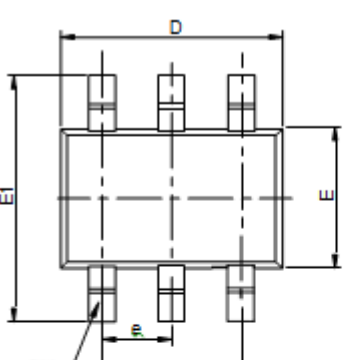
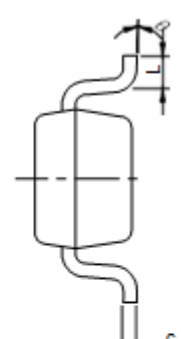
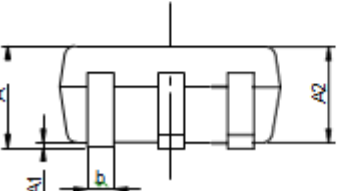
Table 4 - Qualified Additional (BOM) Lead Frame with POD Change

| | | | | | |
|--------------|---------------|-------------|-------------|--------------|-------------|
| PI5A121BCEX | PI5A3157BC6EX | PI5A3157CEX | PI5A3166CEX | PI5A3167CCEX | PI5A4157CEX |
| PI5A4599BCEX | | | | | |

Table 5 – POD Change for SOT353-5L

| Current POD | New POD | | | | | | | | | | | | | | | | | | | | | | | | | | | | | | | | | | | | | | | | | | | | | | | | | | | | | | | | | | | | | | | | | | | | | | | | | | | | | | | | | | | | |
|--|---|------|--|--------|-----|-----|---|---|------|----|------|------|----|------|------|---|------|------|---|------|------|---|------|------|---|------|------|----|------|------|---|----------|--|----|----------|--|---|------|------|----------|---|---|--|----------------------|--|--|--------|-----|-----|---|---|------|----|------|------|----|------|------|---|------|------|---|------|------|---|------|------|---|------|------|----|------|------|---|----------|--|----|----------|--|---|------|------|----------|---|---|
| <p>TOP VIEW</p> <p>BOTTOM VIEW</p> <p>SIDE VIEW</p> | <p>TOP VIEW</p> <p>BOTTOM VIEW</p> <p>SIDE VIEW</p> | | | | | | | | | | | | | | | | | | | | | | | | | | | | | | | | | | | | | | | | | | | | | | | | | | | | | | | | | | | | | | | | | | | | | | | | | | | | | | | | | | | | |
| <table border="1"> <thead> <tr> <th colspan="3">PKG. DIMENSIONS (MM)</th> </tr> <tr> <th>SYMBOL</th> <th>Min</th> <th>Max</th> </tr> </thead> <tbody> <tr> <td>A</td> <td>-</td> <td>1.10</td> </tr> <tr> <td>A1</td> <td>0.00</td> <td>0.10</td> </tr> <tr> <td>A2</td> <td>0.70</td> <td>1.00</td> </tr> <tr> <td>b</td> <td>0.15</td> <td>0.30</td> </tr> <tr> <td>c</td> <td>0.08</td> <td>0.22</td> </tr> <tr> <td>D</td> <td>1.80</td> <td>2.20</td> </tr> <tr> <td>E</td> <td>1.10</td> <td>1.40</td> </tr> <tr> <td>E1</td> <td>1.80</td> <td>2.40</td> </tr> <tr> <td>e</td> <td colspan="2">0.65 BSC</td> </tr> <tr> <td>e1</td> <td colspan="2">1.30 BSC</td> </tr> <tr> <td>L</td> <td>0.26</td> <td>0.46</td> </tr> <tr> <td>θ</td> <td>0</td> <td>8</td> </tr> </tbody> </table> | PKG. DIMENSIONS (MM) | | | SYMBOL | Min | Max | A | - | 1.10 | A1 | 0.00 | 0.10 | A2 | 0.70 | 1.00 | b | 0.15 | 0.30 | c | 0.08 | 0.22 | D | 1.80 | 2.20 | E | 1.10 | 1.40 | E1 | 1.80 | 2.40 | e | 0.65 BSC | | e1 | 1.30 BSC | | L | 0.26 | 0.46 | θ | 0 | 8 | <table border="1"> <thead> <tr> <th colspan="3">PKG. DIMENSIONS (MM)</th> </tr> <tr> <th>SYMBOL</th> <th>Min</th> <th>Max</th> </tr> </thead> <tbody> <tr> <td>A</td> <td>-</td> <td>1.10</td> </tr> <tr> <td>A1</td> <td>0.00</td> <td>0.10</td> </tr> <tr> <td>A2</td> <td>0.70</td> <td>1.00</td> </tr> <tr> <td>b</td> <td>0.15</td> <td>0.30</td> </tr> <tr> <td>c</td> <td>0.08</td> <td>0.22</td> </tr> <tr> <td>D</td> <td>1.80</td> <td>2.20</td> </tr> <tr> <td>E</td> <td>1.10</td> <td>1.40</td> </tr> <tr> <td>E1</td> <td>2.15</td> <td>2.45</td> </tr> <tr> <td>e</td> <td colspan="2">0.65 BSC</td> </tr> <tr> <td>e1</td> <td colspan="2">1.30 BSC</td> </tr> <tr> <td>L</td> <td>0.26</td> <td>0.46</td> </tr> <tr> <td>θ</td> <td>0</td> <td>8</td> </tr> </tbody> </table> | PKG. DIMENSIONS (MM) | | | SYMBOL | Min | Max | A | - | 1.10 | A1 | 0.00 | 0.10 | A2 | 0.70 | 1.00 | b | 0.15 | 0.30 | c | 0.08 | 0.22 | D | 1.80 | 2.20 | E | 1.10 | 1.40 | E1 | 2.15 | 2.45 | e | 0.65 BSC | | e1 | 1.30 BSC | | L | 0.26 | 0.46 | θ | 0 | 8 |
| PKG. DIMENSIONS (MM) | | | | | | | | | | | | | | | | | | | | | | | | | | | | | | | | | | | | | | | | | | | | | | | | | | | | | | | | | | | | | | | | | | | | | | | | | | | | | | | | | | | | | |
| SYMBOL | Min | Max | | | | | | | | | | | | | | | | | | | | | | | | | | | | | | | | | | | | | | | | | | | | | | | | | | | | | | | | | | | | | | | | | | | | | | | | | | | | | | | | | | | |
| A | - | 1.10 | | | | | | | | | | | | | | | | | | | | | | | | | | | | | | | | | | | | | | | | | | | | | | | | | | | | | | | | | | | | | | | | | | | | | | | | | | | | | | | | | | | |
| A1 | 0.00 | 0.10 | | | | | | | | | | | | | | | | | | | | | | | | | | | | | | | | | | | | | | | | | | | | | | | | | | | | | | | | | | | | | | | | | | | | | | | | | | | | | | | | | | | |
| A2 | 0.70 | 1.00 | | | | | | | | | | | | | | | | | | | | | | | | | | | | | | | | | | | | | | | | | | | | | | | | | | | | | | | | | | | | | | | | | | | | | | | | | | | | | | | | | | | |
| b | 0.15 | 0.30 | | | | | | | | | | | | | | | | | | | | | | | | | | | | | | | | | | | | | | | | | | | | | | | | | | | | | | | | | | | | | | | | | | | | | | | | | | | | | | | | | | | |
| c | 0.08 | 0.22 | | | | | | | | | | | | | | | | | | | | | | | | | | | | | | | | | | | | | | | | | | | | | | | | | | | | | | | | | | | | | | | | | | | | | | | | | | | | | | | | | | | |
| D | 1.80 | 2.20 | | | | | | | | | | | | | | | | | | | | | | | | | | | | | | | | | | | | | | | | | | | | | | | | | | | | | | | | | | | | | | | | | | | | | | | | | | | | | | | | | | | |
| E | 1.10 | 1.40 | | | | | | | | | | | | | | | | | | | | | | | | | | | | | | | | | | | | | | | | | | | | | | | | | | | | | | | | | | | | | | | | | | | | | | | | | | | | | | | | | | | |
| E1 | 1.80 | 2.40 | | | | | | | | | | | | | | | | | | | | | | | | | | | | | | | | | | | | | | | | | | | | | | | | | | | | | | | | | | | | | | | | | | | | | | | | | | | | | | | | | | | |
| e | 0.65 BSC | | | | | | | | | | | | | | | | | | | | | | | | | | | | | | | | | | | | | | | | | | | | | | | | | | | | | | | | | | | | | | | | | | | | | | | | | | | | | | | | | | | | |
| e1 | 1.30 BSC | | | | | | | | | | | | | | | | | | | | | | | | | | | | | | | | | | | | | | | | | | | | | | | | | | | | | | | | | | | | | | | | | | | | | | | | | | | | | | | | | | | | |
| L | 0.26 | 0.46 | | | | | | | | | | | | | | | | | | | | | | | | | | | | | | | | | | | | | | | | | | | | | | | | | | | | | | | | | | | | | | | | | | | | | | | | | | | | | | | | | | | |
| θ | 0 | 8 | | | | | | | | | | | | | | | | | | | | | | | | | | | | | | | | | | | | | | | | | | | | | | | | | | | | | | | | | | | | | | | | | | | | | | | | | | | | | | | | | | | |
| PKG. DIMENSIONS (MM) | | | | | | | | | | | | | | | | | | | | | | | | | | | | | | | | | | | | | | | | | | | | | | | | | | | | | | | | | | | | | | | | | | | | | | | | | | | | | | | | | | | | | |
| SYMBOL | Min | Max | | | | | | | | | | | | | | | | | | | | | | | | | | | | | | | | | | | | | | | | | | | | | | | | | | | | | | | | | | | | | | | | | | | | | | | | | | | | | | | | | | | |
| A | - | 1.10 | | | | | | | | | | | | | | | | | | | | | | | | | | | | | | | | | | | | | | | | | | | | | | | | | | | | | | | | | | | | | | | | | | | | | | | | | | | | | | | | | | | |
| A1 | 0.00 | 0.10 | | | | | | | | | | | | | | | | | | | | | | | | | | | | | | | | | | | | | | | | | | | | | | | | | | | | | | | | | | | | | | | | | | | | | | | | | | | | | | | | | | | |
| A2 | 0.70 | 1.00 | | | | | | | | | | | | | | | | | | | | | | | | | | | | | | | | | | | | | | | | | | | | | | | | | | | | | | | | | | | | | | | | | | | | | | | | | | | | | | | | | | | |
| b | 0.15 | 0.30 | | | | | | | | | | | | | | | | | | | | | | | | | | | | | | | | | | | | | | | | | | | | | | | | | | | | | | | | | | | | | | | | | | | | | | | | | | | | | | | | | | | |
| c | 0.08 | 0.22 | | | | | | | | | | | | | | | | | | | | | | | | | | | | | | | | | | | | | | | | | | | | | | | | | | | | | | | | | | | | | | | | | | | | | | | | | | | | | | | | | | | |
| D | 1.80 | 2.20 | | | | | | | | | | | | | | | | | | | | | | | | | | | | | | | | | | | | | | | | | | | | | | | | | | | | | | | | | | | | | | | | | | | | | | | | | | | | | | | | | | | |
| E | 1.10 | 1.40 | | | | | | | | | | | | | | | | | | | | | | | | | | | | | | | | | | | | | | | | | | | | | | | | | | | | | | | | | | | | | | | | | | | | | | | | | | | | | | | | | | | |
| E1 | 2.15 | 2.45 | | | | | | | | | | | | | | | | | | | | | | | | | | | | | | | | | | | | | | | | | | | | | | | | | | | | | | | | | | | | | | | | | | | | | | | | | | | | | | | | | | | |
| e | 0.65 BSC | | | | | | | | | | | | | | | | | | | | | | | | | | | | | | | | | | | | | | | | | | | | | | | | | | | | | | | | | | | | | | | | | | | | | | | | | | | | | | | | | | | | |
| e1 | 1.30 BSC | | | | | | | | | | | | | | | | | | | | | | | | | | | | | | | | | | | | | | | | | | | | | | | | | | | | | | | | | | | | | | | | | | | | | | | | | | | | | | | | | | | | |
| L | 0.26 | 0.46 | | | | | | | | | | | | | | | | | | | | | | | | | | | | | | | | | | | | | | | | | | | | | | | | | | | | | | | | | | | | | | | | | | | | | | | | | | | | | | | | | | | |
| θ | 0 | 8 | | | | | | | | | | | | | | | | | | | | | | | | | | | | | | | | | | | | | | | | | | | | | | | | | | | | | | | | | | | | | | | | | | | | | | | | | | | | | | | | | | | |

Table 6 – POD Change for SOT 363-6L

| Current POD | New POD | | | | | | | | | | | | | | | | | | | | | | | | | | | | | | | | | | | | | | | | | | | | | | | | | | | | | | | | | | | | | | | | | | | | | | | | | | | | | | | | | | | | |
|--|--|-----------------|--|--|-----|-----|---|---|------|----|------|------|----|------|------|---|------|------|---|------|------|---|------|------|---|------|------|----|------|------|---|----------|--|----|----------|--|---|------|------|----------|---|---|--|-------------|-----------------|--|--|-----|-----|---|---|------|----|------|------|----|------|------|---|------|------|---|------|------|---|------|------|---|------|------|----|------|------|---|----------|--|----|----------|--|---|------|------|----------|---|---|
|  <p>TOP VIEW</p>  <p>BOTTOM VIEW</p>  <p>SIDE VIEW</p> |  <p>TOP VIEW</p>  <p>BOTTOM VIEW</p>  <p>SIDE VIEW</p> | | | | | | | | | | | | | | | | | | | | | | | | | | | | | | | | | | | | | | | | | | | | | | | | | | | | | | | | | | | | | | | | | | | | | | | | | | | | | | | | | | | | |
| <table border="1" style="margin: auto;"> <thead> <tr> <th>PKG. SYMBOL</th> <th colspan="2">DIMENSIONS (MM)</th> </tr> <tr> <th></th> <th>Min</th> <th>Max</th> </tr> </thead> <tbody> <tr> <td>A</td> <td>-</td> <td>1.10</td> </tr> <tr> <td>A1</td> <td>0.00</td> <td>0.10</td> </tr> <tr> <td>A2</td> <td>0.70</td> <td>1.00</td> </tr> <tr> <td>b</td> <td>0.15</td> <td>0.40</td> </tr> <tr> <td>c</td> <td>0.08</td> <td>0.22</td> </tr> <tr> <td>D</td> <td>1.80</td> <td>2.20</td> </tr> <tr> <td>E</td> <td>1.10</td> <td>1.40</td> </tr> <tr> <td>E1</td> <td>1.80</td> <td>2.40</td> </tr> <tr> <td>e</td> <td colspan="2" style="text-align: center;">0.65 BSC</td> </tr> <tr> <td>e1</td> <td colspan="2" style="text-align: center;">1.30 BSC</td> </tr> <tr> <td>L</td> <td>0.26</td> <td>0.46</td> </tr> <tr> <td>θ</td> <td>0</td> <td>8</td> </tr> </tbody> </table> | PKG. SYMBOL | DIMENSIONS (MM) | | | Min | Max | A | - | 1.10 | A1 | 0.00 | 0.10 | A2 | 0.70 | 1.00 | b | 0.15 | 0.40 | c | 0.08 | 0.22 | D | 1.80 | 2.20 | E | 1.10 | 1.40 | E1 | 1.80 | 2.40 | e | 0.65 BSC | | e1 | 1.30 BSC | | L | 0.26 | 0.46 | θ | 0 | 8 | <table border="1" style="margin: auto;"> <thead> <tr> <th>PKG. SYMBOL</th> <th colspan="2">DIMENSIONS (MM)</th> </tr> <tr> <th></th> <th>Min</th> <th>Max</th> </tr> </thead> <tbody> <tr> <td>A</td> <td>-</td> <td>1.10</td> </tr> <tr> <td>A1</td> <td>0.00</td> <td>0.10</td> </tr> <tr> <td>A2</td> <td>0.70</td> <td>1.00</td> </tr> <tr> <td>b</td> <td>0.15</td> <td>0.40</td> </tr> <tr> <td>c</td> <td>0.08</td> <td>0.22</td> </tr> <tr> <td>D</td> <td>1.80</td> <td>2.20</td> </tr> <tr> <td>E</td> <td>1.10</td> <td>1.40</td> </tr> <tr> <td>E1</td> <td style="color: red;">2.15</td> <td style="color: red;">2.45</td> </tr> <tr> <td>e</td> <td colspan="2" style="text-align: center;">0.65 BSC</td> </tr> <tr> <td>e1</td> <td colspan="2" style="text-align: center;">1.30 BSC</td> </tr> <tr> <td>L</td> <td>0.26</td> <td>0.46</td> </tr> <tr> <td>θ</td> <td>0</td> <td>8</td> </tr> </tbody> </table> | PKG. SYMBOL | DIMENSIONS (MM) | | | Min | Max | A | - | 1.10 | A1 | 0.00 | 0.10 | A2 | 0.70 | 1.00 | b | 0.15 | 0.40 | c | 0.08 | 0.22 | D | 1.80 | 2.20 | E | 1.10 | 1.40 | E1 | 2.15 | 2.45 | e | 0.65 BSC | | e1 | 1.30 BSC | | L | 0.26 | 0.46 | θ | 0 | 8 |
| PKG. SYMBOL | DIMENSIONS (MM) | | | | | | | | | | | | | | | | | | | | | | | | | | | | | | | | | | | | | | | | | | | | | | | | | | | | | | | | | | | | | | | | | | | | | | | | | | | | | | | | | | | | |
| | Min | Max | | | | | | | | | | | | | | | | | | | | | | | | | | | | | | | | | | | | | | | | | | | | | | | | | | | | | | | | | | | | | | | | | | | | | | | | | | | | | | | | | | | |
| A | - | 1.10 | | | | | | | | | | | | | | | | | | | | | | | | | | | | | | | | | | | | | | | | | | | | | | | | | | | | | | | | | | | | | | | | | | | | | | | | | | | | | | | | | | | |
| A1 | 0.00 | 0.10 | | | | | | | | | | | | | | | | | | | | | | | | | | | | | | | | | | | | | | | | | | | | | | | | | | | | | | | | | | | | | | | | | | | | | | | | | | | | | | | | | | | |
| A2 | 0.70 | 1.00 | | | | | | | | | | | | | | | | | | | | | | | | | | | | | | | | | | | | | | | | | | | | | | | | | | | | | | | | | | | | | | | | | | | | | | | | | | | | | | | | | | | |
| b | 0.15 | 0.40 | | | | | | | | | | | | | | | | | | | | | | | | | | | | | | | | | | | | | | | | | | | | | | | | | | | | | | | | | | | | | | | | | | | | | | | | | | | | | | | | | | | |
| c | 0.08 | 0.22 | | | | | | | | | | | | | | | | | | | | | | | | | | | | | | | | | | | | | | | | | | | | | | | | | | | | | | | | | | | | | | | | | | | | | | | | | | | | | | | | | | | |
| D | 1.80 | 2.20 | | | | | | | | | | | | | | | | | | | | | | | | | | | | | | | | | | | | | | | | | | | | | | | | | | | | | | | | | | | | | | | | | | | | | | | | | | | | | | | | | | | |
| E | 1.10 | 1.40 | | | | | | | | | | | | | | | | | | | | | | | | | | | | | | | | | | | | | | | | | | | | | | | | | | | | | | | | | | | | | | | | | | | | | | | | | | | | | | | | | | | |
| E1 | 1.80 | 2.40 | | | | | | | | | | | | | | | | | | | | | | | | | | | | | | | | | | | | | | | | | | | | | | | | | | | | | | | | | | | | | | | | | | | | | | | | | | | | | | | | | | | |
| e | 0.65 BSC | | | | | | | | | | | | | | | | | | | | | | | | | | | | | | | | | | | | | | | | | | | | | | | | | | | | | | | | | | | | | | | | | | | | | | | | | | | | | | | | | | | | |
| e1 | 1.30 BSC | | | | | | | | | | | | | | | | | | | | | | | | | | | | | | | | | | | | | | | | | | | | | | | | | | | | | | | | | | | | | | | | | | | | | | | | | | | | | | | | | | | | |
| L | 0.26 | 0.46 | | | | | | | | | | | | | | | | | | | | | | | | | | | | | | | | | | | | | | | | | | | | | | | | | | | | | | | | | | | | | | | | | | | | | | | | | | | | | | | | | | | |
| θ | 0 | 8 | | | | | | | | | | | | | | | | | | | | | | | | | | | | | | | | | | | | | | | | | | | | | | | | | | | | | | | | | | | | | | | | | | | | | | | | | | | | | | | | | | | |
| PKG. SYMBOL | DIMENSIONS (MM) | | | | | | | | | | | | | | | | | | | | | | | | | | | | | | | | | | | | | | | | | | | | | | | | | | | | | | | | | | | | | | | | | | | | | | | | | | | | | | | | | | | | |
| | Min | Max | | | | | | | | | | | | | | | | | | | | | | | | | | | | | | | | | | | | | | | | | | | | | | | | | | | | | | | | | | | | | | | | | | | | | | | | | | | | | | | | | | | |
| A | - | 1.10 | | | | | | | | | | | | | | | | | | | | | | | | | | | | | | | | | | | | | | | | | | | | | | | | | | | | | | | | | | | | | | | | | | | | | | | | | | | | | | | | | | | |
| A1 | 0.00 | 0.10 | | | | | | | | | | | | | | | | | | | | | | | | | | | | | | | | | | | | | | | | | | | | | | | | | | | | | | | | | | | | | | | | | | | | | | | | | | | | | | | | | | | |
| A2 | 0.70 | 1.00 | | | | | | | | | | | | | | | | | | | | | | | | | | | | | | | | | | | | | | | | | | | | | | | | | | | | | | | | | | | | | | | | | | | | | | | | | | | | | | | | | | | |
| b | 0.15 | 0.40 | | | | | | | | | | | | | | | | | | | | | | | | | | | | | | | | | | | | | | | | | | | | | | | | | | | | | | | | | | | | | | | | | | | | | | | | | | | | | | | | | | | |
| c | 0.08 | 0.22 | | | | | | | | | | | | | | | | | | | | | | | | | | | | | | | | | | | | | | | | | | | | | | | | | | | | | | | | | | | | | | | | | | | | | | | | | | | | | | | | | | | |
| D | 1.80 | 2.20 | | | | | | | | | | | | | | | | | | | | | | | | | | | | | | | | | | | | | | | | | | | | | | | | | | | | | | | | | | | | | | | | | | | | | | | | | | | | | | | | | | | |
| E | 1.10 | 1.40 | | | | | | | | | | | | | | | | | | | | | | | | | | | | | | | | | | | | | | | | | | | | | | | | | | | | | | | | | | | | | | | | | | | | | | | | | | | | | | | | | | | |
| E1 | 2.15 | 2.45 | | | | | | | | | | | | | | | | | | | | | | | | | | | | | | | | | | | | | | | | | | | | | | | | | | | | | | | | | | | | | | | | | | | | | | | | | | | | | | | | | | | |
| e | 0.65 BSC | | | | | | | | | | | | | | | | | | | | | | | | | | | | | | | | | | | | | | | | | | | | | | | | | | | | | | | | | | | | | | | | | | | | | | | | | | | | | | | | | | | | |
| e1 | 1.30 BSC | | | | | | | | | | | | | | | | | | | | | | | | | | | | | | | | | | | | | | | | | | | | | | | | | | | | | | | | | | | | | | | | | | | | | | | | | | | | | | | | | | | | |
| L | 0.26 | 0.46 | | | | | | | | | | | | | | | | | | | | | | | | | | | | | | | | | | | | | | | | | | | | | | | | | | | | | | | | | | | | | | | | | | | | | | | | | | | | | | | | | | | |
| θ | 0 | 8 | | | | | | | | | | | | | | | | | | | | | | | | | | | | | | | | | | | | | | | | | | | | | | | | | | | | | | | | | | | | | | | | | | | | | | | | | | | | | | | | | | | |