

QT-Brightek UV LED Series

UVC LED

Part No.: QBHP4545E-UV280U

**UV280 : Wavelength
U: 350mA**

Product: QBHP4545E-UV280U	Date: April 06, 2022	Page 1 of 9
	Version# 1.3	

Table of Contents:

Introduction	3
Electrical / Optical Characteristic (Ta=25 °C)	4
Absolute Maximum Rating	4
Characteristic Curves.....	5
IR Reflow Soldering Profile	6
Packing	7
Labeling	8
Caution	8
Ordering Information	8
Revision History	9
Disclaimer	9

Introduction

Feature:

- UVC LED
- Clear Lens
- Packed in tape and reel
- ESD rating: 8KV (HBM)
- Viewing Angle: 60°

Description:

This UV LED has compact size of 4.5 x 4.5mm. It is ideal for various UV applications.

Application:

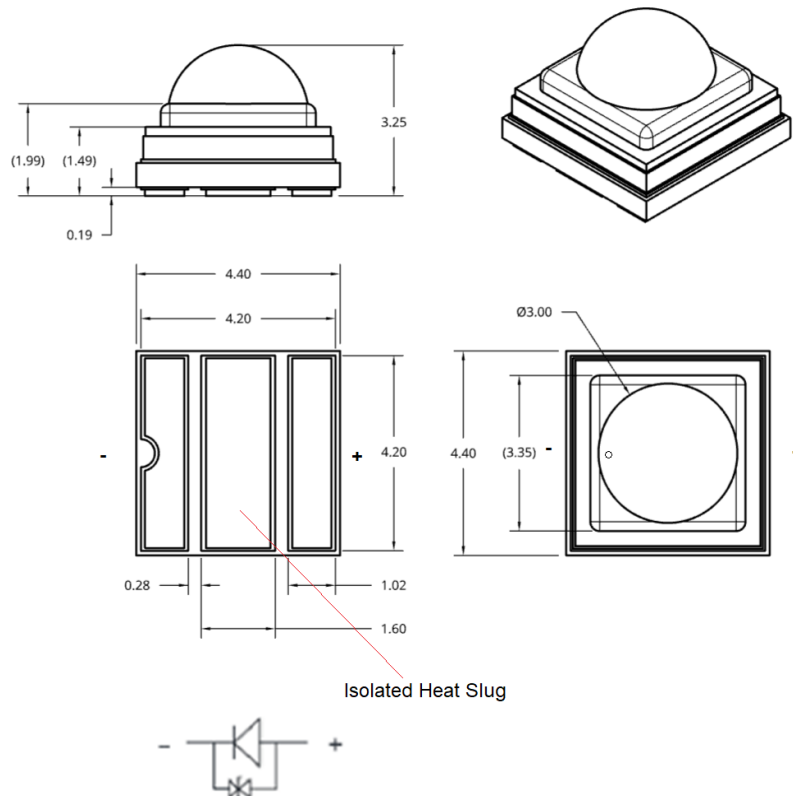
- UV marking
- Purification
- Inspection
- Sterilization and Disinfection

Certification & Compliance:

- ISO9001
- RoHS Compliant



Outline Dimensions:



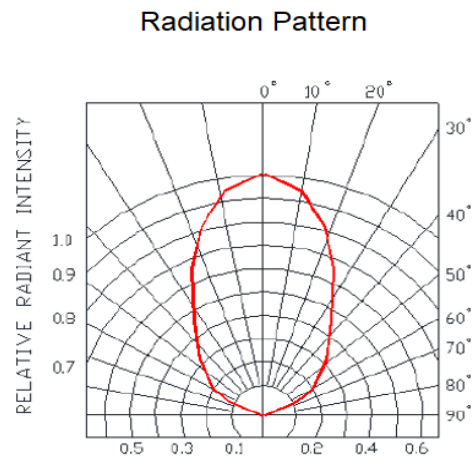
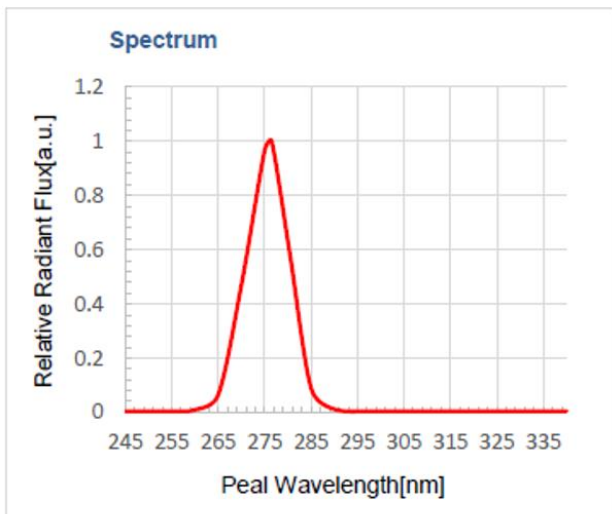
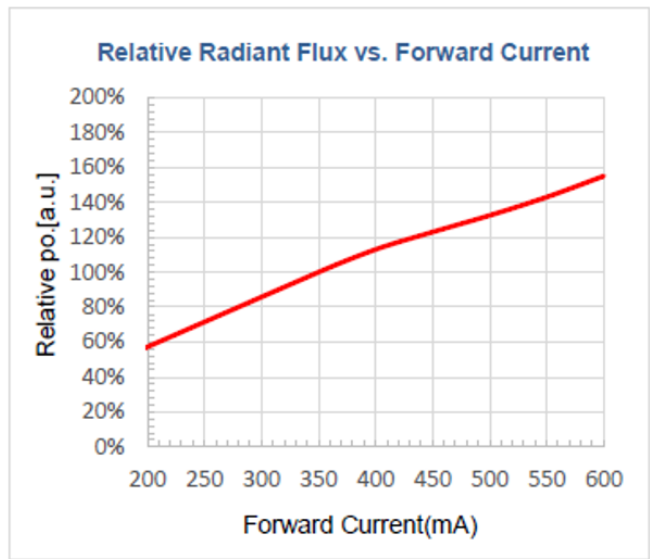
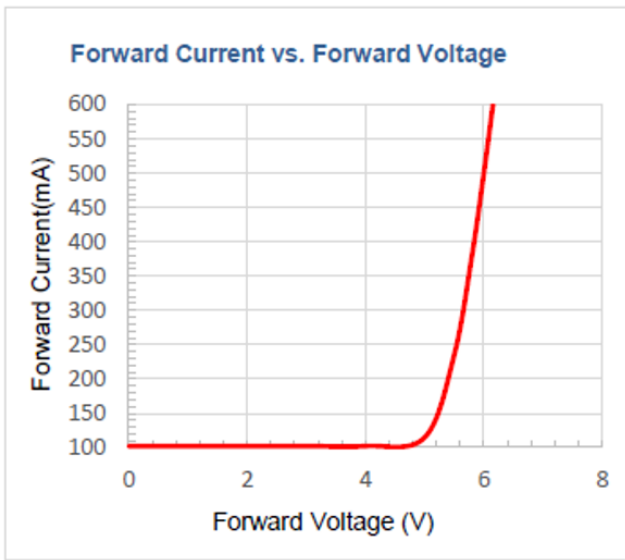
Electrical / Optical Characteristic (Ta=25 °C)

Part Number	Color	I _F (mA)	V _F (V)			λ _p (nm)			P _o (mW)		
			Min.	Typ.	Max.	Min.	Typ.	Max.	Min.	Typ.	Max.
QBHP4545E-UV280U	UVC	350	5.0	6.0	6.5	270	278	285	28	40	-

Absolute Maximum Rating

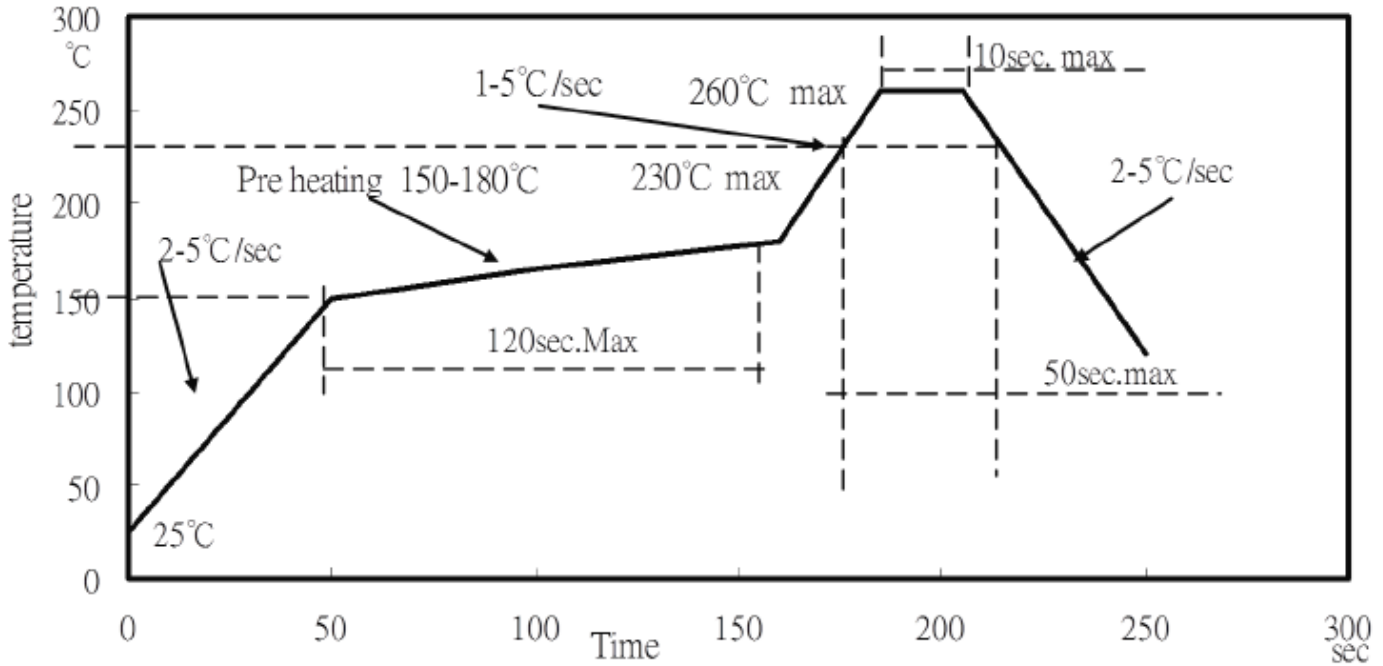
Part Number	P _d (mW)	I _F (mA)	T _{OP} (°C)	T _{ST} (°C)	T _{soL} (°C)
QBHP4545E-UV280U	4000	600	-10 to +60	-40 to +100	260

Characteristic Curves

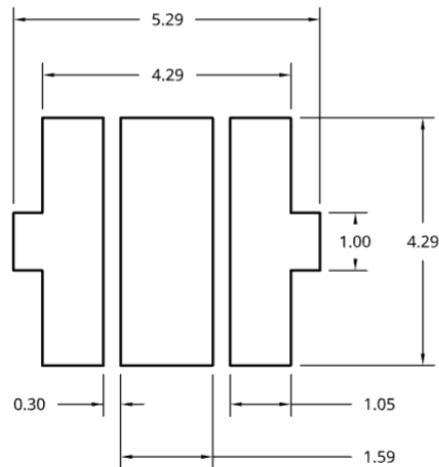


IR Reflow Soldering Profile

Lead Free solder



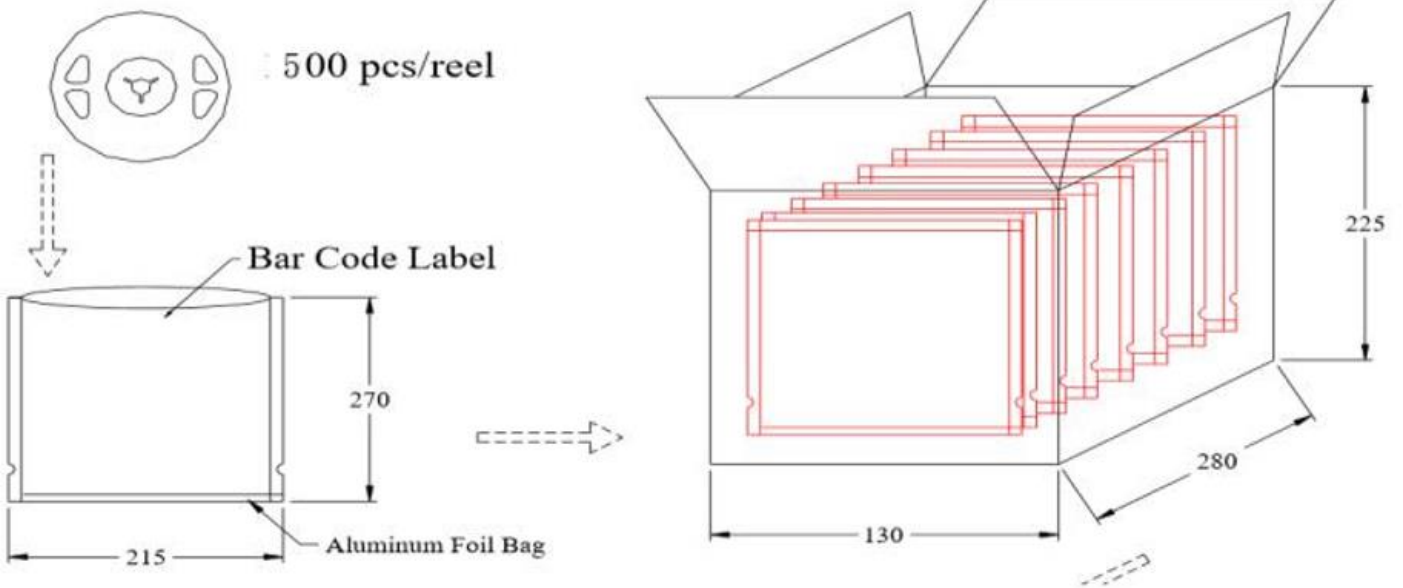
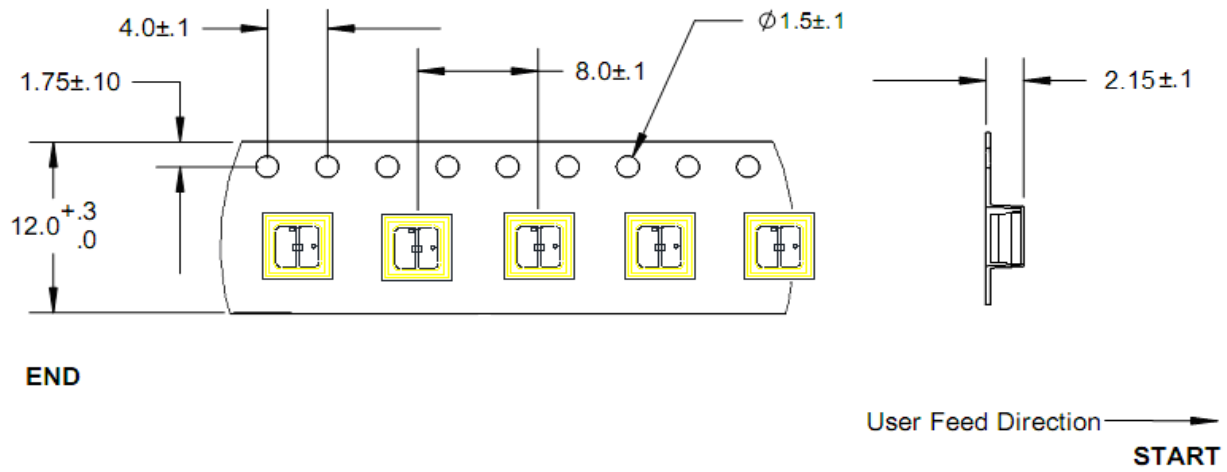
Recommended Soldering Pad:



Unit: mm

Packing

Tape and Reel:



Labeling

Part No: _____

Customer P/N: _____

Item: _____

Q'ty: _____

Vf: _____

Iv: _____

WI: _____

Date: _____

Made in China**Caution**

	CAUTION
	<ul style="list-style-type: none"> • This UV LED during operation radiates intense UV light. • Do not look directly into the UV light during operation of the device. This can be harmful to the eyes even for brief period due to the intense UV light. • If viewing the UV light is necessary, please use UV filtered glasses to avoid damage by the UV light. • If the UV LED in your product might be viewed directly, please affix a caution label to your product to that effect. <p style="text-align: center;">Avoid direct eye exposure to UV light Keep out of reach of children</p>

Ordering Information

Part #	Orderable Part #	Spec Range	Quantity per reel
QBHP4545E-UV280U	QBHP4545E-UV280U	Po=40mW @ I _F =350mA, λ _p =270-285nm	500 units

Revision History

Description:	Revision #	Revision Date
New Release of QBHP4545E-UV280U	V1.0	09/14/2020
Update qty per reel to 500pcs	V1.1	04/08/2021
Add polarity indication to the dimension drawing	V1.2	03/02/2022
Optimize and refine drawing dimensions	V1.3	04/06/2022

Disclaimer

QT-BRIGHTEK reserves the right to make changes without further notice to any products herein to improve reliability, function or design. QT-BRIGHTEK does not assume any liability arising out of the application or use of any product or circuit described herein; neither does it convey any license under its patent rights, nor the rights of others.

Life Support Policy

QT-BRIGHTEK's products are not authorized for use as critical components in life support devices or systems without the express written approval of QT-BRIGHTEK. As used herein:

1. Life support devices or systems are devices or systems which, (a) are intended for surgical implant into the body, or (b) support or sustain life, and (c) whose failure to perform when properly used in accordance with instructions for use provided in the labeling, can be reasonably expected to result in a significant injury of the user.
2. A critical component in any component of a life support device or system whose failure to perform can be reasonably expected to cause the failure of the life support device or system, or to affect its safety or effectiveness.