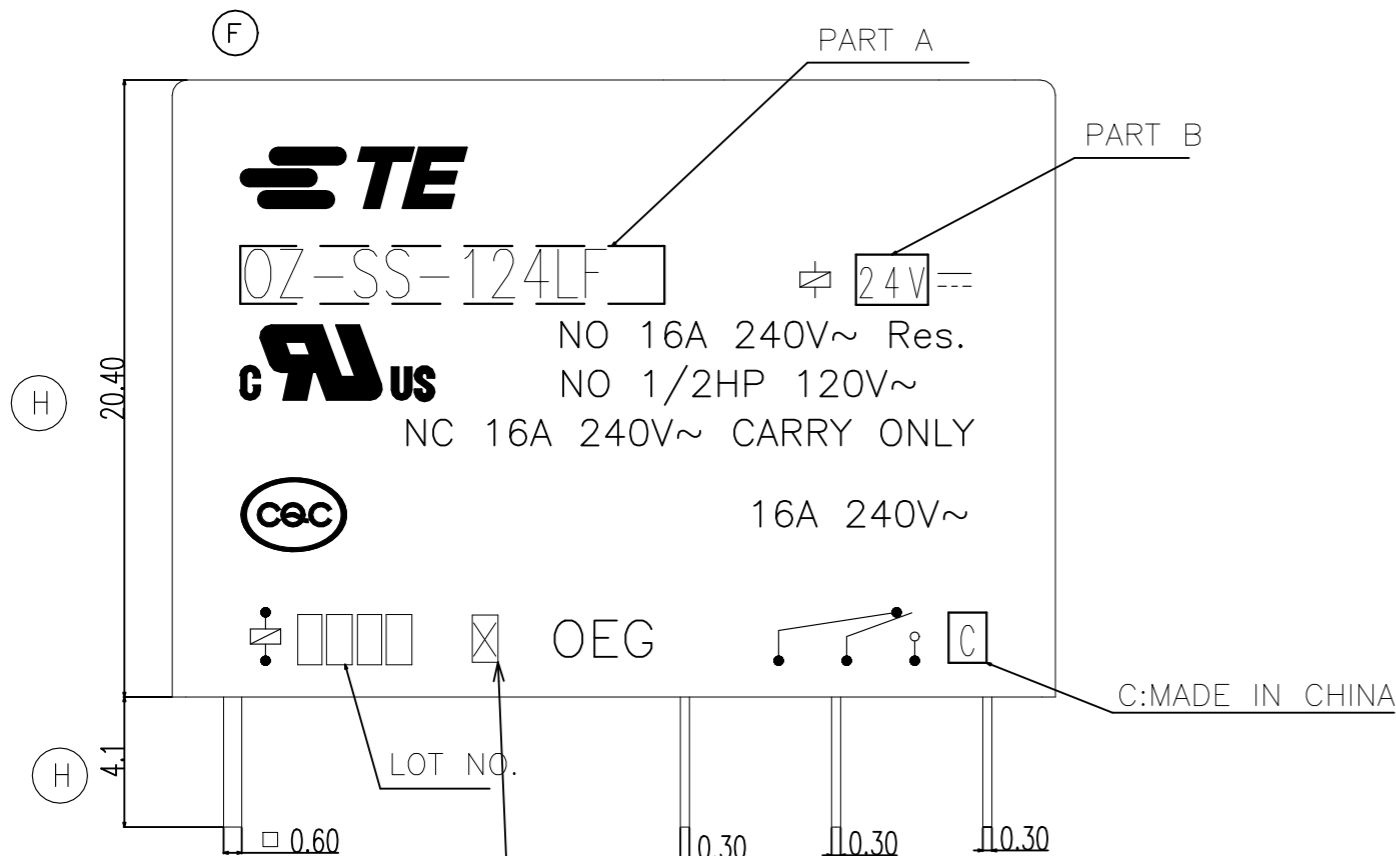
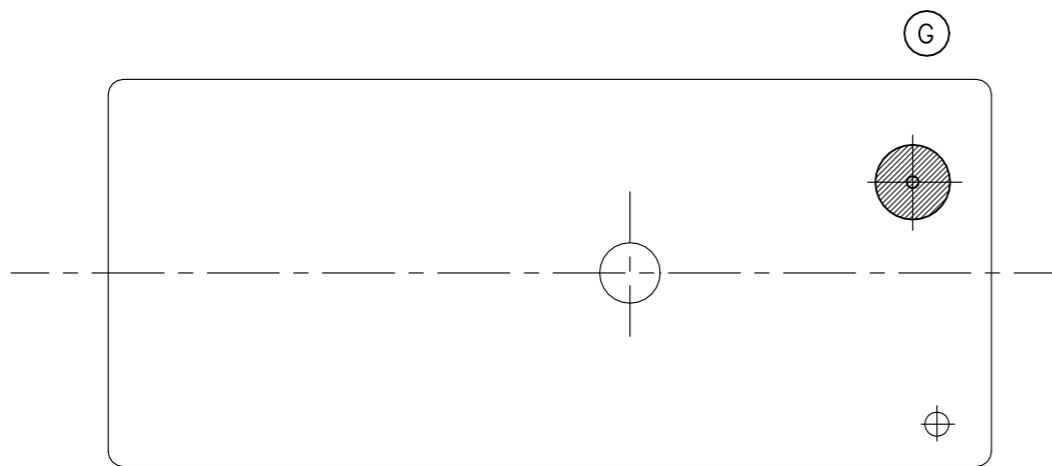
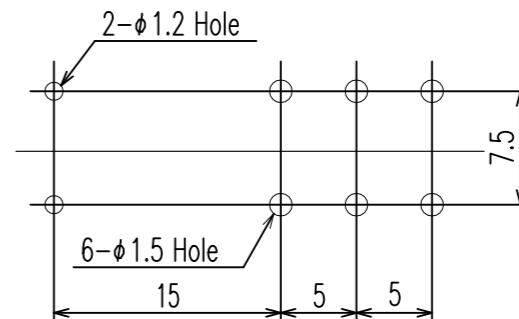


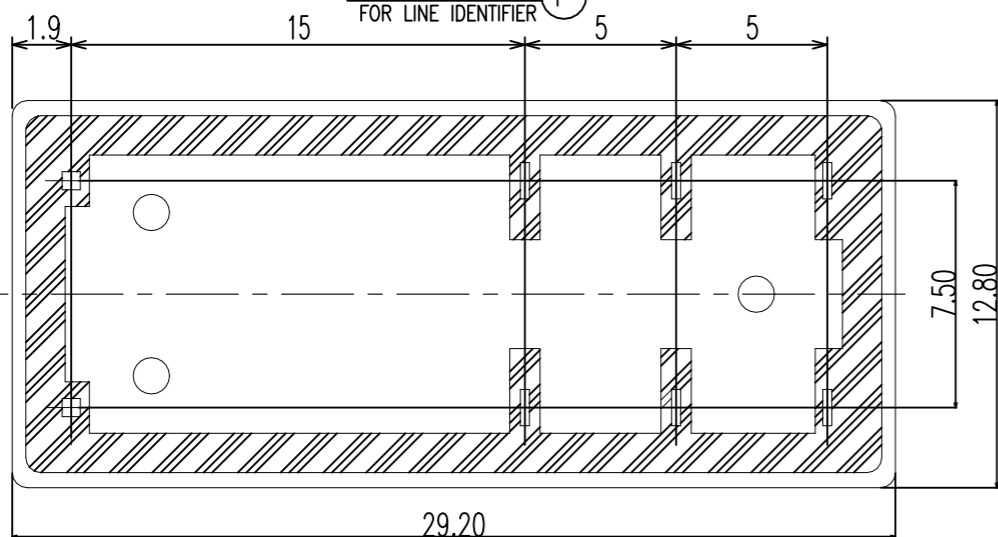
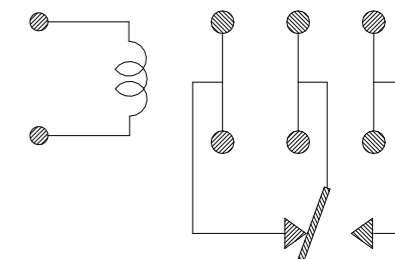
REVISIONS					
P	LTR	DESCRIPTION	DATE	DWN	APVD
	H	DIMENSION CHANGE	ECO-21-004260	10-JUN-21	XR.L K.T



DRILLING DIAGRAM(2/1)  
(BOTTOM VIEW)



CIRCUIT DIAGRAM  
(BOTTOM VIEW)

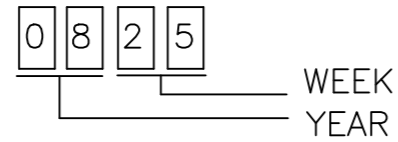


THIS DRAWING IS A CONTROLLED DOCUMENT.		DWN H.SASAKI	TE Connectivity Ltd.		
DIMENSIONS: mm		CHK N.FUNAYAMA			
TOLERANCES UNLESS OTHERWISE SPECIFIED:		APVD A.NAGAI	NAME		
0 PLC ± -		PRODUCT SPEC	OZ CUSTOMER DRAWING		
1 PLC ± -		APPLICATION SPEC	SIZE	CAGE CODE	DRAWING NO
2 PLC ± -		WEIGHT	A3	00779	C-1461869
3 PLC ± -		CUSTOMER DRAWING	SCALE	SHEET	REV
4 PLC ± -			4:1	1 OF 2	H
ANGLES ± -					
FINISH					

REVISIONS				
P	LTR	DESCRIPTION	DATE	APVD
-	-	SEE SHEET 1	-	-

NOTES:

1.LOT NO. SYSTEM AS FOLLOWING:



2.GENERAL TOLERANCE AS FOLLOWING:

TOLERANCE	
0~0.99mm	±0.1
1mm~2.99mm	±0.2
3mm MIN.	±0.3

3.TERMINAL DIMENSION IS NOT INCLUDING SOLDER TIP.

- ④ 4.FOR THE TIN-PLATING OF THE PINS:  
 +0.1mm FOR WIDTH,THICKNESS AND DIAMETER.  
 +0.5mm FOR LENGTH.

1461869-5	OZ-SS-109LF	9V	OZ-SS-109LF	e
1461869-4	OZ-SH-112LF	12V	OZ-SH-112LF	d
1461869-3	OZ-SS-112LF	12V	OZ-SS-112LF	c
1461869-2	OZ-SH-124LF	24V	OZ-SH-124LF	b
1461869-1	OZ-SS-124LF	24V	OZ-SS-124LF	a
TE PART NO	EC TYPE NAME	PART B	PART A	ITEM

RELAY TYPE				
INCOMBUSTIBILITY	TREATMENT	MATERIAL	DESCRIPTION	ITEM
		EPOXY RESIN	SEAL	16
		Cu ALLOY	HINGE SPRING	15
		PBT	CASE	14
		MW79	MAGNETIC WIRE	13
UL94V-0		PET	BASE	12
UL94HB		PA66 NYLON	BOBBIN	11
	SOLDER DIP	Cu ALLOY	COIL TERMINAL	10
UL94V-0		PPS	CARD	9
		Ag ALLOY	MOVABLE CONTACT	8
		Ag ALLOY	STATIONARY CONTACT	7
	SOLDER DIP	Cu ALLOY	NC-TERMINAL	6
	SOLDER DIP	Cu ALLOY	MOVABLE SPRING	5
	SOLDER DIP	Cu ALLOY	NO-TERMINAL	4
	Ni PLATED	STEEL	CORE	3
	Ni PLATED	STEEL	ARMATURE	2
	Ni PLATED	STEEL	YOKE	1

THIS DRAWING IS A CONTROLLED DOCUMENT.		DWN H.SASAKI	TE Connectivity Ltd.		
DIMENSIONS: mm		CHK N.FUNAYAMA			
		APVD A.NAGAI	NAME		
TOLERANCES UNLESS OTHERWISE SPECIFIED:		PRODUCT SPEC	OZ CUSTOMER DRAWING		
0 PLC ± -		APPLICATION SPEC	SIZE	CAGE CODE	DRAWING NO
1 PLC ± -		WEIGHT	A3	00779	C-1461869
2 PLC ± -		RESTRICTED TO			
3 PLC ± -		CUSTOMER DRAWING			
4 PLC ± -		SCALE 4:1 SHEET 2 OF 2 REV H			
ANGLES ± -					
FINISH					
MATERIAL					