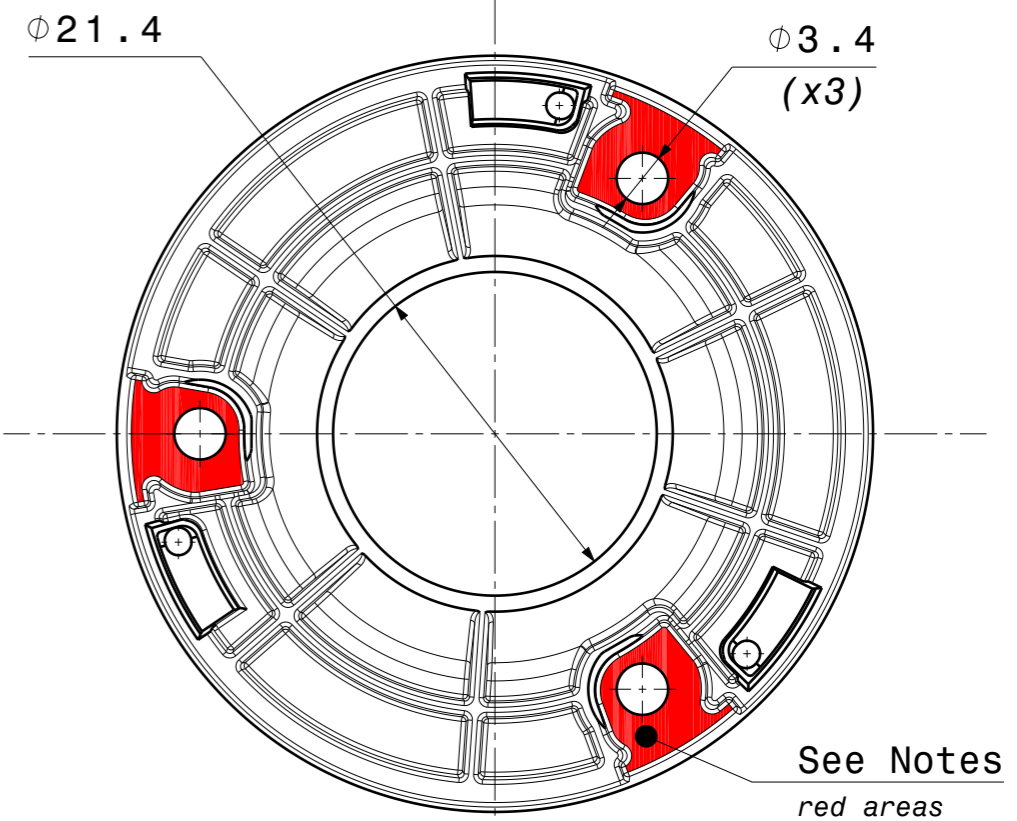
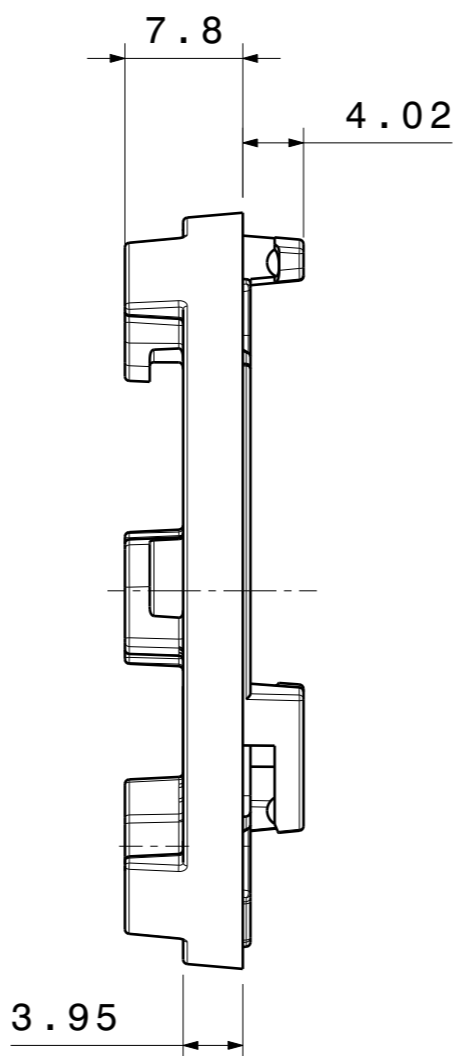
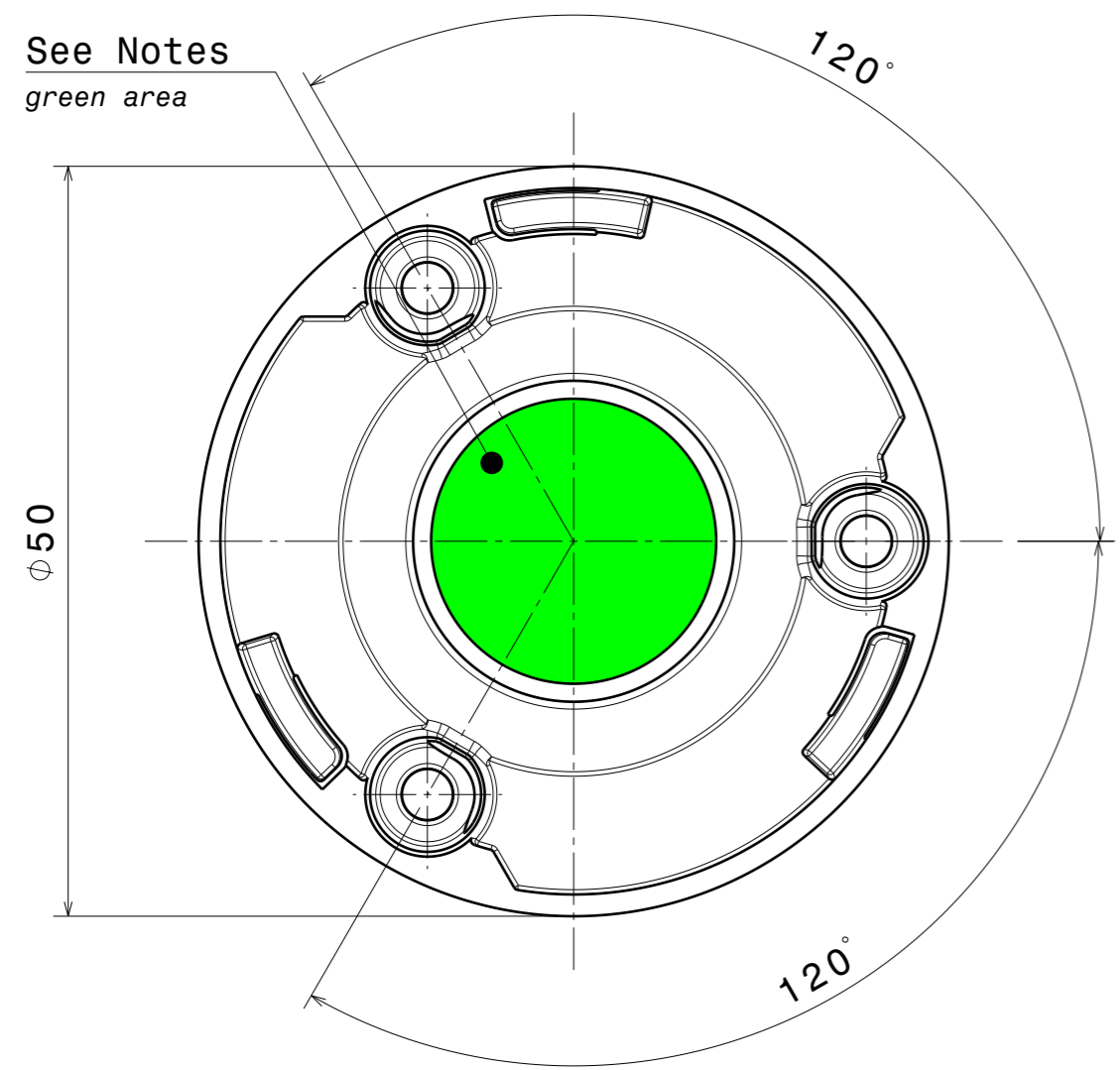
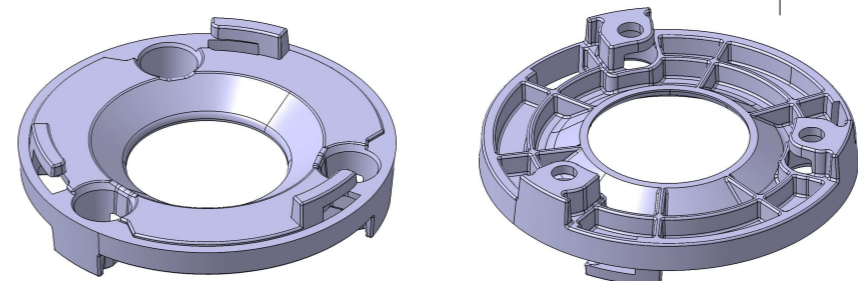


See Notes
green area



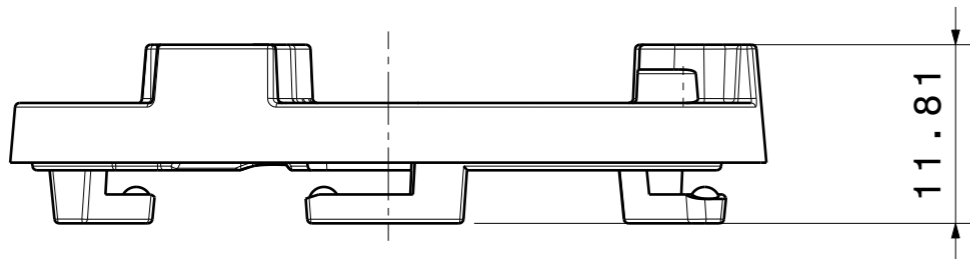
See Notes
red areas



Isometric views (1:1)

GENERAL MOULDING TOLERANCES

Dimension [mm]	PMMA / PC
>0-6	± 0.2
>6-22	± 0.25
>22-40	± 0.30
>40-90	± 0.44
>90-160	± 0.60
>160-200	± 0.70
>200-315	± 1.1



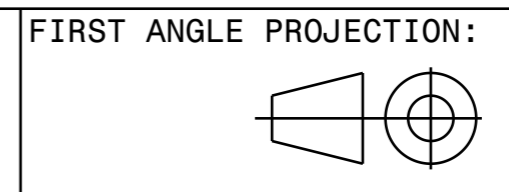
PART	TYPE	MATERIAL	COLOR / COATING
C16491_XTM-ADAPTER-50-A_Mechanicalmodel_20171108_jv		PC	grey

MECHANICAL DRAWING

PRODUCT **C16491_XTM-ADAPTER-50-A**



Tolerances if not otherwise shown
According to DIN ISO 2768-1
Linear measures: Up to 30mm
class M, otherwise class C.
According to DIN ISO 2768-2
Form and position: class L



This drawing is the property of LEDiL Oy. It may not be reproduced, copied or communicated without a written agreement with LEDiL Oy.

SCALE	1:1	WEIGHT	4,68 g	A3	SHEET 1/1
-------	-----	--------	--------	----	-----------

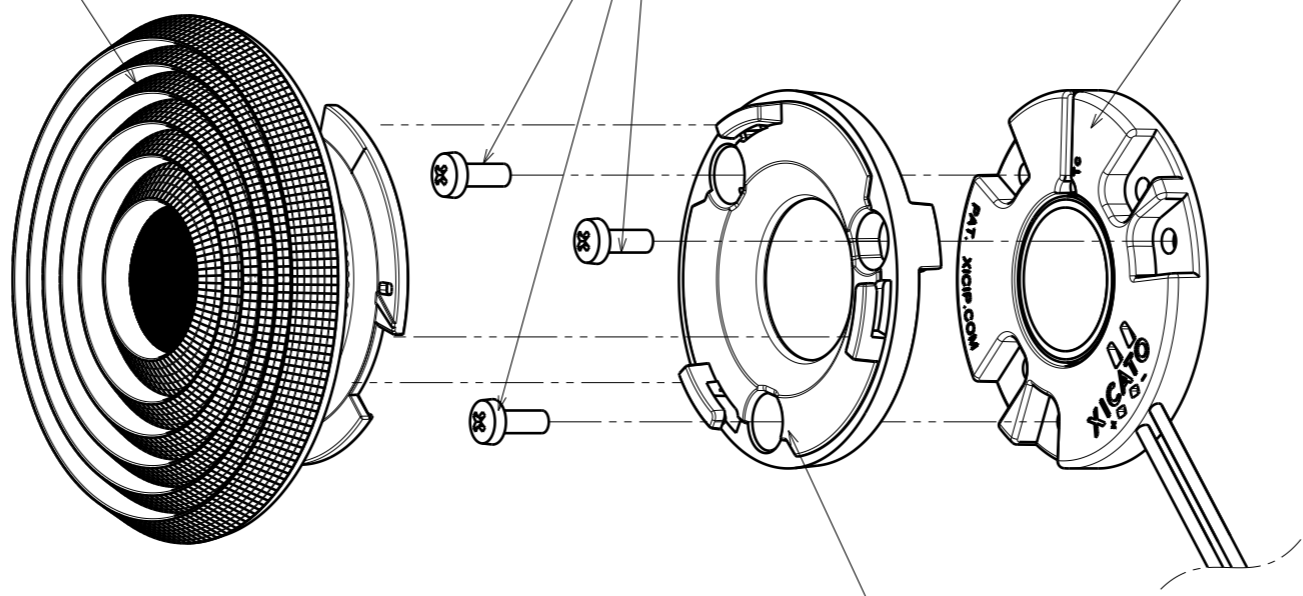
Notes

- PCB or heatsink level.
- LED location.
- Ensure LED fitting from a product specific 3D model available from www.ledil.com.
- See installation details in page 2.

LENS for reference only

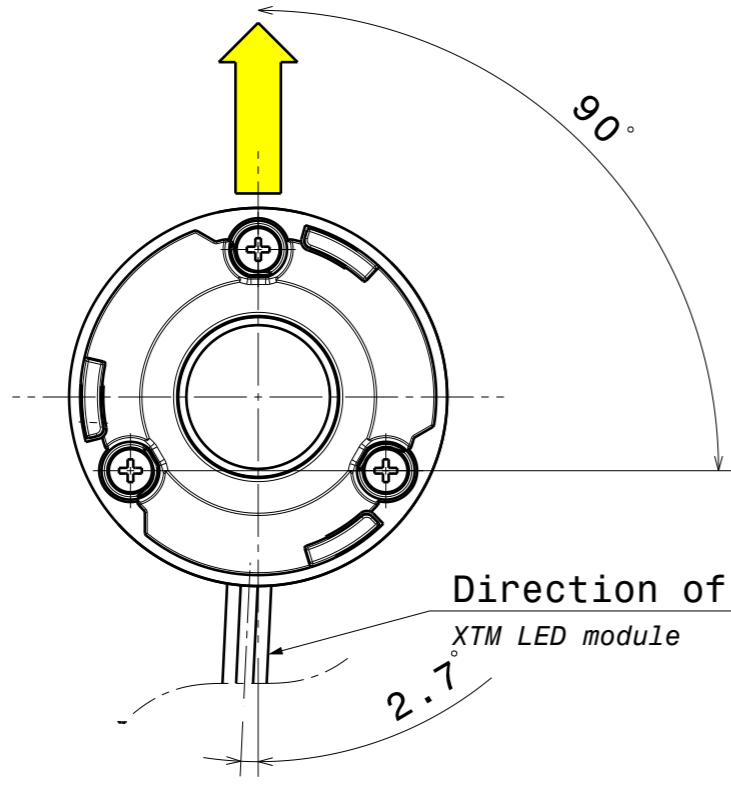
3x M3 Screws for fixing
Max. tightening torque: 0,6Nm

XTM LED MODULE for reference



C16491_XTM_ADAPTER-50-A

Beam direction with asymmetrical optics



Direction of LED module wiring
XTM LED module

2.7°

GENERAL MOULDING TOLERANCES

Dimension [mm]	PMMA / PC
>0-6	± 0.2
>6-22	± 0.25
>22-40	± 0.30
>40-90	± 0.44
>90-160	± 0.60
>160-200	± 0.70
>200-315	± 1.1

PART	TYPE	MATERIAL	COLOR / COATING
C16491_XTM-ADAPTER-50-A_Mechanicalmodel_20171108_jv		PC	grey

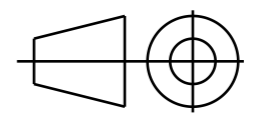
MECHANICAL DRAWING

PRODUCT **C16491_XTM-ADAPTER-50-A**



Tolerances if not otherwise shown
According to DIN ISO 2768-1
Linear measures: Up to 30mm
class M, otherwise class C.
According to DIN ISO 2768-2
Form and position: class L

FIRST ANGLE PROJECTION:



This drawing is the property of LEDiL Oy. It may not be reproduced, copied or communicated without a written agreement with LEDiL Oy.

SCALE 1:1 WEIGHT 4,68 g

A3 SHEET 1/1

Notes

- PCB or heatsink level.
- LED location.
- Ensure LED fitting from a product specific 3D model available from www.ledil.com.