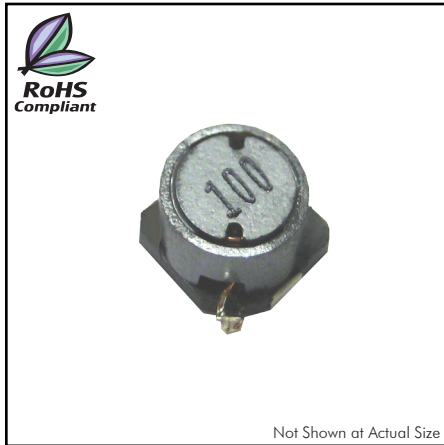


CT636CYF Series

From 1.0 μH to 1,000 μH



SPECIFICATIONS

Parts are available in a $\pm 20\%$ inductance tolerance only.

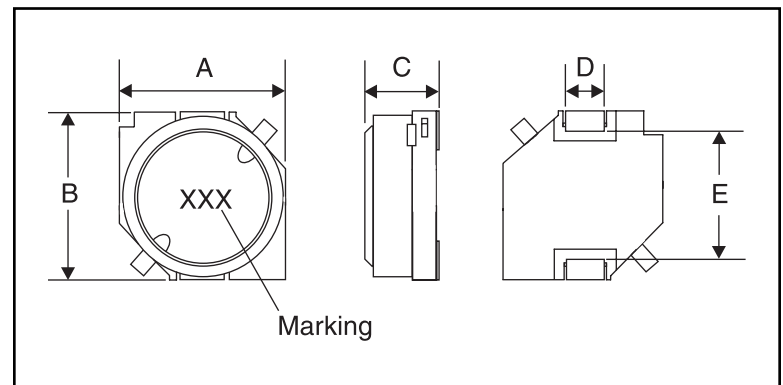
Part Number	Inductance (μH)	L Test Freq. (kHz)	DCR Max. (Ω)	Rated DC (A)
CT636CYF-1R0M	1.0	100	0.019	3.12
CT636CYF-1R5M	1.5	100	0.023	2.85
CT636CYF-1R8M	1.8	100	0.028	2.66
CT636CYF-2R2M	2.2	100	0.028	2.66
CT636CYF-2R7M	2.7	100	0.030	2.40
CT636CYF-3R3M	3.3	100	0.035	2.26
CT636CYF-4R7M	4.7	100	0.043	1.96
CT636CYF-5R6M	5.6	100	0.050	1.80
CT636CYF-6R8M	6.8	100	0.055	1.76
CT636CYF-8R2M	8.2	100	0.065	1.50
CT636CYF-100M	10	100	0.080	1.35
CT636CYF-120M	12	100	0.090	1.23
CT636CYF-150M	15	100	0.120	1.09
CT636CYF-180M	18	100	0.130	0.99
CT636CYF-220M	22	100	0.150	0.90
CT636CYF-270M	27	100	0.210	0.81
CT636CYF-330M	33	100	0.250	0.72
CT636CYF-390M	39	100	0.310	0.67
CT636CYF-470M	47	100	0.350	0.60
CT636CYF-560M	56	100	0.430	0.55
CT636CYF-680M	68	100	0.520	0.50
CT636CYF-820M	82	100	0.600	0.46
CT636CYF-101M	100	100	0.790	0.41
CT636CYF-121M	120	100	0.804	0.35
CT636CYF-151M	150	100	1.100	0.30
CT636CYF-181M	180	100	1.250	0.28
CT636CYF-221M	220	100	1.560	0.25
CT636CYF-271M	270	100	1.830	0.24
CT636CYF-331M	330	100	2.900	0.23
CT636CYF-391M	390	100	3.300	0.22
CT636CYF-471M	470	100	3.600	0.21
CT636CYF-561M	560	100	4.100	0.19
CT636CYF-681M	680	100	4.600	0.18
CT636CYF-821M	820	100	5.900	0.12
CT636CYF-102M	1000	100	7.020	0.10

CHARACTERISTICS

- Description:** SMD (shielded) power inductor
- Applications:** Ideal for a variety of DC/DC converter applications and low profile use
- Operating Temperature:** -30°C to $+100^{\circ}\text{C}$
- Inductance Tolerance:** $\pm 20\%$
- Testing:** Inductance is tested on an HP4285A at 100kHz
- Packaging:** Tape & Reel
- Marking:** Parts are marked with inductance code
- Miscellaneous:** RoHS Compliant. Magnetically shielded
- Additional Information:** Additional electrical & physical information available upon request
- Samples available. See website for ordering information.**

PHYSICAL DIMENSIONS

Size	A Max.	B Max.	C Max.	D	E Max.
mm	7.4	7.4	3.5	2.0 \pm 0.2	5.4
inches	0.29	0.29	0.14	0.08 \pm 0.008	0.213



PAD LAYOUT

