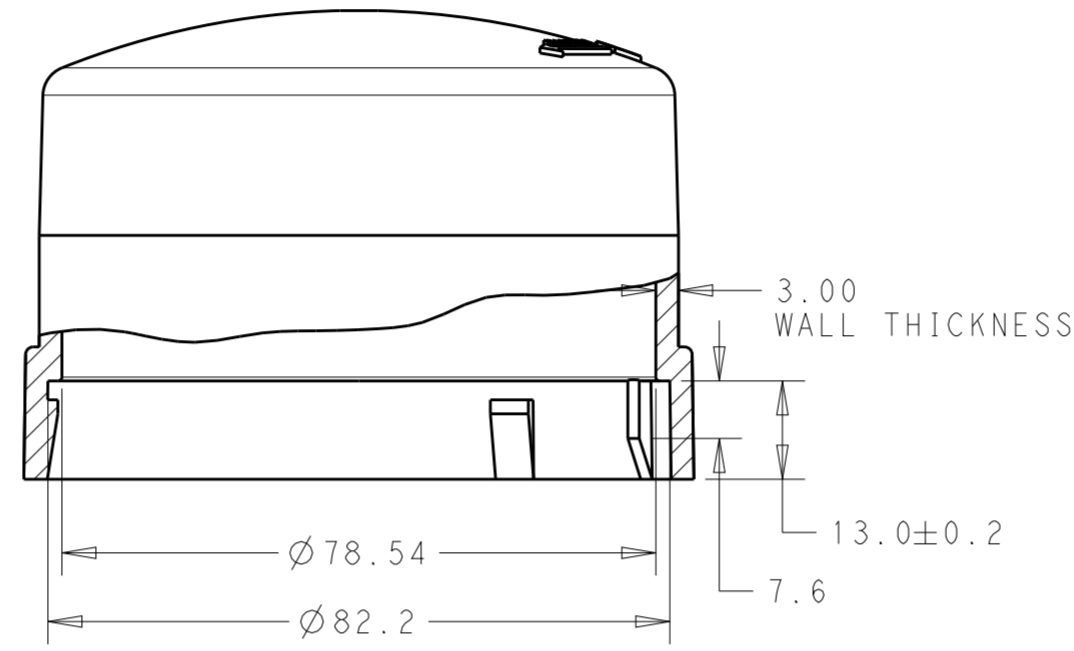
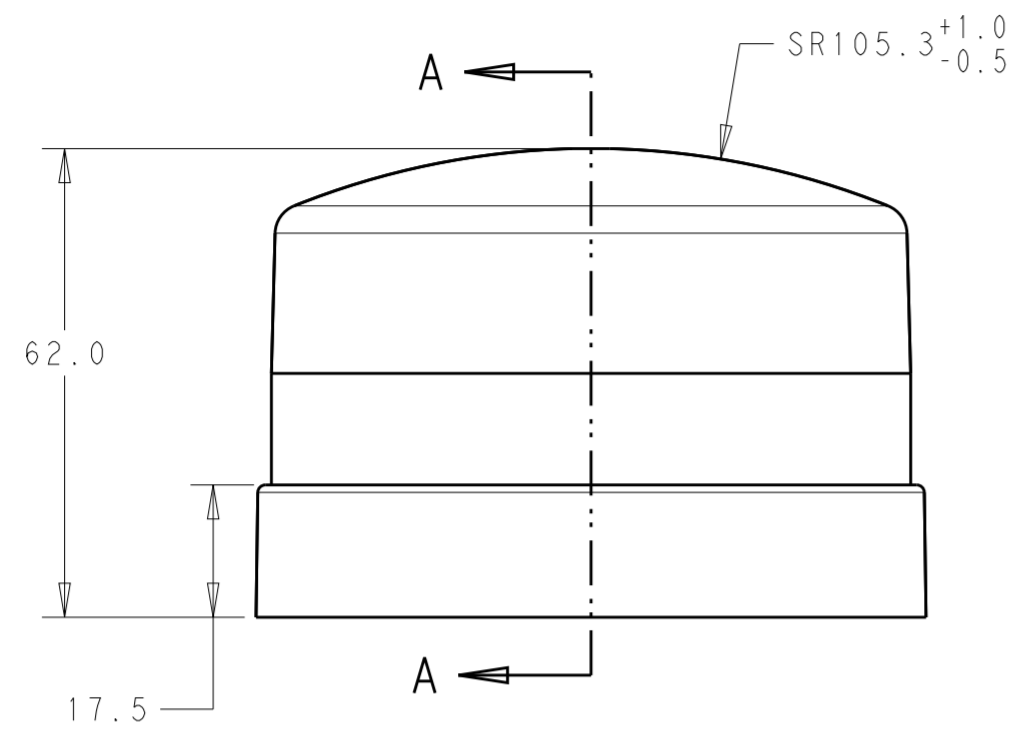


THIS DRAWING IS UNPUBLISHED. RELEASED FOR PUBLICATION 20
 © COPYRIGHT 20 BY - ALL RIGHTS RESERVED.

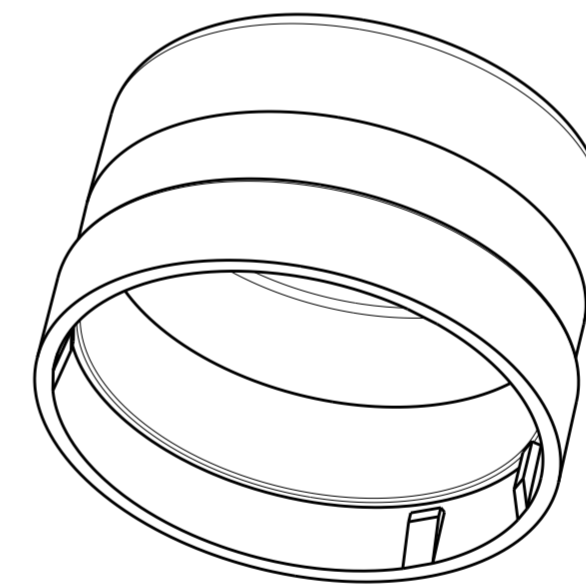
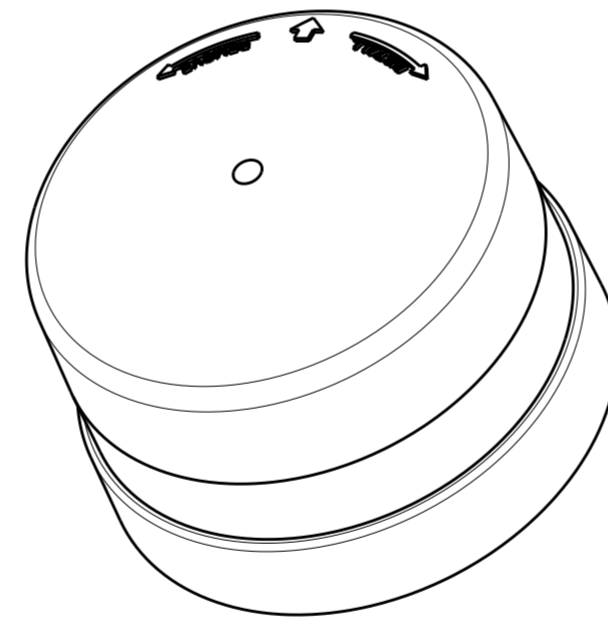
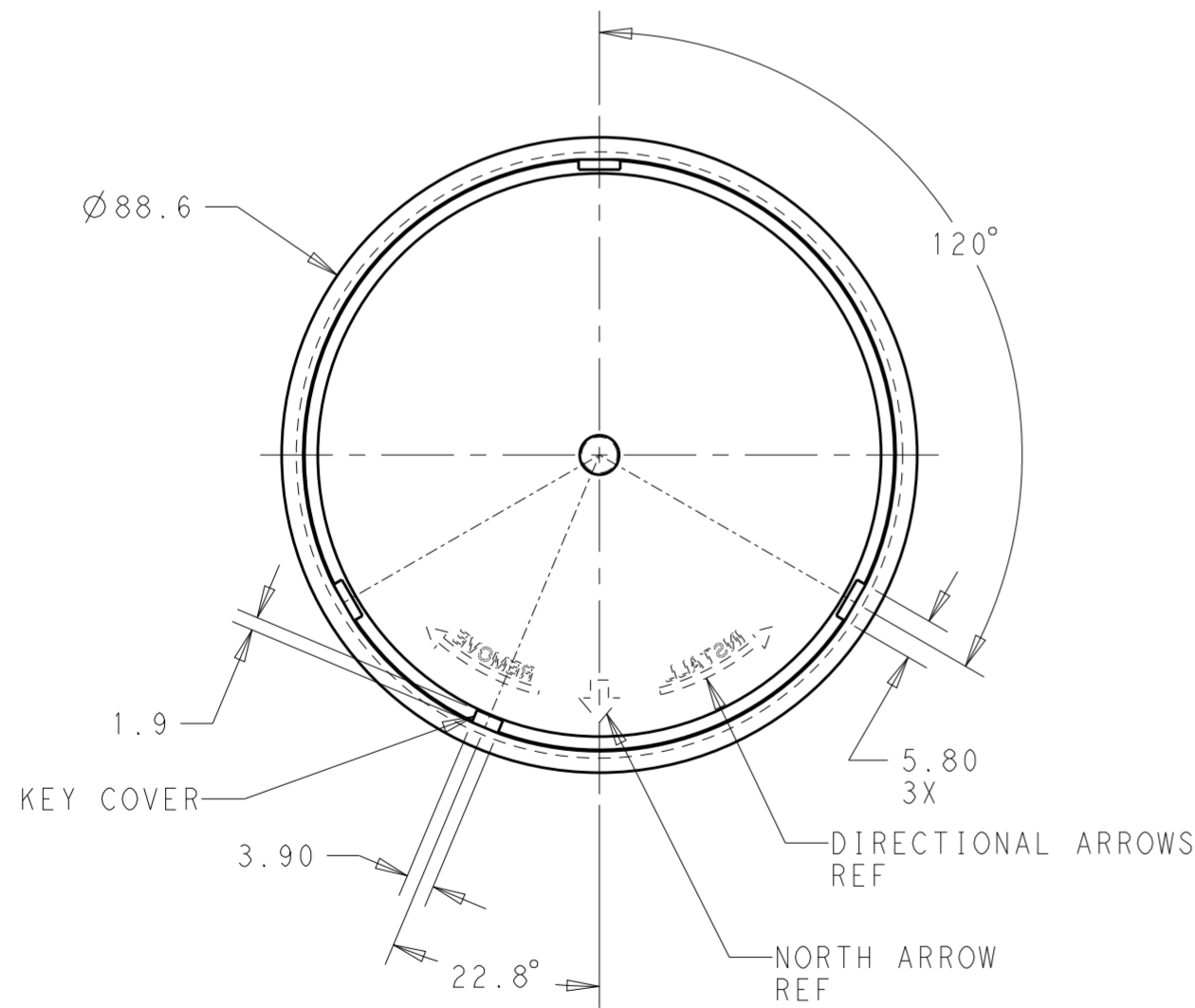
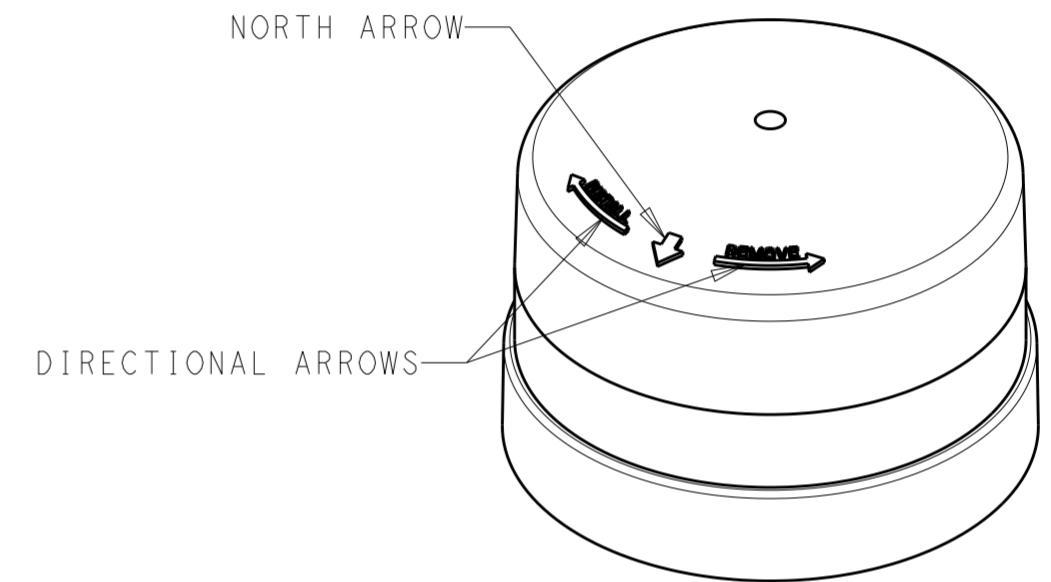
REVISIONS					
P	LTR	DESCRIPTION	DATE	DWN	APVD
A		RELEASED FOR PRODUCTION	17OCT2017	RK	DD
A1		REVISED PER ECR-19-008901	11JUN2019	SR	DD
B		REVISED PER ECR-19-010486	10JUL2019	SR	DD



SECTION A-A

NOTES:

- 1 MATERIALS:
HOUSING: POLYCARBONATE, UV 5VA RATED
COLOR: SEE TABLE
- 2 MATING BASE TE P/N: 2213871-2,1-2213871-2.
- 3. THIS PRODUCT HAS NOT COMPLETED VALIDATION TESTING.



APPROXIMATE LIGHT TRANSMISSION	COLOR	PART NO.
26%	TRANSLUCENT LIGHT GRAY	2315539-2
78%	TRANSPARENT CLEAR	1-2315539-1
24%	TRANSPARENT SMOKE GRAY	2315539-1

THIS DRAWING IS A CONTROLLED DOCUMENT.		DWN J. SHAFFER 13JAN2017	TE Connectivity		
		CHK E. HOWARD 13JAN2017			
DIMENSIONS: mm		TOLERANCES UNLESS OTHERWISE SPECIFIED: 0 PLC ± 1 PLC ±0.2 2 PLC ±0.13 3 PLC ± 4 PLC ± ANGLES ±3° FINISH -		NAME COVER, LIGHT CONTROLLER 81mm DIA, MEDIUM	
MATERIAL -		PRODUCT SPEC 108-32125 APPLICATION SPEC 114-32159 WEIGHT -		SIZE A2	
		CUSTOMER DRAWING		SCALE 1:1 SHEET 1 OF 1 REV B	