

Multilayer Ceramic Chip Capacitor

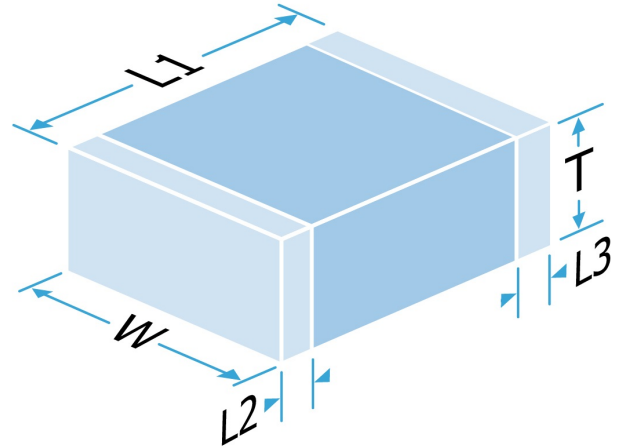
Part Number: 3640Y1K20474MXRWS3

Description: 3640 1200Vdc 470nF ±20% X7R (2R1)

A range of X7R MLC capacitors to suit a variety of applications. In a wide selection of chip sizes, rated voltages and terminations, including FlexiCap™, the world's first commercially available flexible termination.

WS2 and WS3 parts use StackiCap™ patented construction technology.

Suffix code PXX or PX mandates the use of precious metal electrode (PME) materials. This may incur additional costs.



Mechanical Specification

| | |
|--|--|
| Size Code | 3640 |
| Length (L1) in mm (") | 9.2 +0.60/-0.50 (0.36 +0.024/-0.02) |
| Width (W) in mm (") | 10.16 ± 0.50 (0.40 ± 0.02) |
| Thickness (T) in mm (") | 4.5 Max (0.177 Max) |
| Minimum Termination Band (L2,L3) in mm (") | 0.50 (0.020) |
| Maximum Termination Band (L2,L3) in mm (") | 1.50 (0.060) |
| Termination Material | FlexiCap™ Polymer termination, Nickel barrier, Sn Plated Solder (RoHS compliant) |
| Solderability | IEC-60068-2-58 |
| Packaging | 13" Reel, 500 per reel |
| Conformal Coating | Considered essential and was used for internal qualification testing |

General Electrical Specification

| | |
|--|---|
| Rated Voltage | 1200Vdc |
| Nominal Capacitance Value | 470nF |
| Capacitance Tolerance | ±20% |
| Tangent of Loss Angle (Tan δ) | ≤0.025 |
| Capacitance and Tan δ Test Conditions | 1.0Vrms @ 1kHz |
| Voltage Proof | 1440Vdc |
| (Voltage applied for 5 secs max. @ 50mA max. charge current) | |
| Min Insulation Resistance (IR) | 1.06GOhm @ 100Vdc |
| Dielectric Classification | X7R (2R1) |
| Rated Temperature Range | -55°C / +125°C |
| Maximum Capacitance Change over Temperature Range | No DC Voltage ±15% |
| Climatic Category (IEC) | Rated DC Voltage - |
| Ageing Characteristic | 55/125/56 |
| | <2% per decade (nominal capacitance is 1000 hour value) |

Knowles Precision Devices - Sales

Europe: KPD-Europe-sales@knowles.com

Asia: KPD-Asia-sales@knowles.com

USA: KPD-NA-sales@knowles.com

www.knowlescapacitors.com

This datasheet is for a standard item and is confirmed valid on the date generated, the latest published data for this part may differ and is available at <http://www.knowlescapacitors.com> or by contacting us.

© The information contained on this drawing is confidential and may not be copied in whole or part in any form or disclosed to a third party without the consent of Knowles and any customer mentioned within this specification.

Data is correct to the best of our knowledge, errors and omissions excepted.

Date: Thursday, December 08, 2022

20221208 172956450UTC

Multilayer Ceramic Chip Capacitor

Part Number: 3640Y1K20474MXRWS3

Description: 3640 1200Vdc 470nF ±20% X7R (2R1)

Environmental

| | |
|--|------------------|
| RoHS Compliant to 2011/65/EC as amended by 2015/863/EU | Compliant |
| REACH Compliant | 224 compliant |
| California Proposition 65 | No exposure risk |

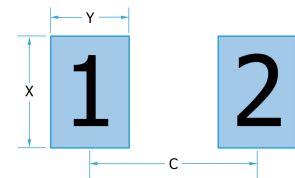
Board Layout

Knowles' conventional 2-terminal chip capacitors can generally be mounted using pad designs in accordance with international specification IPC-7351, Generic Requirements for Surface Mount Design and Land Pattern Standards, but there are some other factors that have been shown to reduce mechanical stress, such as reducing the pad width to less than the chip width. In addition, the position of the chip on the board should be considered.

Some high voltage parts may require modifications to the board layout and/or the addition of a conformal coating to prevent flashover. Refer to application note AN0043 for further information.

IPC-7351 pad design

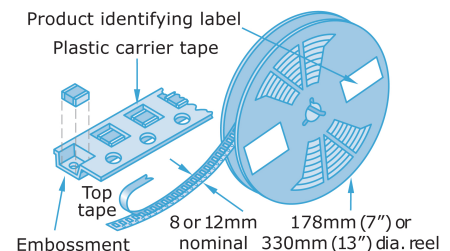
| | 3640 | |
|---|---------|--------|
| C | 8.40mm | 0.331" |
| Y | 2.05mm | 0.081" |
| X | 10.65mm | 0.419" |



Packaging

Tape packaging information for tape-and-reel parts:

Tape and reel packing of surface mounting chip capacitors for automatic placement are in accordance with IEC60286-3.



Soldering

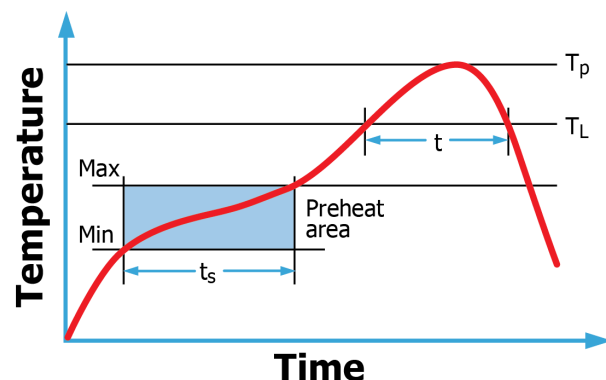
Reflow solder in accordance with IPC-A-610. Recommended reflow profile as laid down in IPC/JEDEC J-STD-020.

Wave soldering is also possible, but care must be taken for case sizes 1210 and larger and component thickness >1.0mm. Trials are encouraged.

Hand soldering is not recommended and can lead to component damage through thermal shock.

PdAg terminations are primarily intended for conductive epoxy attachment - they may be suitable for soldering but trials are recommended.

Application notes with mounting and handling guidance are available on request.



Compex

DLI

Johanson MFG

Novacap

Syfer

Voltronics

Knowles Precision Devices - Sales

Europe: KPD-Europe-sales@knowles.com

Asia: KPD-Asia-sales@knowles.com

USA: KPD-NA-sales@knowles.com

www.knowlescapacitors.com

This datasheet is for a standard item and is confirmed valid on the date generated, the latest published data for this part may differ and is available at <http://www.knowlescapacitors.com> or by contacting us.

© The information contained on this drawing is confidential and may not be copied in whole or part in any form or disclosed to a third party without the consent of Knowles and any customer mentioned within this specification.

Data is correct to the best of our knowledge, errors and omissions excepted.

Date: Thursday, December 08, 2022

20221208 172956450UTC