

# High Frequency Ceramic Solutions

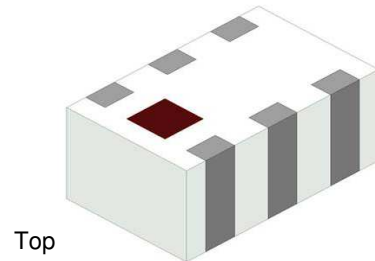
## 2.45 GHz EIA 0603 High Pass Filter

P/N 2450HP14A100

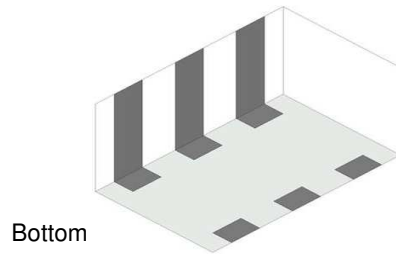
Detail Specification: 9/21/2021

Page 1 of 4

General Specifications	
Part Number	2450HP14A100
Frequency (MHz)	2400 - 2500
Insertion Loss (dB)	1.3 max.
Return Loss (dB)	14.0 min.
Attenuation (dB)	20 @ 1917 MHz
Impedance ( $\Omega$ )	50
Power Capacity (W)	2 max. (CW)
Operating Temperature	-40 to +85 °C
Recommended Storage Conditions and Period for Unused Product on T&R	+5°C to +35°C Humidity 45 - 75% RH 18 months max.
Reel Quantity (pcs./reel)	4,000



Top



Bottom

## Part Number Explanation

P/N Suffix	Packing Style	Bulk (loose pcs.)	Suffix = S	E.g. 2450HP14A100S
		T & R	Suffix = T	E.g. 2450HP14A100T
	Termination Style	Ni/Sn	Suffix = None	E.g. 2450HP14A100(T or S)
	Evaluation Board	50 $\Omega$ SMA	Suffix = EB-SMA	E.g. 2450HP14A100-EB-SMA

Would you like the layout file for component? Please send us as message at: <https://www.johansontechnology.com/ask-a-question>

## Mechanical Dimensions

	In	mm
L	0.063 $\pm$ 0.004	1.60 $\pm$ 0.1
W	0.031 $\pm$ 0.004	0.80 $\pm$ 0.1
T	0.022 $\pm$ 0.004	0.55 $\pm$ 0.1
a	0.008 $\pm$ 0.004	0.20 $\pm$ 0.1
b	0.008 +.004/-.008	0.20 +0.1/-.02
c	0.006 $\pm$ 0.004	0.15 $\pm$ 0.1
g	0.012 $\pm$ 0.004	0.30 $\pm$ 0.1
p	0.020 $\pm$ 0.002	0.50 $\pm$ 0.05

## Terminal Configuration

No.	Function	No.	Function
1	IN/OUT	4	NC
2	GND	5	GND
3	IN/OUT	6	NC

Johanson Technology, Inc. reserves the right to make design changes without notice.  
All sales are subject to Johanson Technology, Inc. terms and conditions.



<https://www.johansontechnology.com>  
4001 Calle Tecate • Camarillo, CA 93012 • TEL 805.389.1166 FAX 805.389.1821  
Ver. 3.0

2021 Johanson Technology, Inc. All Rights Reserved

# High Frequency Ceramic Solutions

2.45 GHz EIA 0603 High Pass Filter

P/N 2450HP14A100

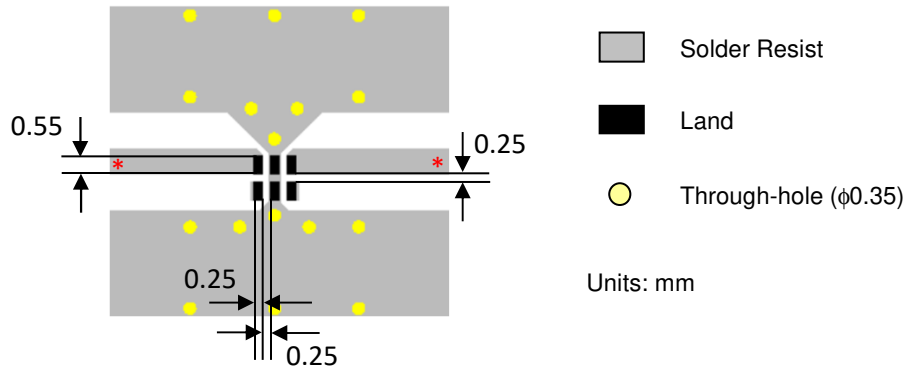
Detail Specification: 9/21/2021

Page 2 of 4

## Mounting Considerations

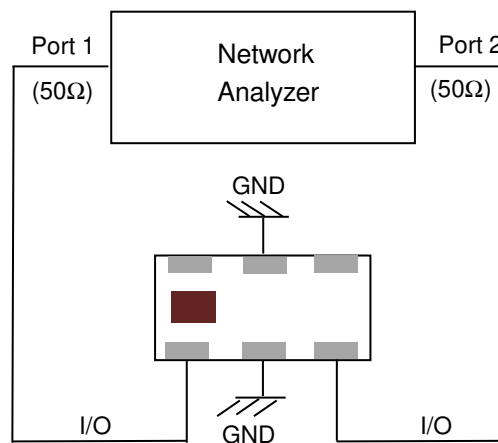
Mount these devices with brown mark facing up.

\*Line width should be designed to provide 50Ω impedance matching characteristics.



Need help with the layout, s-parameters, simulation, or design validation?  
Send us a message at: <https://www.johansontechnology.com/ask-a-question>

## Measuring Diagram



Johanson Technology, Inc. reserves the right to make design changes without notice.  
All sales are subject to Johanson Technology, Inc. terms and conditions.

# High Frequency Ceramic Solutions

2.45 GHz EIA 0603 High Pass Filter

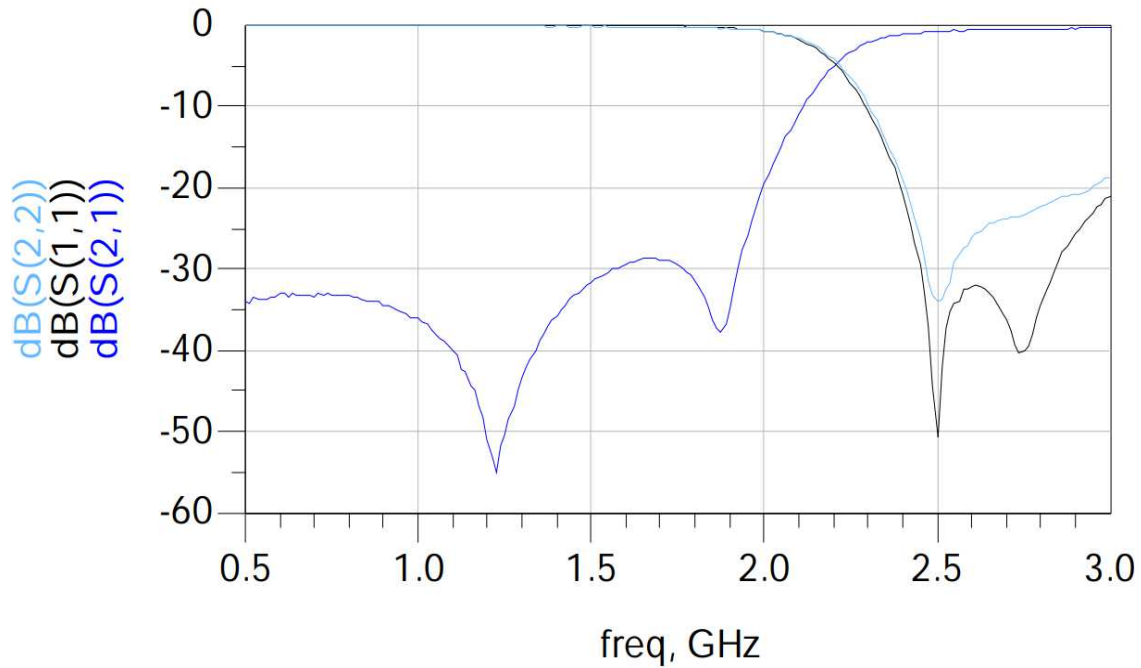
P/N 2450HP14A100

Detail Specification: 9/21/2021

Page 3 of 4

## Typical Electrical Performance (T=25°C)

### Insertion and Return Loss



Johanson Technology, Inc. reserves the right to make design changes without notice.  
All sales are subject to Johanson Technology, Inc. terms and conditions.



<https://www.johansontechnology.com>

4001 Calle Tecate • Camarillo, CA 93012 • TEL 805.389.1166 FAX 805.389.1821

Ver. 3.0

2021 Johanson Technology, Inc. All Rights Reserved

# High Frequency Ceramic Solutions

**2.45 GHz EIA 0603 High Pass Filter**

**P/N 2450HP14A100**

Detail Specification: 9/21/2021

Page 4 of 4

## Application Notes, Layout Files, and more

<https://www.johansontechnology.com/high-pass-filters>

## Packaging information

<https://www.johansontechnology.com/tape-reel-packaging>

## Soldering Information

<https://www.johansontechnology.com/ipcsoldering-profile>

## MSL Info

<https://www.johansontechnology.com/msl-rating>

## Recommended Storage Condition and Max Shelf Life

<https://www.johansontechnology.com/recommended-storage-conditions>

## RoHS Compliance

<https://www.johansontechnology.com/technical-notes/rohs-compliance>

## Layout review services

<https://www.johansontechnology.com/ask-a-question>

## Antenna layout review, tuning, and characterization services

<https://www.johansontechnology.com/ipc-antenna-services>

Johanson Technology, Inc. reserves the right to make design changes without notice.  
All sales are subject to Johanson Technology, Inc. terms and conditions.



<https://www.johansontechnology.com>  
4001 Calle Tecate • Camarillo, CA 93012 • TEL 805.389.1166 FAX 805.389.1821  
Ver. 3.0 2021 Johanson Technology, Inc. All Rights Reserved