

PATRZ UWAGA 1
SEE NOTE 1

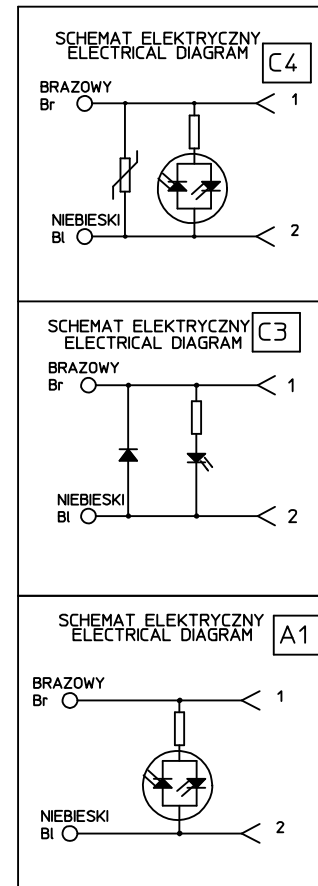
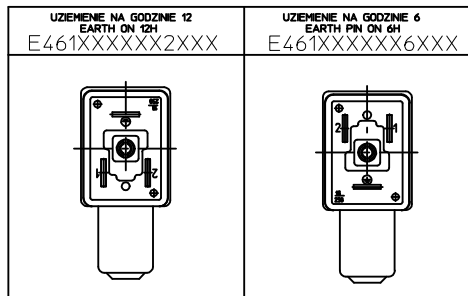
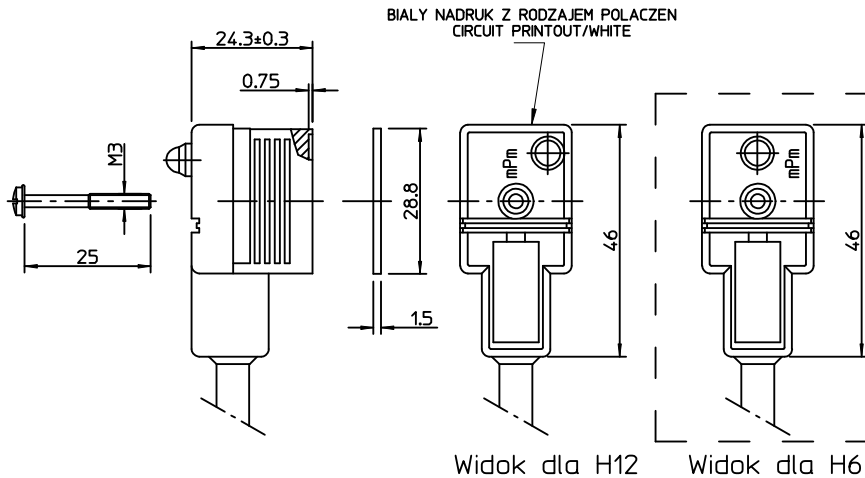
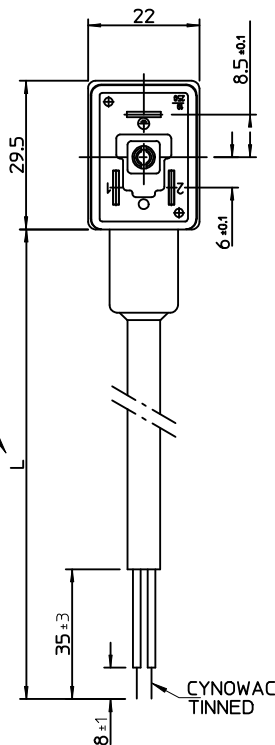


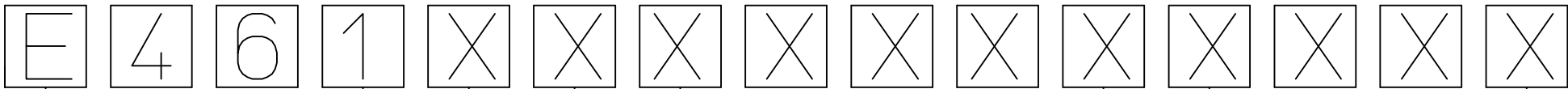
Table of length tolerances/ Tablica tolerancji dlugosci mm		
Over/Od	Up to and including/ Do-wlacznie	Tolerance/Tolerancja +/-
100	1000	±20
1000	3000	±30
3000	5000	±40
5000	10000	±50
10000	15000	±100
15000	20000	±150
	>20000	L/100

UWAGI:
1. DLUGOSC PATRZ ARKUSZ 2.

NOTES:
1. LENGHT SEE SHEET 2.

ORIGINAL RELEASE EC NO: WEU2009-0472 DRWIN: MWOLSZCZAK 2009/06/29 CHYKD: MDABROWSKA 2009/07/01 APPR: GOGRODNIK 2009/07/01	QUALITY SYMBOLS ▽=0 ◻=0	GENERAL TOLERANCES (UNLESS SPECIFIED)		DIMENSION STYLE MM ONLY		SCALE ---	DESIGN UNITS METRIC	FIRST ANGLE PROJECTION		
			mm	INCH	DRAWN BY MWOLSZCZAK	DATE 2009/06/25	TITLE MPM E461XXXXXXXXXXXX			
		4 PLACES	± ---	± ---	CHECKED BY MDABROWSKA	DATE 2009/06/25	MOLEX INCORPORATED			
		3 PLACES	± ---	± ---	APPROVED BY GOGRODNIK	DATE 2009/06/25				
	ANGULAR ± ---°		MATERIAL NO.		DOCUMENT NO.		SHEET NO.			
	DRAFT WHERE APPLICABLE MUST REMAIN WITHIN DIMENSIONS		SEE DRAWING		E461XXXXXXXXXXXX		1 OF 4			
A	REV	THIS DRAWING CONTAINS INFORMATION THAT IS PROPRIETARY TO MOLEX INCORPORATED AND SHOULD NOT BE USED WITHOUT WRITTEN PERMISSION								

10 9 8 7 6 5 4 3 2 1



E - Pakowanie bez workow
 W - Pakowanie pojedynczo
 Q - Szybkie pakowanie

ILOSC PRZEWODOW/NUMBER OF WIRES:
 1=2 PRZEWODY,
 2=2 PRZEWODY+UZIEMIENIE.

TYP KABLA/CABLE TYPE
 PATRZ TABELA 1/SEE TABLE 1

RODZAJ KABLA/CABLE CROSS SECTION AREA
 PATRZ TABELA 2/SEE TABLE 2

KOLOR MOULDINGU/HEAD COLOUR:
 G=SZARY/GREY,
 N=CZARNY/BLACK,
 T=PRZECZYSTY/TRANSPARENT,
 A=CZARNY/BLACK,
 B=SZARY/GREY.

DLUGOSC KABLA W CM/CABLE LENGHT IN CM
 NP:050=50 CM, 300=300 CM.

POLOZENIE PINU Z UZIEMIENIEM/EARTH PIN LOCATION:
 1=PODWOJNE UZIEMIENIE NA GODZINIE 6 ORAZ 12/DOUBLE EARTH ON 6H AND 12H,
 2=UZIEMIENIE NA GODZINIE 12/EARTH ON 12H,
 6=UZIEMIENIE NA GODZINIE 6/EARTH ON 6H.

GASKET ORAZ SRUBY/GASKET SCREWS:
 1-GASKET PROFILOWANY+SRUBA/NBR PROFILE GASKET+FIXING SCREWS,
 2-NBR PLASKI GASKET+SRUBA/NBR FLAT GASKET+SCREW,
 3-SILIKONOWY PROFILOWANY GASKET+SRUBA/SILICONE PROFILE GASKET+SCREW,
 4-SILIKONOWY PLASKI GASKET+SRUBA/SILICON FLAT GASKET+SCREW,
 P=ZINTEGROWANY GASKET+SRUBA/INTEGRATED GASKET+FIXING SCREW,
 R=ZINTEGROWANY GASKET+SRUBA/INTAGRATED GASKET+SCREW,
 T=PROFILOWANY GASKET+SRUBA, PROFILE GASKET+SCREW.

RODZAJ POLACZENIA/INTERNAL CIRCUIT
 PATRZ SCHEMATY POLACZEN/WIREING CONFIGURATION

NAPIECIE ORAZ KOLOR DIODY/VOLTAGE AND LED COLOUR:

1= 12V	A= 12V	G= 12V
2= 24V	B= 24V	H= 24V
3= 48V	C= 48V	K= 48V
4= 115V	D= 115V	L= 115V
5= 230V	E= 230V	M= 230V

CZERWONA DIODA
 RED LED
 ZIELONA DIODA
 GREEN LED
 ZOLTA DIODA
 YELLOW LED

ORIGINAL RELEASE EC NO: WEU2009-0472 DRWN: MWOLSZCZAK 2009/06/29 CHKD: MDABROWSKA 2009/07/01 APPR: GOGRODNIK 2009/07/01	DESCRIPTION REV	QUALITY SYMBOLS	GENERAL TOLERANCES (UNLESS SPECIFIED)	DIMENSION STYLE	SCALE	DESIGN UNITS	FIRST ANGLE PROJECTION																																								
		=0 =0	<table border="1"> <tr> <th></th> <th>mm</th> <th>INCH</th> </tr> <tr> <td>4 PLACES</td> <td>± ---</td> <td>± ---</td> </tr> <tr> <td>3 PLACES</td> <td>± ---</td> <td>± ---</td> </tr> <tr> <td>2 PLACES</td> <td>± ---</td> <td>± ---</td> </tr> <tr> <td>1 PLACE</td> <td>± ---</td> <td>± ---</td> </tr> <tr> <td colspan="3">ANGULAR ± ---°</td> </tr> </table>		mm	INCH	4 PLACES	± ---	± ---	3 PLACES	± ---	± ---	2 PLACES	± ---	± ---	1 PLACE	± ---	± ---	ANGULAR ± ---°			<table border="1"> <tr> <th colspan="2">MM ONLY</th> </tr> <tr> <td>DRAWN BY</td> <td>DATE</td> </tr> <tr> <td>MWOLSZCZAK</td> <td>2009/06/25</td> </tr> <tr> <td>CHECKED BY</td> <td>DATE</td> </tr> <tr> <td>MDABROWSKA</td> <td>2009/06/25</td> </tr> <tr> <td>APPROVED BY</td> <td>DATE</td> </tr> <tr> <td>GOGRODNIK</td> <td>2009/06/25</td> </tr> <tr> <td colspan="2">MATERIAL NO.</td> </tr> <tr> <td colspan="2">SEE DRAWING</td> </tr> </table>	MM ONLY		DRAWN BY	DATE	MWOLSZCZAK	2009/06/25	CHECKED BY	DATE	MDABROWSKA	2009/06/25	APPROVED BY	DATE	GOGRODNIK	2009/06/25	MATERIAL NO.		SEE DRAWING		<table border="1"> <tr> <td>TITLE</td> <td>MPM E461XXXXXXXXXX</td> </tr> <tr> <td>DOCUMENT NO.</td> <td>E461XXXXXXXXXX</td> </tr> <tr> <td>SHEET NO.</td> <td>2 OF 4</td> </tr> </table>	TITLE	MPM E461XXXXXXXXXX	DOCUMENT NO.	E461XXXXXXXXXX	SHEET NO.	2 OF 4
			mm	INCH																																											
		4 PLACES	± ---	± ---																																											
3 PLACES	± ---	± ---																																													
2 PLACES	± ---	± ---																																													
1 PLACE	± ---	± ---																																													
ANGULAR ± ---°																																															
MM ONLY																																															
DRAWN BY	DATE																																														
MWOLSZCZAK	2009/06/25																																														
CHECKED BY	DATE																																														
MDABROWSKA	2009/06/25																																														
APPROVED BY	DATE																																														
GOGRODNIK	2009/06/25																																														
MATERIAL NO.																																															
SEE DRAWING																																															
TITLE	MPM E461XXXXXXXXXX																																														
DOCUMENT NO.	E461XXXXXXXXXX																																														
SHEET NO.	2 OF 4																																														
DRAFT WHERE APPLICABLE MUST REMAIN WITHIN DIMENSIONS				MOLEX INCORPORATED																																											
				THIS DRAWING CONTAINS INFORMATION THAT IS PROPRIETARY TO MOLEX INCORPORATED AND SHOULD NOT BE USED WITHOUT WRITTEN PERMISSION																																											

9 8 7 6 5 4 3 2 1

10

9

8

7

6

5

4

3

2

1

TABELA 2 KABLE/TABLE 2 CABLES

MOLEX PN	mPm	Code	PRZEZ	PRZEKROJ	MATERIAL	KOLOR/COLOUR	SREDNICA Ø	DIN A-B	DIN C
1210180080	I	0	3	1 mm2	PVC CEI 2022 II O.R.	Szary/Grey RAL7035	-	-	-
1210180467	A	2	2	20 AWG	PVC CSA/UL 2661	Czamy/Black	5,5+/-0,2 mm	OK.	OK.
-	A	2	3	20 AWG	PVC CSA/UL 2661	Czamy/Black	5,6+/-0,2 mm	OK.	OK.
1210180394	A	2	4	20 AWG	PVC CSA/UL 2661	Czamy/Black	6,2+/-0,2 mm	OK.	OK.
-	A	2	5	20 AWG	PVC CSA/UL 2661	Czamy/Black	7+/-0,2 mm	OK.	OK.
1210180297	B	2	2	20 AWG	PUR CSA/UL 20668	Czamy/Black	5,5+/-0,2 mm	OK.	OK.
1210180126	B	2	3	20 AWG	PUR CSA/UL 20668	Czamy/Black	5,6+/-0,2 mm	OK.	OK.
1210180387	B	2	4	20 AWG	PUR CSA/UL 20668	Czamy/Black	6,2+/-0,2 mm	OK.	OK.
-	B	2	5	20 AWG	PUR CSA/UL 20668	Czamy/Black	7+/-0,2 mm	OK.	OK.
1210180122	D	2	3	0,5 mm2	PVC T12 CEI 20-20	Szary/Grey	-	-	-
-	F	2	3	0,5 mm2	CNOMO	Szary/Grey RAL7000	5,5+/-0,2 mm	OK.	OK.
1210180047	I	2	2	0,5 mm2	PVC CEI 2022 II O.R.	Szary/Grey RAL7035	5,5+/-0,2 mm	OK.	OK.
-	I	2	3	0,5 mm2	PVC CEI 2022 II O.R.	Szary/Grey RAL7035	5,5+/-0,2 mm	OK.	OK.
1210180146	I	2	4	0,5 mm2	PVC CEI 2022 II O.R.	Szary/Grey RAL7035	6,5+/-0,2 mm	OK.	OK.
1210180177	I	2	5	0,5 mm2	PVC CEI 2022 II O.R.	Szary/Grey RAL7035	7+/-0,2 mm	OK.	OK.
1210180022	N	2	2	0,5 mm2	PVCH03	Czamy/Black	5,1+ 0,2-0 mm	OK.	OK.
1210180064	N	2	3	0,5 mm2	PVCH03	Czamy/Black	5,4+ 0,2-0 mm	OK.	OK.
1210180153	N	2	4	0,5 mm2	PVCH03	Czamy/Black	5,75+0,2-0 mm	OK.	OK.
1210180046	P	2	2	0,5 mm2	PUR - BLEND	Czamy/Black	5,5+/-0,2 mm	OK.	OK.
-	P	2	3	0,5 mm2	PUR - BLEND	Czamy/Black	5,5+/-0,2 mm	OK.	OK.
1210180302	P	2	4	0,5 mm2	PUR - BLEND	Czamy/Black	-	-	-
-	P	2	5	0,5 mm2	PUR - BLEND	Czamy/Black	7+/-0,2 mm	OK.	OK.
1210180409	A	3	2	18 AWG	PVC CSA/UL 2661	Czamy/Black	6,5+/-0,2 mm	OK.	OK.
1210180129	A	3	3	18 AWG	PVC CSA/UL 2661	Czamy/Black	6,5+/-0,2 mm	OK.	OK.
1210180159	A	3	4	18 AWG	PVC CSA/UL 2661	Czamy/Black	7+/-0,2 mm	OK.	OK.
-	A	3	5	18 AWG	PVC CSA/UL 2661	Czamy/Black	7,8+/-0,2 mm	OK.	OK.
1210180351	B	3	2	18 AWG	PUR CSA/UL 20668	Czamy/Black	6,5+/-0,2 mm	OK.	OK.
1210180127	B	3	3	18 AWG	PUR CSA/UL 20668	Czamy/Black	6,5+/-0,2 mm	OK.	OK.
1210180127	B	3	4	18 AWG	PUR CSA/UL 20668	Czamy/Black	7+/-0,2 mm	OK.	OK.
-	B	3	5	18 AWG	PUR CSA/UL 20668	Czamy/Black	7,8+/-0,2 mm	OK.	OK.
1210180073	D	3	3	0,75 mm2	PVC T12 CEI 20-20	Szary/Grey	-	-	-
1210180145	D	3	4	0,75 mm2	PVC T12 CEI 20-20	Szary/Grey	-	-	-
1210180120	I	3	3	0,75 mm2	PVC CEI 2022 II O.R.	Szary/Grey RAL7035	-	-	-
1210180143	I	3	4	0,75 mm2	PVC CEI 2022 II O.R.	Szary/Grey RAL7035	-	-	-
1210180032	N	3	2	0,75 mm2	PVCH05	Czamy/Black	6,2+ 0,2-0 mm	OK.	OK.
1210180069	N	3	3	0,75 mm2	PVCH05	Czamy/Black	6,6+0,2-0 mm	OK.	OK.
-	N	3	4	0,75 mm2	PVCH05	Czamy/Black	7,15+0,2-0 mm	OK.	OK.
1210180174	N	3	5	0,75 mm2	PVCH05	Czamy/Black	8,0+0,2-0 mm	OK.	OK.
-	P	3	2	0,75 mm2	PUR - BLEND	Czamy/Black	6,5+/-0,2 mm	OK.	OK.

TABELA 2 KABLE/TABLE 2 CABLES

MOLEX PN	mPm	Code	PRZEZ	PRZEKROJ	MATERIAL	KOLOR/COLOUR	SREDNICA Ø	DIN A-B	DIN C
1210180071	P	3	3	0,75 mm2	PUR - BLEND	Czamy/Black	6,5+/-0,2 mm	OK.	OK.
1210180152	P	3	4	0,75 mm2	PUR - BLEND	Czamy/Black	7+/-0,2 mm	OK.	OK.
1210180384	R	3	3	0,75 mm2	TPR HAL. FREE	Czamy/Black	6,5+/-0,2 mm	OK.	OK.
1210180094	T	3	3	0,75 mm2	PUR CSA/UL	Żółty/Yellow	-	-	-
1210180309	Y	3	3	0,75 mm2	SIL/0300	Czerwony/Red	6,5+/-0,2 mm	-	-
1210180081	F	4	3	1 mm2	CNOMO	Szary/Grey RAL7000	-	-	-
-	F	4	4	1 mm2	CNOMO	Szary/Grey RAL7000	7,1+0,2-0 mm	OK.	OK.
1210180042	I	4	2	1 mm2	PVC CEI 2022 II O.R.	Szary/Grey RAL7035	7,1+0,2-0 mm	OK.	OK.
1210180079	I	4	3	1 mm2	PVC CEI 2022 II O.R.	Szary/Grey RAL7035	7,1+0,2-0 mm	OK.	OK.
1210180036	N	4	2	1 mm2	PVCH05	Czamy/Black	6,5+0,2-0 mm	OK.	OK.
1210180082	N	4	3	1 mm2	PVCH05	Czamy/Black	6,9+0,2-0 mm	OK.	OK.
1210180117	R	4	3	1 mm2	TPR HAL. FREE	Czamy/Black	-	-	-
1210180085	N	5	3	1,5 mm2	PVCH05	Czamy/Black	8,3+0,2-0 mm	OK.	OK.
1210180313	I	6	2	0,35 mm2	PVC CEI 2022 II O.R.	Szary/Grey RAL7035	-	-	-
-	A	7	3	20 AWG	PVC CSA/UL 2661	Żółty/Yellow	5,6+/-0,2 mm	OK.	OK.
1210180149	I	9	4	0,75 mm2	PVC CEI 2022 II O.R.	Szary/Grey RAL7035	-	-	-

TABELA 1 TYPY KABLI/TABLE 1 CABLES TYPE

Znakowanie /Code	Rodzaje kabla /Cable types	Właściwości /Features	Przekroje /Stranding
N	PVC	Kabel z dobrą rezystancją w wodzie ale słabą w oleju./Application general purpose cable which has good resistance to water, but usually poor oil resistance.	0.5 mm2 = 15 x 0.20 0.75 mm2 = 21 x 0.20 1 mm2 = 28 x 0.20
I	PVC	Zatwierdzone przez IEC 332-2A, samogaszący./Approved to IEC 332-2A, flame retardant and self extinguishing. Limited resistant to mineral oils.	0.5 mm2 = 28 x 0.15 0.75 mm2 = 42 x 0.15 1 mm2 = 32 x 0.20
P	PVC	Dobra rezystancja w olejach i chemikaljach./Offer good resistance to oil and chemicals. Can swell when constantly immersed in water.	0.5 mm2 = 28 x 0.15 0.75 mm2 = 42 x 0.15 1 mm2 = 32 x 0.20
A	PVC	Zatwierdzony porzez CSA-UL 2661.Dobra rezystancja na wode slaba na olej./ Approved to CSA-UL 2661, application general purpose cable which has good resistance to water, but usually poor oil resistance.	20 AWG = 32 x 0.15 18 AWG = 52 x 0.15
B	PVC	Zatwierdzony przez CSA-UL 20668, bardzo dobra rezystancja w oleju i chemikaljach./ Approved to CSA-UL 20668, very good resistance to oil and chemicals.	20 AWG = 32 x 0.15 18 AWG = 52 x 0.15

ORIGINAL RELEASE EC NO: WEU2009-0472 DRWIN: MWOL SZCZAK 2009/06/19 CHYKD: MDABROWSKA 2009/07/01 APPR: GOGRODNIK 2009/07/01	QUALITY SYMBOLS	DESCRIPTION
	▽=0	
	◻=0	
	REV	

GENERAL TOLERANCES (UNLESS SPECIFIED)	mm	INCH
	4 PLACES ± ---	± ---
DIMENSION STYLE	mm ONLY	
	DRAWN BY	DATE
SCALE ---	DESIGN UNITS	METRIC
	FIRST ANGLE PROJECTION	
DRAWING TITLE	MWOL SZCZAK	2009/06/19
	3 PLACES ± ---	± ---
DRAWING CHECKED BY	MDABROWSKA	2009/06/19
	2 PLACES ± ---	± ---
DRAWING APPROVED BY	GOGRODNIK	2009/06/19
	1 PLACE ± ---	± ---
DRAWING MATERIAL NO.	ANGULAR ± ---°	
	DRAFT WHERE APPLICABLE MUST REMAIN WITHIN DIMENSIONS	
DRAWING SIZE	SEE DRAWING	
	THIS DRAWING CONTAINS INFORMATION THAT IS PROPRIETARY TO MOLEX INCORPORATED AND SHOULD NOT BE USED WITHOUT WRITTEN PERMISSION	

TITLE	MPM E461XXXXXXXXXXXX
MOLEX INCORPORATED	
DOCUMENT NO.	E461XXXXXXXXXXXX
SHEET NO.	3 OF 4

9

8

7

6

5

4


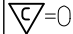

3

2

1

TABELA 3/CHART 3

MOLEX P/N	WOODHEAD P/N
1210500910	E461I2N50021C4H
1210500911	E461I4N10K21C4H
1210500920	E461I4N50021C4H
1210500923	E461N2N12K21C32
1210500941	E461P2N15021C42
1210501649	E461I2N30061A12
1210501650	E461I2N15061A12
1210501743	E461I2N50061C4H
1210501775	E461I2N10K61C4H
1210501776	E461I2N10061C4H
1210501807	E461I2N30061C4H
1210501870	E461I2N30021A12
1210502047	E461N3N30021C42
1210502048	E461B3A1002PC4B
1210502252	E461N2N15021C42
1210502483	E461N3N50061C4H
1210580024	W461P2N15021C4H
1210580055	W461P2N1502PC4H
1210502969	W461P2N15061C4H
1210502478	E461P2N10061C4H

ORIGINAL RELEASE EC NO: WEU2009-0472 DRWN: MWOLSZCZAK 2009/06/29 CHKD: MDABROWSKA 2009/07/01 APPR: GOGRODNIK 2009/07/01	DESCRIPTION REV	QUALITY SYMBOLS  = 0  = 0	GENERAL TOLERANCES (UNLESS SPECIFIED)		DIMENSION STYLE MM ONLY		SCALE ---	DESIGN UNITS METRIC	 FIRST ANGLE PROJECTION			
				4 PLACES ± --- ± --- 3 PLACES ± --- ± --- 2 PLACES ± --- ± --- 1 PLACE ± --- ± ---	mm INCH	DRAWN BY DATE MWOLSZCZAK 2009/06/25	TITLE MPM E461XXXXXXXXXXXX					
				ANGULAR ± ---°			CHECKED BY DATE MDABROWSKA 2009/06/25	MOLEX INCORPORATED				
				DRAFT WHERE APPLICABLE MUST REMAIN WITHIN DIMENSIONS			APPROVED BY DATE GOGRODNIK 2009/06/25	MATERIAL NO. SEE DRAWING		DOCUMENT NO. E461XXXXXXXXXXXX	SHEET NO. 4 OF 4	

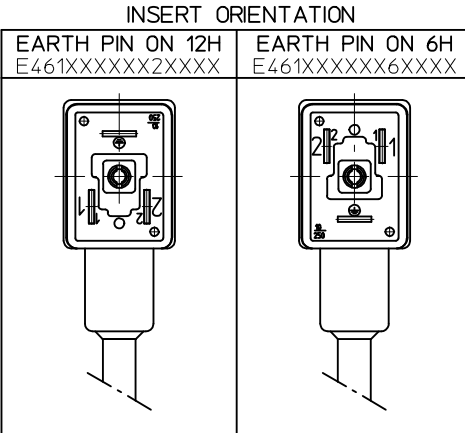
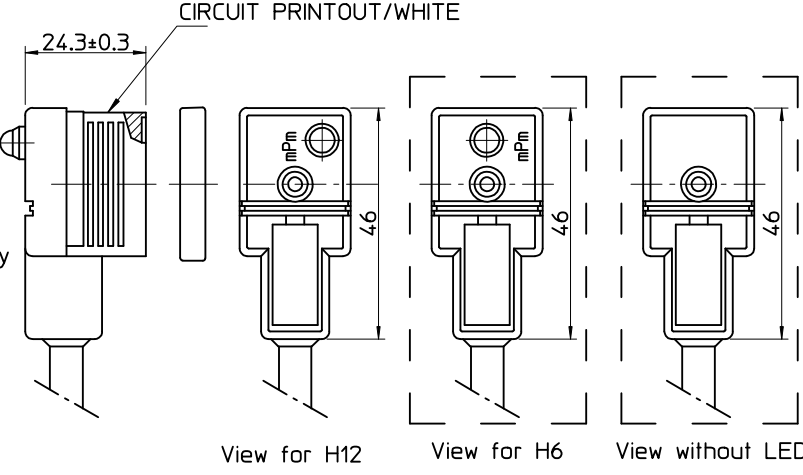
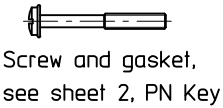
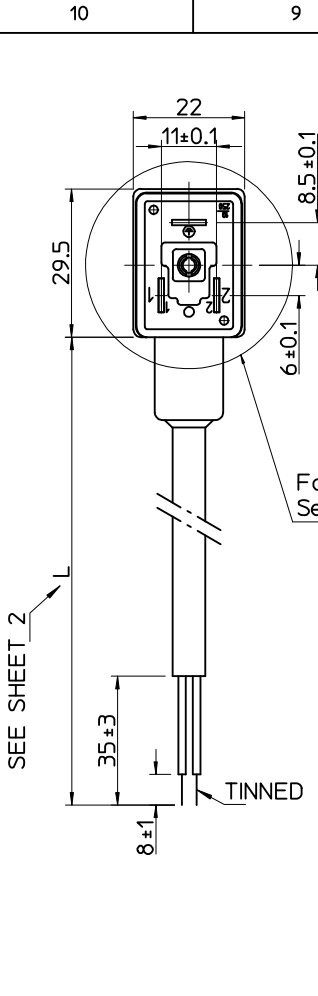
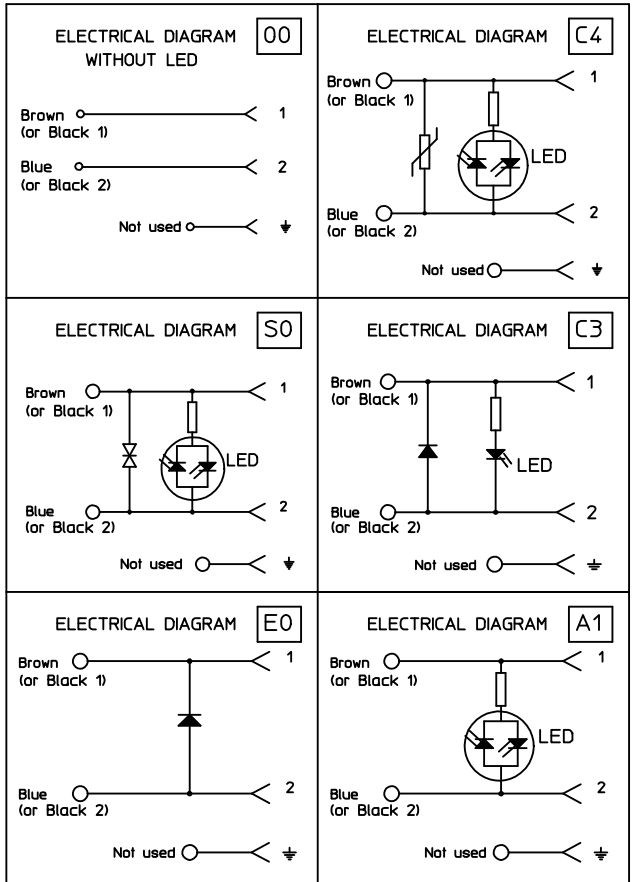


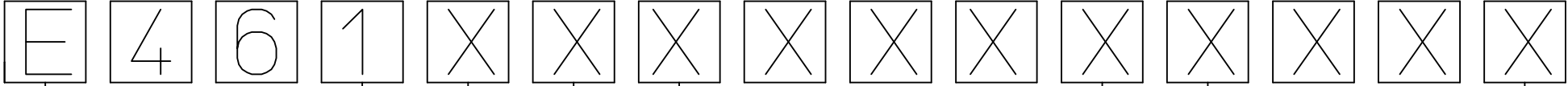
Table of length tolerances [mm]

Over	Up to and including	Tolerance (+)
0	1000	±20
1000	3000	±30
3000	5000	±40
5000	10000	±50
10000	15000	±100
15000	20000	±150
20000		±L/100



ORIGINAL RELEASE IEC NO: IPG2016-0461 DRWN: JMARSZALEK 2013/09/03 CHKD: MSZWAJKOWSKI 2013/09/03 APPR: MIWASIECZKO 2015/09/28	QUALITY SYMBOLS 	GENERAL TOLERANCES (UNLESS SPECIFIED)		DIMENSION STYLE MM ONLY	SCALE DESIGN UNITS METRIC	FIRST ANGLE PROJECTION		
	4 PLACES ± --- ± --- 3 PLACES ± --- ± --- 2 PLACES ± --- ± --- 1 PLACE ± --- ± --- 0 PLACE ± --- ± ---	mm INCH ± --- ± --- ± --- ± --- ± --- ± --- ± --- ± --- ± --- ± ---	DRAWN BY JMARSZALEK	DATE 2013/09/03	TITLE E461XXXXXXXXXX FORM INDUSTRIAL			
	DRAFT WHERE APPLICABLE MUST REMAIN WITHIN DIMENSIONS		CHECKED BY MSZWAJKOWSKI	DATE 2013/09/03	DOCUMENT NO. SD-121050-008			
	MATERIAL NO. SEE SHEET 2 & 4	APPROVED BY MIWASIECZKO	DATE 2015/09/28	SHEET NO. 1 OF 4				

10 | 9 | 8 | 7 | 6 | 5 | 4 | 3 | 2 | 1



E - Packing without bags
W - Single packing
O - Quick packing

NUMBER OF WIRES:
1=2 WIRES
2=2 WIRES + EARTH

CABLE TYPE
SEE TABLE 1

CABLE CROSS SECTION AREA
SEE TABLE 2

HEAD COLOUR:
N=BLACK;
A=CSA-UL BLACK;
B=CSA-UL GREY.

CABLE LENGHT IN CM
Eg.:050=50 CM, 300=300 CM, 10K=1000 CM.

EARTH PIN LOCATION:
2=EARTH ON 12H,
6=EARTH ON 6H.

GASKET SCREWS:
1=NBR PROFILE GASKET+FIXING SCREWS (M3x25 mm).
2=NBR FLAT GASKET+SCREW (M3x25 mm).
3=SILICONE PROFILE GASKET+SCREW (M3x25 mm).
4=SILICON FLAT GASKET+SCREW (M3x25 mm).
P=INTEGRATED GASKET+FIXING SCREW+GROMMET (M3x27 mm).
R=INTAGRATED GASKET+SCREW+GROMMET (M3x27 mm).
T=PROFILE GASKET+SCREW+GROMMET (M3x27 mm).

INTERNAL CIRCUIT
WIREING CONFIGURATION

VOLTAGE AND LED COLOUR:

1= 12V	A= 12V	G= 12V
2= 24V	B= 24V	H= 24V
3= 48V	C= 48V	K= 48V
4= 115V	D= 115V	L= 115V
5= 230V	E= 230V	M= 230V

RED LED GREEN LED YELLOW LED

ORIGINAL RELEASE EC NO: IPG2016-0461 DRWN: JMARSZALEK 2013/09/03 CHKD: MSZWAJKOWSKI 2013/09/03 APPR: MIWASIECZKO 2015/09/28	QUALITY SYMBOLS =0 =0	GENERAL TOLERANCES (UNLESS SPECIFIED)		DIMENSION STYLE	SCALE	DESIGN UNITS	FIRST ANGLE PROJECTION	
				MM ONLY	1:1	METRIC		
				DRAWN BY	DATE	TITLE		
				3 PLACES	± --- ± ---	JMARSZALEK	2013/09/03	E461XXXXXXXXXX FORM INDUSTRIAL
		2 PLACES	± --- ± ---	CHECKED BY	DATE			
		1 PLACE	± --- ± ---	MSZWAJKOWSKI	2013/09/03			
		0 PLACE	± --- ± ---	APPROVED BY	DATE			
		ANGULAR ± --- °		MIWASIECZKO	2015/09/28			
		DRAFT WHERE APPLICABLE MUST REMAIN WITHIN DIMENSIONS		MATERIAL NO.	DOCUMENT NO.		SHEET NO.	
				SEE PN KEY	SD-121050-008		2 OF 4	
				SIZE	THIS DRAWING CONTAINS INFORMATION THAT IS PROPRIETARY TO MOLEX INCORPORATED AND SHOULD NOT BE USED WITHOUT WRITTEN PERMISSION			
				A3				

9 | 8 | 7 | 6 | 5 | 4 | 3 | 2 | 1

TABLE 2 - CABLES

Mollex PN Raw cable	Cable type	Cable code	Wires no.	Cross Section	Jacket material	Jacket color	Diameter Ø [mm]	Wire colors
1202091424	I	0	3	1 mm ²	PVC CEI 2022 II O.R.	Grey	7.6±0.2	BN, BU, GN/YE
1210180467	A	2	2	20 AWG	PVC CSA/UL 2661	Black	5.4±0.2	BN, BU
1210180128	A	2	3	20 AWG	PVC CSA/UL 2661	Black	5.6±0.2	BN, BU, GN/YE
1210180394	A	2	4	20 AWG	PVC CSA/UL 2661	Black	6.2±0.25	BN, BU, BK, GN/YE
1210180297	B	2	2	20 AWG	PUR CSA/UL 20668	Black	5.6±0.2	BN, BU
1210180126	B	2	3	20 AWG	PUR CSA/UL 20668	Black	5.6±0.2	BN, BU, GN/YE
1210180387	B	2	4	20 AWG	PUR CSA/UL 20668	Black	6.3±0.2	BN, BU, BK, GN/YE
1210180284	D	2	3	0.5 mm ²	PVC CEI 20-20	Grey	5.5+0.3/-0	BN, BU, GN/YE
1210180047	I	2	2	0.5 mm ²	PVC CEI 2022 II O.R.	Grey	5.5+0.3/-0	BN, BU
1210180284	I	2	3	0.5 mm ²	PVC CEI 2022 II O.R.	Grey	5.5+0.3/-0	BN, BU, GN/YE
1210180146	I	2	4	0.5 mm ²	PVC CEI 2022 II O.R.	Grey	6.5±0.2	BN, BU, BK, GN/YE
1210180177	I	2	6	0.5 mm ²	PVC CEI 2022 II O.R.	Grey	7.0 +0.3/-0	BN, BU, BK, WH, GN/YE
1210180022	N	2	2	0.5 mm ²	PVC H03VV-F	Black	5.2±0.2	BN, BU
1202092753	N	2	3	0.5 mm ²	PVC H03VV-F	Black	5.5±0.2	BN, BU, GN/YE
1210180153	N	2	4	0.5 mm ²	PVC H03VV-F	Black	5.9±0.3	BN, BU, BK, GN/YE
1210180046	P	2	2	0.5 mm ²	PUR - BLEND	Black	5.5±0.2	BN, BU
1202092439	P	2	3	0.5 mm ²	PUR - BLEND	Black	5.5 +0.3/-0	BN, BU, GN/YE
1210180302	P	2	4	0.5 mm ²	PUR - BLEND	Black	6.5±0.2	BN, BU, BK, GN/YE
1202092215	P	2	6	0.5 mm ²	PUR - BLEND	Black	7+0.3/-0.1	BN, BU, BK, WH, GN/YE
1210180409	A	3	2	18 AWG	PVC CSA/UL 2661	Black	6.2±0.25	BN, BU
1210180129	A	3	3	18 AWG	PVC CSA/UL 2661	Black	6.5±0.25	BN, BU, GN/YE
1210180159	A	3	4	18 AWG	PVC CSA/UL 2661	Black	7.0+0.3/-0	BN, BU, BK, GN/YE
1210180464	A	3	5	18 AWG	PVC CSA/UL 2661	Black	7.8±0.25	BN, BU, BK, WH, GN/YE
1210180351	B	3	2	18 AWG	PUR CSA/UL 20668	Black	6.2±0.2	BN, BU
1210180127	B	3	3	18 AWG	PUR CSA/UL 20668	Black	6.5±0.2	BN, BU, GN/YE
1210180160	B	3	4	18 AWG	PUR CSA/UL 20668	Black	7±0.2	BN, BU, BK, GN/YE
1210180463	B	3	6	18 AWG	PUR CSA/UL 20668	Black	7.8±0.25	BN, BU, BK, WH, GN/YE
1210180073	D	3	3	0.75 mm ²	PVC CEI 20-20	Grey	6.5±0.2	BN, BU, GN/YE
1210180145	D	3	4	0.75 mm ²	PVC CEI 20-20	Grey	7.1±0.2	BN, BU, BK, GN/YE
1202098206	I	3	2	0.75 mm ²	PVC CEI 2022 II O.R.	Grey	5.5±0.2	BK1, BK2
1210180120	I	3	3	0.75 mm ²	PVC CEI 2022 II O.R.	Grey	6.0±0.2	BK1, BK2, BK3
1210180143	I	3	4	0.75 mm ²	PVC CEI 2022 II O.R.	Grey	7.0±0.2	BN, BU, BK, GN/YE
1210180032	N	3	2	0.75 mm ²	PVC H05VV-F	Black	6.2±0.2	BN, BU
1210180069	N	3	3	0.75 mm ²	PVC H05VV-F	Black	6.5±0.2	BN, BU, GN/YE
1210180144	N	3	4	0.75 mm ²	PVC H05VV-F	Black	7.1±0.2	BN, BU, BK, GN/YE
1210180174	N	3	6	0.75 mm ²	PVC H05VV-F	Black	8.0+0.2/-0	BN, BU, BK, GY, GN/YE
1202094190	P	3	2	0.75 mm ²	PUR - BLEND	Black	6.5±0.2	BN, BU
1210180071	P	3	3	0.75 mm ²	PUR - BLEND	Black	6.5±0.2	BN, BU, GN/YE
1210180152	P	3	4	0.75 mm ²	PUR - BLEND	Black	7.0±0.2	BN, BU, BK, GN/YE

TABLE 2 - CABLES

Mollex PN Raw cable	Cable type	Cable code	Wires no.	Cross Section	Jacket material	Jacket color	Diameter Ø [mm]	Wire colors
1210180384	R	3	3	0.75 mm ²	TPR HAL. FREE	Black	6.5±0.2	BN, BU, GN/YE
1210180094	T	3	3	0.75 mm ²	PUR CSA/UL 20668	Yellow	6.5±0.2	BN, BU, GN/YE
1210180309	Y	3	3	0.75 mm ²	SILICONE RUBBER	Red	6.5±0.2	BN, BU, GN/YE
1210180081	F	4	3	1 mm ²	PVC CNOMO	Grey	7.1+0.2/-0	BK1, BK2, GN/YE
1210180042	I	4	2	1 mm ²	PVC CEI 2022 II O.R.	Grey	7.1+0.2/-0	BN, BU
1210180079	I	4	3	1 mm ²	PVC CEI 2022 II O.R.	Grey	7.1+0.2/-0	BN, BU, GN/YE
1210180036	N	4	2	1 mm ²	PVC H05VV-F	Black	6.5±0.2	BN, BU
1210180082	N	4	3	1 mm ²	PVC H05VV-F	Black	6.9±0.2	BN, BU, GN/YE
1210180117	R	4	3	1 mm ²	TPR HAL. FREE	Black	7.1±0.2	BN, BU, GN/YE
1210180085	N	5	3	1.5 mm ²	PVC H05VV-F	Black	7.9±0.2	BN, BU, GN/YE
1210180313	I	6	2	0.35 mm ²	PVC CEI 2011	Grey	4.8±0.2	BN, WH
1210180148	I	9	4	0.75 mm ²	PVC CEI 2022 II	Grey	7.3±0.2	BN, BU, BK, GN/YE

TABLE 1 - TYPES OF CABLES

Code	Cable types	Features	Cross Section
N	PVC	Application general purpose cable which has good resistance to water, but usually poor oil resistance.	0.5 mm ² 0.75 mm ² 1 mm ²
I	CEI	Approved to IEC 332-2A, flame retardant and self extinguishing. Limited resistant to mineral oils.	0.5 mm ² 0.75 mm ² 1 mm ²
P	PUR	Offer good resistance to oil and chemicals. Can swell when constantly immersed in water.	0.5 mm ² 0.75 mm ² 1 mm ²
A	PVC CSA-UL	Approved to CSA-UL 2661, application general purpose cable which has good resistance to water, but usually poor oil resistance.	20 AWG 18 AWG
B	PUR CSA-UL	Approved to CSA-UL 20668, very good resistance to oil and chemicals.	20 AWG 18 AWG

ORIGINAL RELEASE EC NO: IPG2016-0461 DRWN: JMARSZALEK 2013/09/03 CHKD: MSZWAJKOWSKI 2013/09/03 APPR: MIWASIECZKO 2015/09/28	QUALITY SYMBOLS ▽=0 ◻=0	GENERAL TOLERANCES (UNLESS SPECIFIED)	DIMENSION STYLE MM ONLY	SCALE 1:1	DESIGN UNITS METRIC	FIRST ANGLE PROJECTION	
		mm INCH 4 PLACES ± --- ± --- 3 PLACES ± --- ± --- 2 PLACES ± --- ± --- 1 PLACE ± --- ± --- 0 PLACE ± --- ± ---	DRAWN BY DATE JMARSZALEK 2013/09/03 CHECKED BY DATE MSZWAJKOWSKI 2013/09/03 APPROVED BY DATE MIWASIECZKO 2015/09/28	TITLE E461XXXXXXXXXX FORM INDUSTRIAL			
		ANGULAR ±---°	MATERIAL NO.	DOCUMENT NO.		SHEET NO.	
		DRAFT WHERE APPLICABLE MUST REMAIN WITHIN DIMENSIONS	SEE SHEET 2 & 4	SD-121050-008		3 OF 4	
			SIZE A3	THIS DRAWING CONTAINS INFORMATION THAT IS PROPRIETARY TO MOLEX INCORPORATED AND SHOULD NOT BE USED WITHOUT WRITTEN PERMISSION			

TABLE 3 - PART LIST

Molex PN:	Engineering No.:
1210500910	E46112N50021C4H
1210500911	E46114N10K21C4H
1210500914	E46114N20021C4H
1210500920	E46114N50021C4H
1210500923	E461N2N12K21C32
1210500941	E461P2N15021C42
1210501649	E46112N30061A12
1210501650	E46112N15061A12
1210501743	E46112N50061C4H
1210501775	E46112N10K61C4H
1210501776	E46112N10061C4H
1210501807	E46112N30061C4H
1210501843	E46112N20061A12
1210501870	E46112N30021A12
1210502047	E461N3N30021C42
1210502048	E461B3A1002PC4B
1210502067	E461P2N15021C4H
1210502229	E461P2N15061C4H
1210502252	E461N2N15021C42
1210502478	E461P2N10061C4H
1210502483	E461N3N50061C4H
1210502714	W461P2N15021C4H
1210502745	W461P2N1502PC4H
1210502969	W461P2N15061C4H
1210503207	E46114N30061A12
1210503208	E46114N50061A12
1210503209	E46114N10K61A12
1210503210	E46114N30061C42
1210503211	E46114N50061C42
1210503212	E46114N10K61C42
1210503289	E461N2N30021C4H
1210503303	E461N2N20021C4H
1210503436	E461N2N2002PC4H
1210503465	E46112N1506TC42

ORIGINAL RELEASE EC NO: IPG2016-0461 DRWN: JMARSZALEK 2013/09/03 CHKD: MSZWAJKOWSKI 2013/09/03 APPR: MIWASIECZKO 2015/09/28	DESCRIPTION REV	QUALITY SYMBOLS =0 =0	GENERAL TOLERANCES (UNLESS SPECIFIED) <table border="1"> <thead> <tr> <th></th> <th>mm</th> <th>INCH</th> </tr> </thead> <tbody> <tr> <td>4 PLACES</td> <td>± ---</td> <td>± ---</td> </tr> <tr> <td>3 PLACES</td> <td>± ---</td> <td>± ---</td> </tr> <tr> <td>2 PLACES</td> <td>± ---</td> <td>± ---</td> </tr> <tr> <td>1 PLACE</td> <td>± ---</td> <td>± ---</td> </tr> <tr> <td>0 PLACE</td> <td>± ---</td> <td>± ---</td> </tr> </tbody> </table>		mm	INCH	4 PLACES	± ---	± ---	3 PLACES	± ---	± ---	2 PLACES	± ---	± ---	1 PLACE	± ---	± ---	0 PLACE	± ---	± ---	DIMENSION STYLE MM ONLY	SCALE 1:1	DESIGN UNITS METRIC	FIRST ANGLE PROJECTION
			mm	INCH																					
		4 PLACES	± ---	± ---																					
		3 PLACES	± ---	± ---																					
2 PLACES	± ---	± ---																							
1 PLACE	± ---	± ---																							
0 PLACE	± ---	± ---																							
		DRAFT WHERE APPLICABLE MUST REMAIN WITHIN DIMENSIONS	DRAWN BY: JMARSZALEK CHECKED BY: MSZWAJKOWSKI APPROVED BY: MIWASIECZKO	DATE: 2013/09/03 DATE: 2013/09/03 DATE: 2015/09/28	TITLE E461XXXXXXXXXX FORM INDUSTRIAL																				
			MATERIAL NO. SEE TABLE 3	DOCUMENT NO. SD-121050-008			SHEET NO. 4 OF 4																		
			SIZE A3	THIS DRAWING CONTAINS INFORMATION THAT IS PROPRIETARY TO MOLEX INCORPORATED AND SHOULD NOT BE USED WITHOUT WRITTEN PERMISSION																					