

BS EN/EN60335-1 ANSI/AAMI ES60601-1 BS EN/EN60601-1 IEC60601-1 TPTC004

Features

- 1.93"x0.94" compact size
- Medical safety approved (2 x MOPP) according to ANSI/AAMI ES60601-1 and IEC/BS EN/EN60601-1
- Suitable for BF application with appropriate system consideration
- No load power consumption < 0.1W
- Extremely low leakage current
- Wide operating temp. range -35 ~ +85°C
- EMI class B for class II configuration
- Protections:
Short circuit / Overload / Over voltage / Over temperature
- No minimum load required
- 3 years warranty

Applications

- Portable medical device
- Mobile clinical workstation
- Medical computer monitor
- Medical examination instrument

GTIN CODE

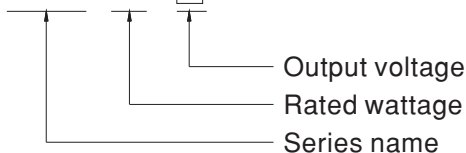
MW Search : <https://www.meanwell.com/serviceGTIN.aspx>

Description

MFM-20 is a 20W high density and small size (49*23.8*23mm) AC/DC on board type medical power supply series. It features the operation for 80~264VAC, a low no load power consumption less than 0.1W , a high efficiency up to 87%, Class II (no FG) double insulation, outstanding dissipation, 5G anti-vibration, high EMC performance, 4KVAC isolation, etc. The design observes IEC/BS EN/EN60601-1 and ANSI/AAMI ES60601-1 version three with 2xMOPP level and ultra-low leakage current(<80 μA). It is very suitable for BF (patient contact) type medical device or relevant equipment.

Model Encoding

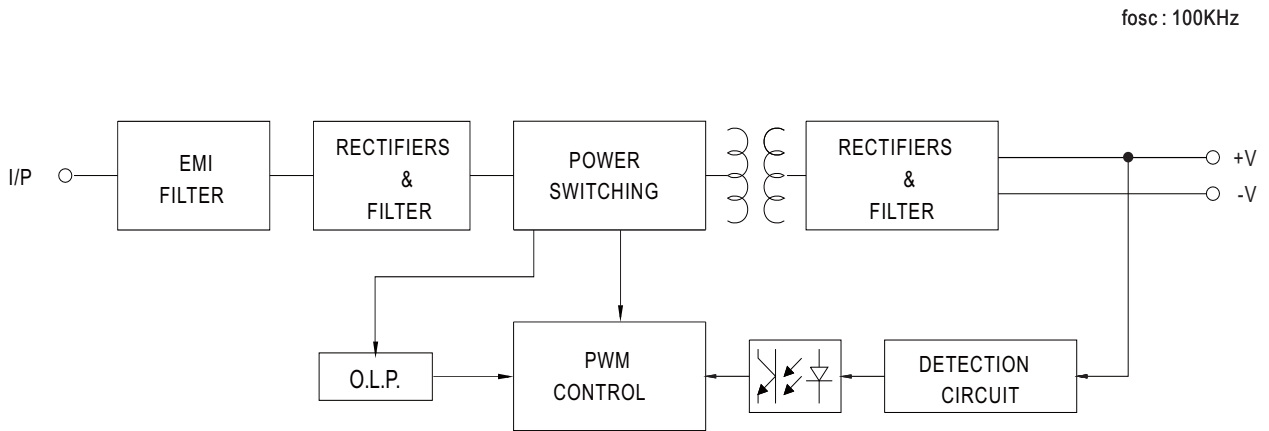
MFM - 20 - 5



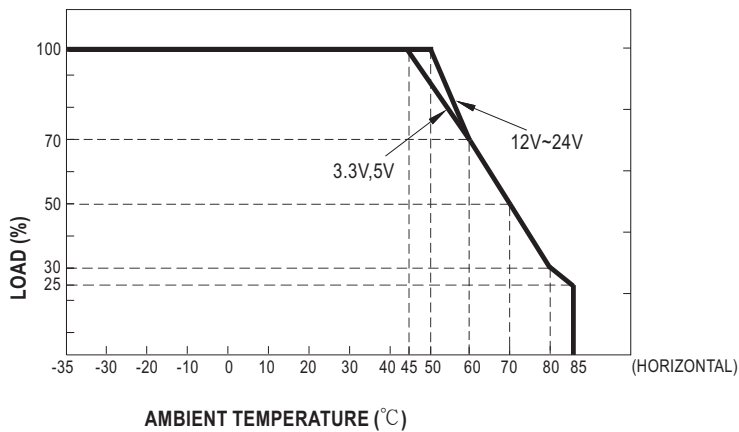
SPECIFICATION

| MODEL | MFM-20-3.3 | MFM-20-5 | MFM-20-12 | MFM-20-15 | MFM-20-24 | | |
|--------------------------------------|---|---|-------------------------|--|------------------------|--|--|
| OUTPUT | DC VOLTAGE | 3.3V | 5V | 12V | 15V | 24V | |
| | RATED CURRENT | 4.5A | 4A | 1.8A | 1.4A | 0.9A | |
| | CURRENT RANGE <small>Note.2</small> | 0 ~ 4.5A | 0 ~ 4A | 0 ~ 1.8A | 0 ~ 1.4A | 0 ~ 0.9A | |
| | PEAK CURRENT | 4.95A | 4.4A | 1.98A | 1.54A | 0.99A | |
| | RATED POWER | 14.9W | 20W | 21.6W | 21W | 21.6W | |
| | PEAK LOAD(10sec.) <small>Note.3</small> | 16.3W | 22W | 23.8W | 23.1W | 23.8W | |
| | RIPPLE & NOISE (max.) <small>Note.4</small> | 150mVp-p | 150mVp-p | 150mVp-p | 180mVp-p | 180mVp-p | |
| | VOLTAGE TOLERANCE <small>Note.5</small> | ±2.0% | ±2.0% | ±2.0% | ±2.0% | ±2.0% | |
| | LINE REGULATION | ±0.5% | ±0.5% | ±0.3% | ±0.3% | ±0.3% | |
| | LOAD REGULATION | ±0.5% | ±0.5% | ±0.5% | ±0.5% | ±0.5% | |
| | SETUP, RISE TIME | 1500ms, 30ms/230VAC 1500ms, 30ms/115VAC at full load | | | | | |
| HOLD UP TIME (Typ.) | 40ms/230VAC 10ms/115VAC at full load | | | | | | |
| INPUT | VOLTAGE RANGE <small>Note.6</small> | 80 ~ 264VAC | | | | | |
| | FREQUENCY RANGE | 47 ~ 440Hz | | | | | |
| | EFFICIENCY (Typ.) | 81% | 85% | 85.5% | 87% | 87% | |
| | AC CURRENT (Typ.) | 0.75A/115VAC 0.5A/230VAC | | | | | |
| | INRUSH CURRENT (Typ.) | COLD START 20A/115VAC 45A/230VAC | | | | | |
| | LEAKAGE CURRENT (max.) <small>Note.7</small> | Touch current <80μA/264VAC | | | | | |
| PROTECTION | OVERLOAD | 110% ~ 150% rated output power Protection type : Hiccup mode, recovers automatically after fault condition is removed | | | | | |
| | OVER VOLTAGE | 3.8 ~ 5V | 5.8 ~ 6.8V | 13.8 ~ 16.2V | 17.3 ~ 20.3V | 27.6 ~ 32.4V | |
| | | Protection type : Shut off o/p voltage, clamping by zener diode | | | | | |
| | OVER TEMPERATURE | Protection type : Shut down o/p voltage, recovers automatically after temperature goes down | | | | | |
| ENVIRONMENT | WORKING TEMP. | -35 ~ +85°C (Refer to "Derating Curve") | | | | | |
| | WORKING HUMIDITY | 20 ~ 90% RH non-condensing | | | | | |
| | STORAGE TEMP., HUMIDITY | -40 ~ +85°C, 10 ~ 95% RH non-condensing | | | | | |
| | TEMP. COEFFICIENT | ±0.03%/°C (0 ~ 50°C) | | | | | |
| | SOLDERING TEMPERATURE | Wave soldering: 265°C, 5s (max.); Manual soldering: 390°C, 3s (max.) | | | | | |
| | VIBRATION | 10 ~ 500Hz, 5G 10min./1cycle, period for 60min. each along X, Y, Z axes | | | | | |
| | OPERATING ALTITUDE <small>Note.8</small> | 5000 meters | | | | | |
| SAFETY & EMC <small>(Note.9)</small> | SAFETY STANDARDS | IEC60601-1, TUV BS EN/EN60601-1, IEC60335-1, Dekra BS EN/EN60335-1, EAC TP TC 004, UL ANSI/AAMI ES60601-1 (3.1 version), CAN/CSA-C22 3 rd Edition approved | | | | | |
| | ISOLATION LEVEL | Primary-Secondary: 2xMOPP | | | | | |
| | WITHSTAND VOLTAGE | I/P-O/P:4KVAC | | | | | |
| | ISOLATION RESISTANCE | I/P-O/P:100M Ohms / 500VDC / 25°C / 70% RH | | | | | |
| | EMC EMISSION | Parameter | Standard | | | Test Level / Note | |
| | | Conducted emission | BS EN/EN55011 (CISPR11) | | | Class B | |
| | | Radiated emission | BS EN/EN55011 (CISPR11) | | | Class B | |
| | | Harmonic current | BS EN/EN61000-3-2 | | | Class A | |
| | | Voltage flicker | BS EN/EN61000-3-3 | | | ---- | |
| | EMC IMMUNITY | BS EN/EN55035, BS EN/EN60601-1-2 | | | | | |
| | | Parameter | Standard | | | Test Level / Note | |
| | | ESD | BS EN/EN61000-4-2 | | | Level 4, 15KV air ; Level 4, 8KV contact | |
| | | RF field susceptibility | BS EN/EN61000-4-3 | | | Level 3, 10V/m(80MHz~2.7GHz) Table 9, 9~28V/m(385MHz~5.78GHz) | |
| | | EFT bursts | BS EN/EN61000-4-4 | | | Level 3, 2KV | |
| Surge susceptibility | | BS EN/EN61000-4-5 | | | Level 3, 1KV/Line-Line | | |
| Conducted susceptibility | | BS EN/EN61000-4-6 | | | Level 3, 10V | | |
| Magnetic field immunity | | BS EN/EN61000-4-8 | | | Level 4, 30A/m | | |
| Voltage dip, interruption | BS EN/EN61000-4-11 | | | 100% dip 1 periods, 30% dip 25 periods, 100% interruptions 250 periods | | | |
| OTHERS | MTBF | 7319.8K hrs min. Telcordia SR-332 (Bellcore) ; 1210.1K hrs min. MIL-HDBK-217F (25°C) | | | | | |
| | DIMENSION | 49*23.8*23mm (L*W*H) or 1.93 ""*0.94""*0.91"" inch | | | | | |
| | PACKING | 0.028Kg; 200pcs/6.6Kg/0.94CUFT | | | | | |
| NOTE | <p>1. All parameters NOT specially mentioned are measured at 230VAC input, rated load and 25°C of ambient temperature.</p> <p>2. No minimum load required.</p> <p>3. 33% Duty cycle maximum within every 30 seconds. Average output power should not exceed the rated power.</p> <p>4. Ripple & noise are measured at 20MHz of bandwidth by using a 12" twisted pair-wire terminated with a 0.1 μf & 47 μf parallel capacitor.</p> <p>5. Tolerance : includes set up tolerance, line regulation and load regulation.</p> <p>6. Derating may be needed under low input voltages. Please check the derating curve for more details.</p> <p>7. Touch current was measured from primary input to DC output.</p> <p>8. The ambient temperature derating of 3.5°C/1000m with fanless models and of 5°C/1000m with fan models for operating altitude higher than 2000m(6500ft).</p> <p>9. The power supply is considered a component which will be installed into a final equipment. The final equipment must be re-confirmed that it still meets EMC directives. For guidance on how to perform these EMC tests, please refer to "EMI testing of component power supplies." (as available on http://www.meanwell.com)</p> <p>※ Product Liability Disclaimer : For detailed information, please refer to https://www.meanwell.com/serviceDisclaimer.aspx</p> | | | | | | |

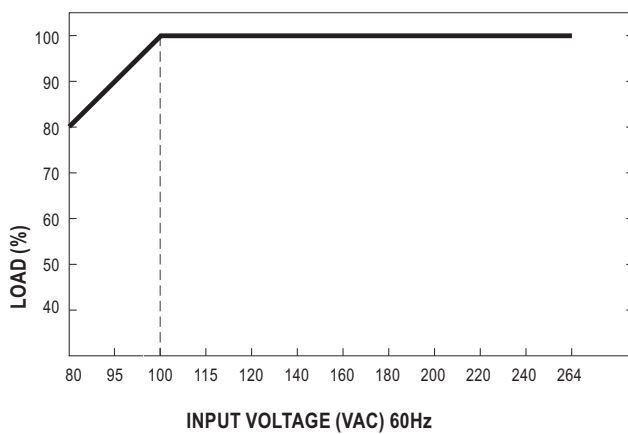
Block Diagram



Derating Curve

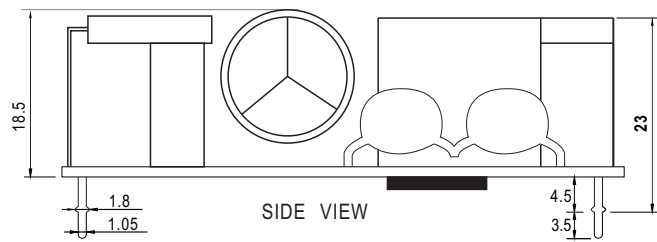
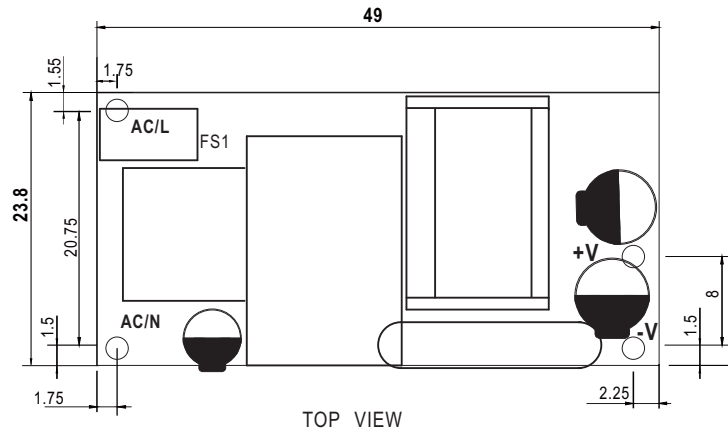


Output Derating VS Input Voltage



■ **Mechanical Specification**

Unit:inch(mm)



■ **Installation Manual**

Please refer to : <http://www.meanwell.com/manual.html>