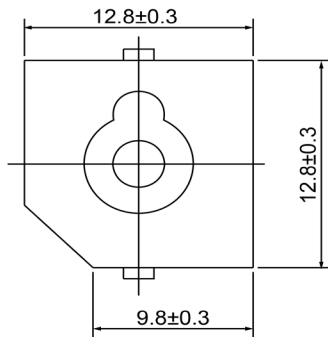
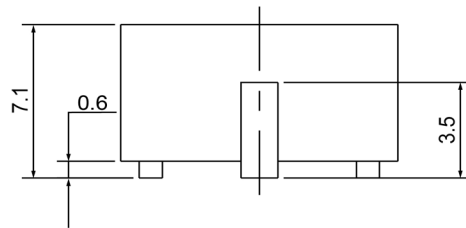


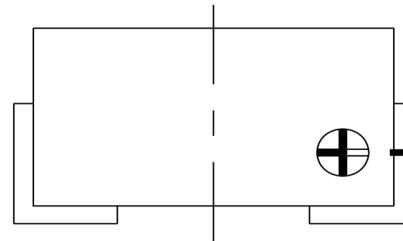
TOP VIEW



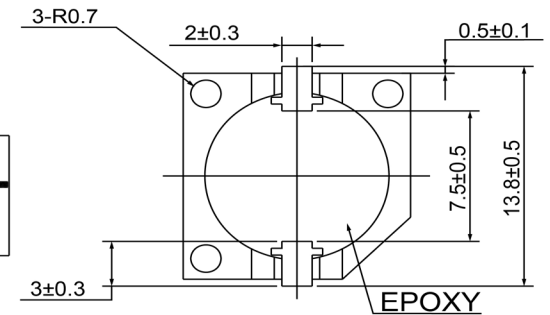
SIDE VIEW (1)




SIDE VIEW (2)



BOTTOM VIEW



Specifications			Notes	Revision History					
Description	Value	Unit		Version	Description	Date	Approved		
Technology	Electro-Mechanical		1) All dimensions are in mm unless otherwise noted 2) All parts meet RoHS 	1	Released from Engineering	10/21/2013	J.S		
Resonant Frequency	2,400	(Hz)							
Rated Voltage	1.5	(V)							
SPL @ 10cm	80	(dBA)							
Coil Resistance	15	(ohm)							
Mount Type	Surface Mount								
Voltage Range	1 ~ 3	(V)							
Max Rated Current	30	(mA)							
Housing Material	PPS								
Operating Temperature	-30 ~ +70	°C							
Storage Temperature	-40 ~ +85	°C							
Weight	2	(g)							
				Electro-Mechanical Transducer		TE122401-3			
				Drawn by A.B.	Date 10/21/2013	Checked by C.E.	Date 10/21/2013	Approved by J.S	Date 10/21/2013