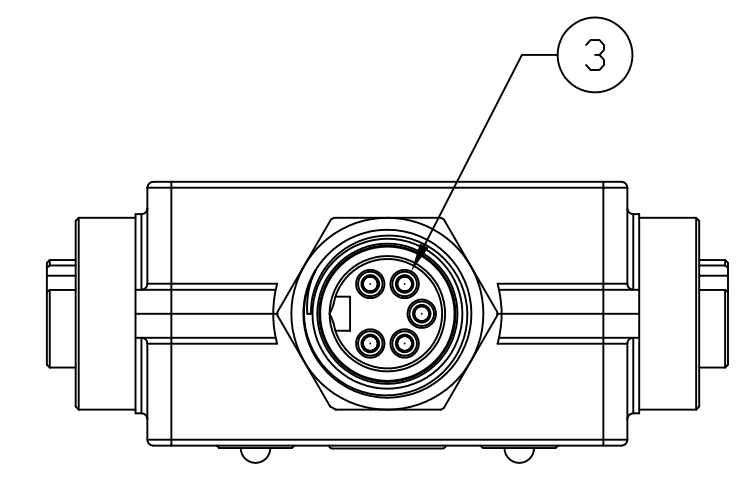


| MATERIAL NUMBER | OLD PART NUMBER |
|-----------------|-----------------|
| 130036-0001 | DN8200SS8 |



SCHEMATIC

J10
SHIELD
+V
-V
+BUS
-BUS

PIN 1
PIN 2
PIN 3
PIN 4
PIN 5

J1
PIN 1 SHIELD
PIN 2 +V
PIN 3 -V
PIN 4 +BUS
PIN 5 -BUS

J3
PIN 1 SHIELD
PIN 2 +V
PIN 3 -V
PIN 4 +BUS
PIN 5 -BUS

J5
PIN 1 SHIELD
PIN 2 +V
PIN 3 -V
PIN 4 +BUS
PIN 5 -BUS

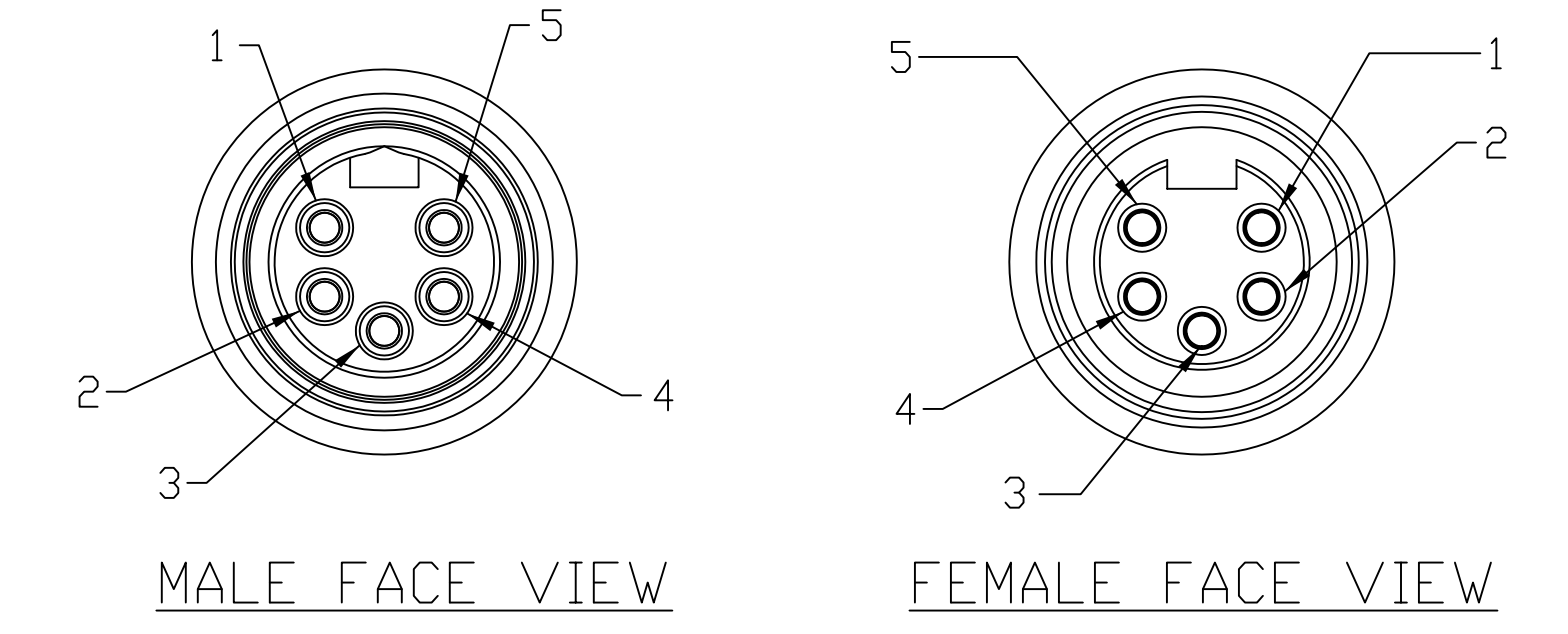
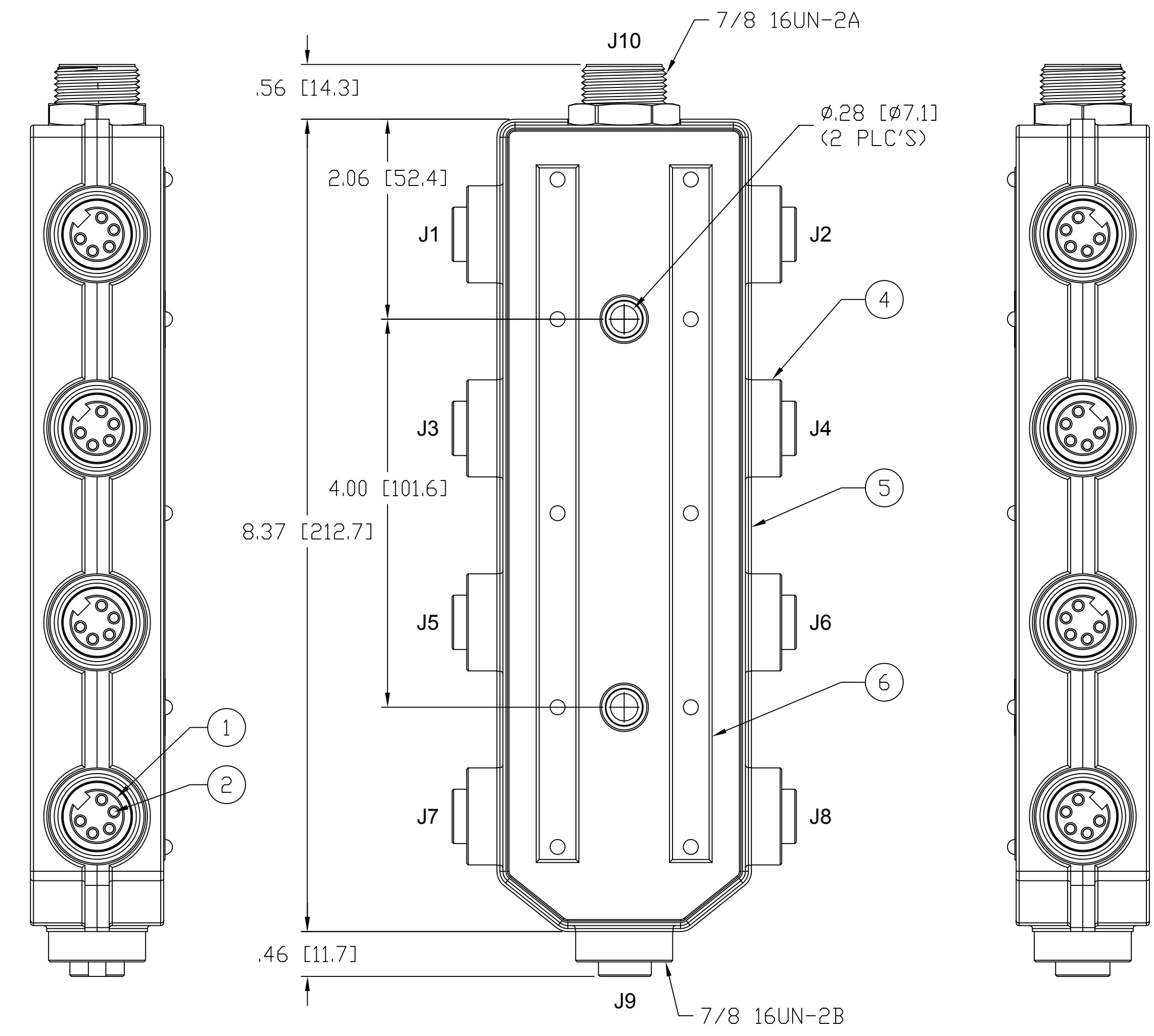
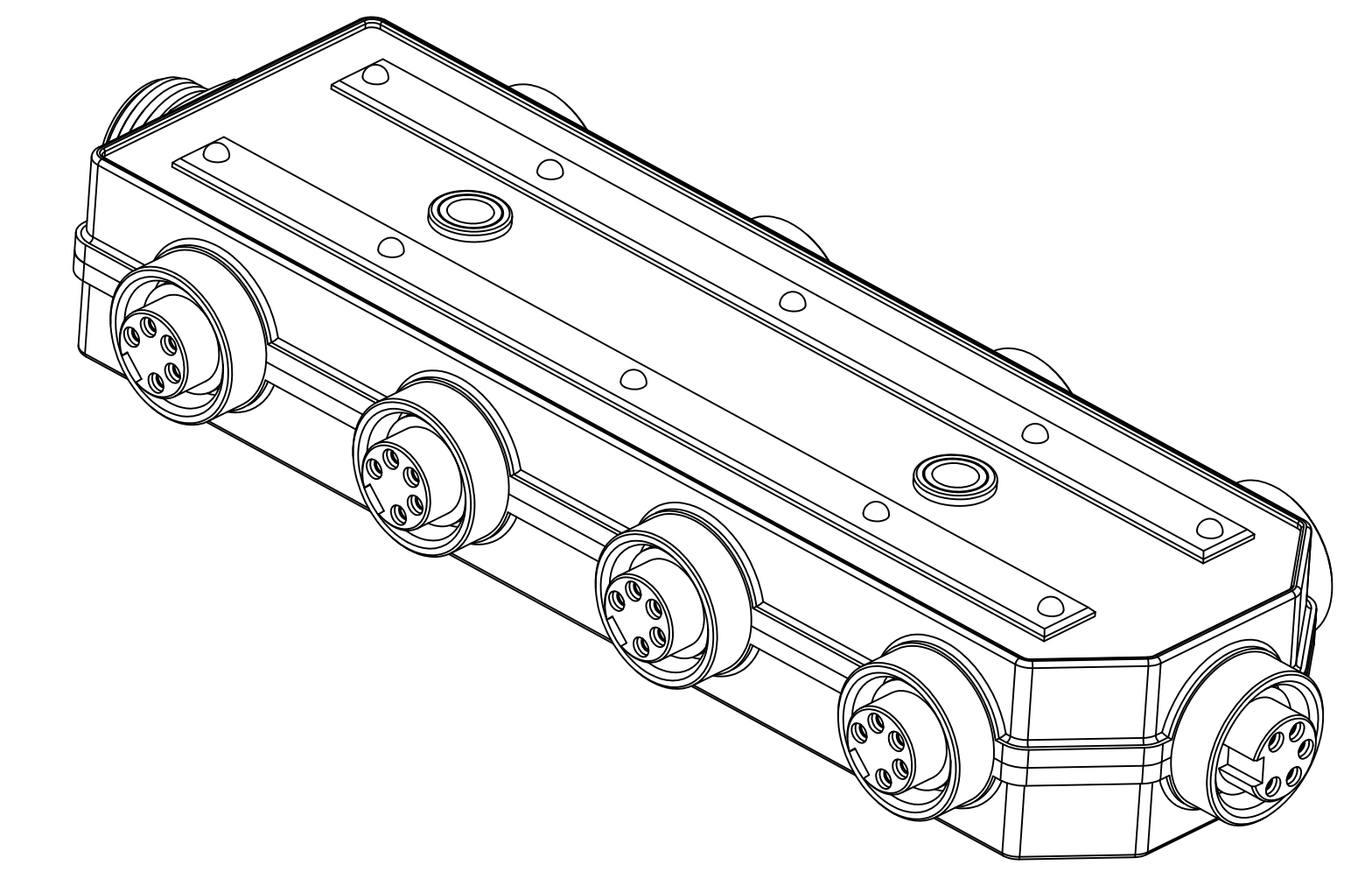
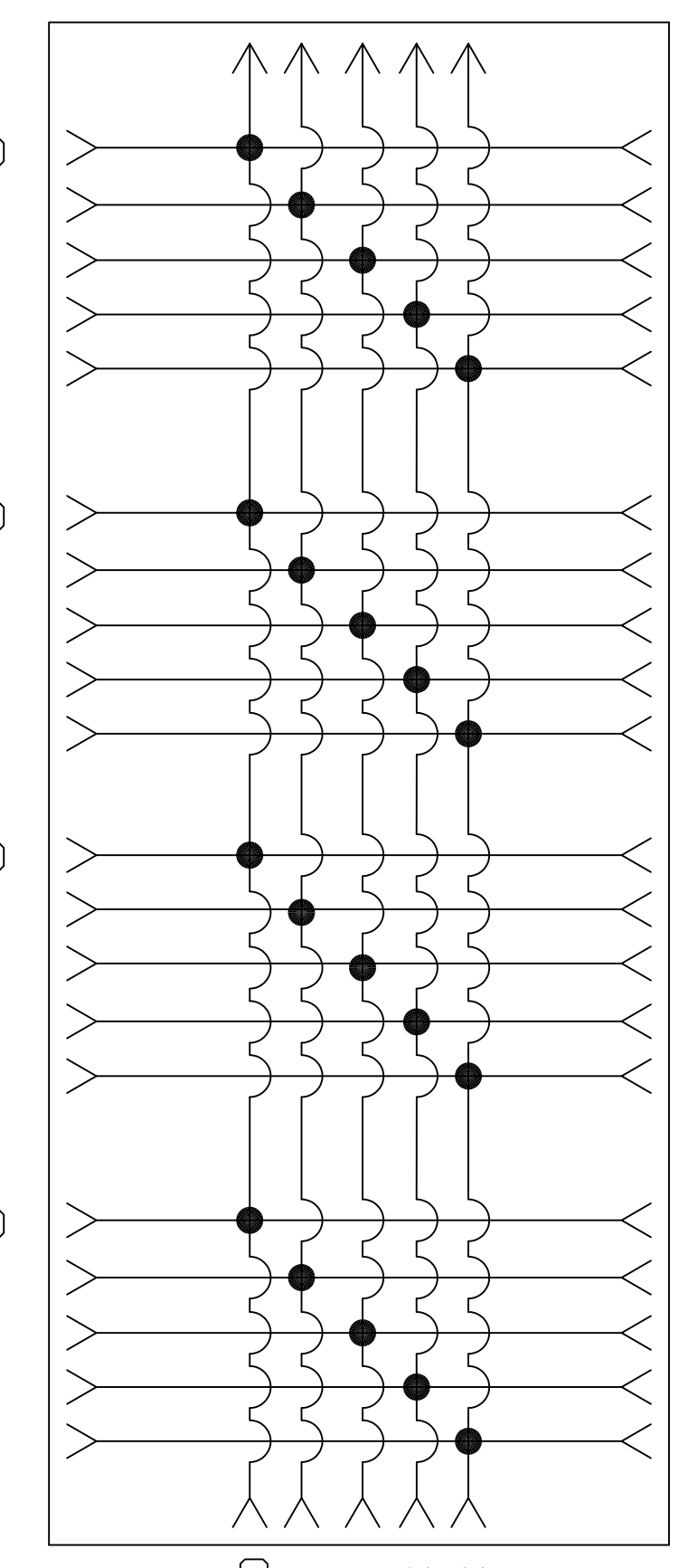
J7
PIN 1 SHIELD
PIN 2 +V
PIN 3 -V
PIN 4 +BUS
PIN 5 -BUS

J2
PIN 1 SHIELD
PIN 2 +V
PIN 3 -V
PIN 4 +BUS
PIN 5 -BUS

J4
PIN 1 SHIELD
PIN 2 +V
PIN 3 -V
PIN 4 +BUS
PIN 5 -BUS

J6
PIN 1 SHIELD
PIN 2 +V
PIN 3 -V
PIN 4 +BUS
PIN 5 -BUS

J8
PIN 1 SHIELD
PIN 2 +V
PIN 3 -V
PIN 4 +BUS
PIN 5 -BUS



| | |
|-----------------------|-------------|
| VOLTAGE RATING | 600 VAC/VDC |
| AMPERAGE RATING | 7 AMPS |
| PROTECTION | IP67 |
| OPERATING TEMPERATURE | 0°C TO 60°C |

| ITEM | COMPONENT | MATERIAL | FINISH |
|------|------------------|---------------------|------------------|
| 1 | INSERT | TPE | GRAY |
| 2 | CONTACT SOCKET | COPPER ALLOY | GOLD OVER NICKEL |
| 3 | CONTACT PIN | COPPER ALLOY | GOLD OVER NICKEL |
| 4 | RECEPTACLE SHELL | 316 STAINLESS STEEL | PASSIVATED |
| 5 | HOUSING | PBT | GRAY |
| 6 | LABEL | ABS | WHITE |
| | POTTING MATERIAL | EPOXY | TRANSLUCENT |

| | | | | | | | | | |
|--|------------------------------|--|------|---------------------|------|---|--------------|------------------------|-------|
| RELEASED EC NO: WNA2010-0453 DRWN: KJOZWIK 2010/01/22 CHKD: BWOODMAN APPR: JFMURPHY 2010/01/29 | QUALITY SYMBOL ▽=0 ▽=0 | GENERAL TOLERANCES (UNLESS SPECIFIED) | | DIMENSION STYLE | | SCALE | DESIGN UNITS | THIRD ANGLE PROJECTION | |
| | | | | IN/MM | | 1:1 | INCH | | |
| | | 4 PLACES | ±--- | mm | INCH | DRAWN BY DATE | | | TITLE |
| | | 3 PLACES | ±--- | | | KJOZWIK 2010/01/22 | | | |
| 2 PLACES | ±0.13 | | | CHECKED BY DATE | | MOLEX INCORPORATED SD-130036-011 | | | |
| 1 PLACE | ±0.25 | | | BWOODMAN 2010/01/22 | | | | | |
| | | ANGULAR ±1/2° | | APPROVED BY DATE | | DOCUMENT NO. | | | |
| | | DRAFT WHERE APPLICABLE MUST REMAIN WITHIN DIMENSIONS | | JFMURPHY 2010/01/29 | | SHEET NO. | | | |
| | | | | MATERIAL NO. | | 1 OF 1 | | | |
| | | | | SEE TABLE | | THIS DRAWING CONTAINS INFORMATION THAT IS PROPRIETARY TO MOLEX INCORPORATED AND SHOULD NOT BE USED WITHOUT WRITTEN PERMISSION | | | |