



4700 MHz Ceramic Bandpass Filter

ANATECH ELECTRONICS INC
RF & Microwave Filters & Products

Part Number: AM4700B1426



Electrical specifications

Center Frequency: 4700 MHz
Bandwidth: 600 MHz
VSWR: 1.7 : 1 dB max
Input / Output Impedance: 50 Ohms
Passband: 4400-5000 MHz
Passband Insertion Loss: 1.2 dB max
Passband Ripple: 0.5 dB max
Rejection: 30 dB min at 4050 MHz
Rejection 2: 30 dB min at 5350 MHz
Power Handling: 15 dBm max

Mechanical

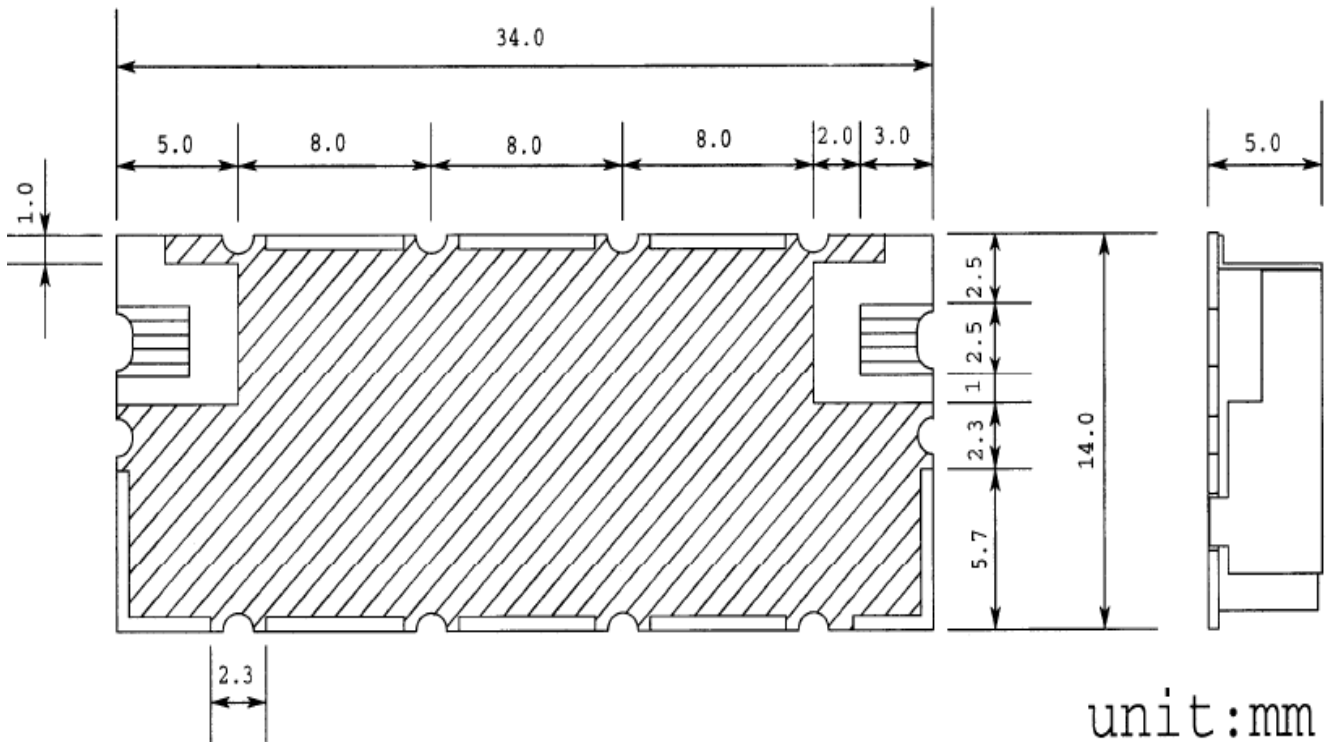
Mounting Method: SMT
Dimensions: 34 x 14 x 5 mm

Environmental

Operating Temperature: -10 C to 655 C
Storage Temperature: -50 C to +90 C

This product is RoHs compliant.

Outline Drawing:





4700 MHz Ceramic Bandpass Filter

ANATECH ELECTRONICS INC
RF & Microwave Filters & Products

Part Number: AM4700B1426



Response Plot:

