

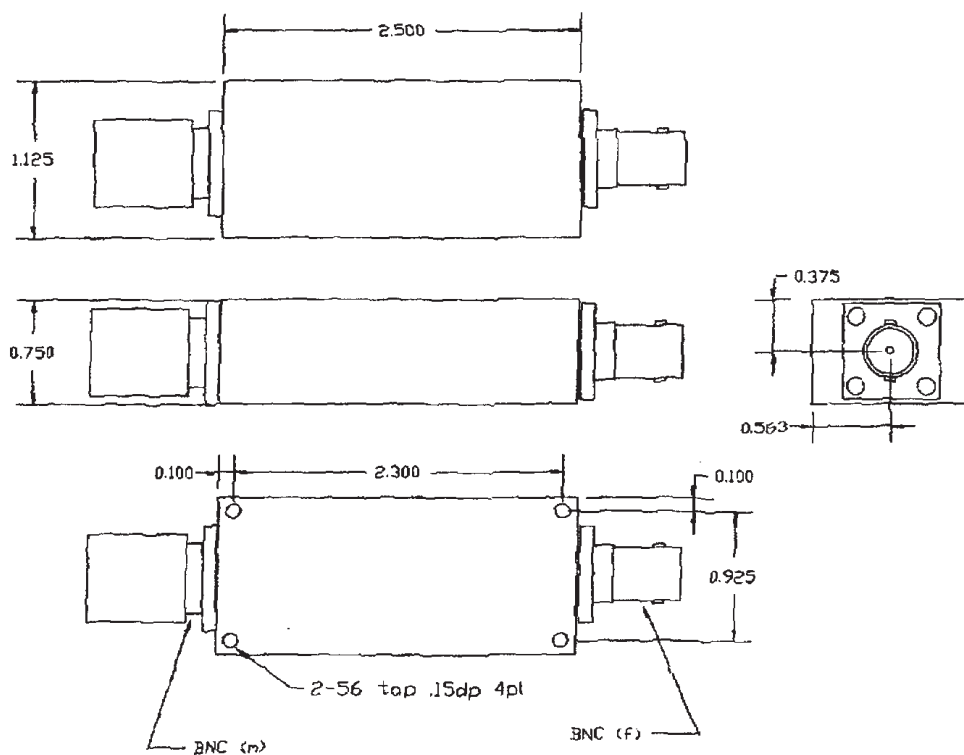


1.5 MHz Highpass Filter

Part Number: AE1.5H9786

3 dB Cut-Off Frequency: 1.5 MHz
Insertion Loss @ 3 MHz: <0.5dB
Return Loss in Passband: >15dB
Rejection @ 568 KHz: 51 dB typ.
Dimensions: 2.5 x 1.125 x 0.75 inches

Outline Drawing:



DWG 988721 ajs 05/07/07
Outline Drawing
Anatech
(988731)



ANATECH ELECTRONICS, INC.

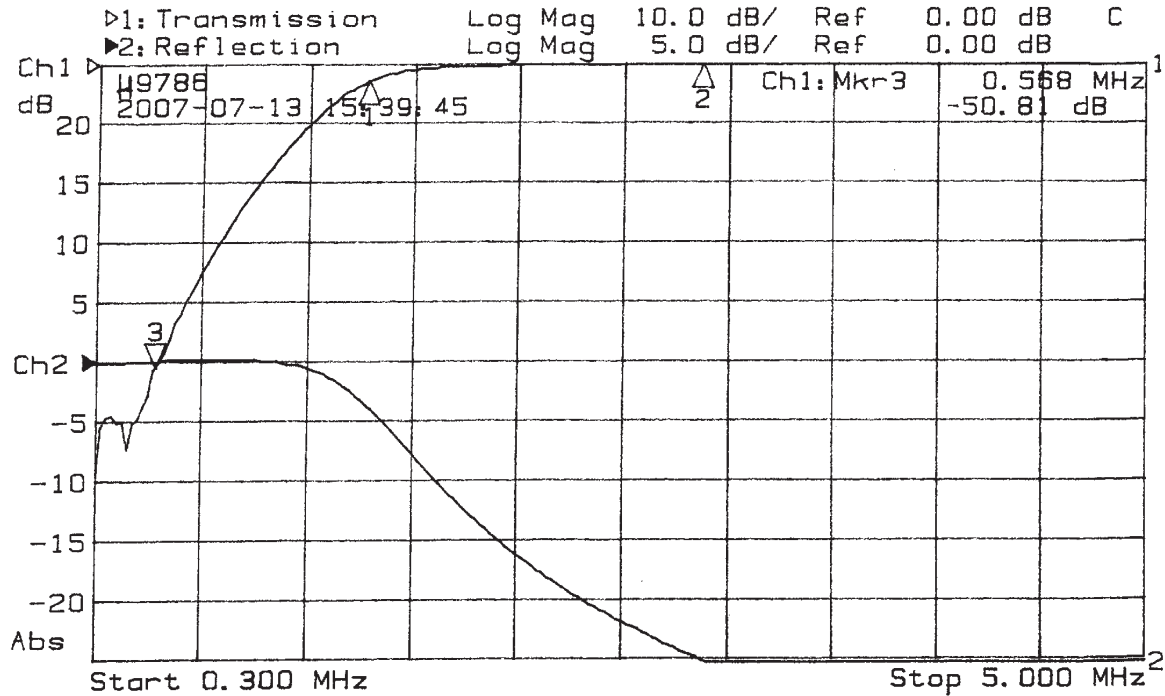
Manufacturer of RF & Microwave Filters and Products



1.5 MHz Highpass Filter

Part Number: AE1.5H9786

Response Plot:



1: Mkr (MHz)	dB	2: Mkr (MHz)	dB
1:	1.50		-2.84
2:	3.00		-0.07
3>	0.57		-50.81

