

# IS32SE5120

## 24-CH PROGRAMMABLE CAPACITIVE TOUCH SENSOR

September 2022

### GENERAL DESCRIPTION

IS32SE5120 is an ultra-low-power, 24-channel capacitive touch controller. The controller allows sleep mode (under 10uA) and uses auto-detection for wakeup. It also provides a shield output to increase moisture immunity. The built-in hardware monitor and calibration for the environment is to prevent false triggers.

A host MCU is required to communicate with IS32SE5120. An on-chip I<sup>2</sup>C slave controller with 400kHz capability serves as the communication port for the host MCU. An interrupt, INT, can be configured and it is generated when a touch trigger event occurs. The trigger event can be configured by setting the interrupt register. IS32SE5120 can support proximity sensing.

IS32SE5120 is available in the WQFN-32 package. It operates from 2.3V to 5.5V over the temperature range from -40°C to +125°C.

### FEATURES

- 24-channel capacitive touch controller with readable key value
- Touch-related threshold settings for individual key
- Optional multiple-key function
- GPIO toggle/invert function
- Automatic calibration
- Individual key calibration
- Interrupt output with auto-clear and repeating
- Auto sleep mode for extremely low power
- Keys wake up from sleep mode
- Shield output shared with touch key channels
- Buzzer/Melody Generator shared with touch key channels
- 400kHz fast-mode I<sup>2</sup>C interface
- Operating temperature between -40°C ~ +125°C
- Wettable flank QFN-32 (WQFN-32)
- ROHS & Halogen-Free compliant package
- AEC-Q100 qualification

### APPLICATIONS

- Touch keys for home appliances
- Touch keys for automotive & industrial control

### TYPICAL APPLICATION CIRCUIT (WQFN-32)

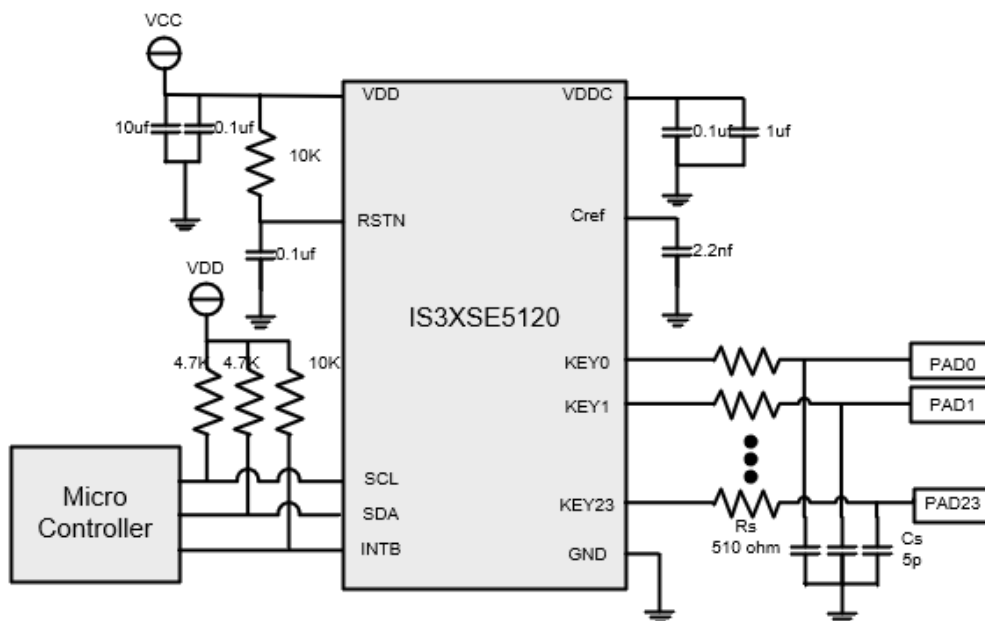


Figure 1 Typical Application Circuit (WQFN-32)

# IS32SE5120

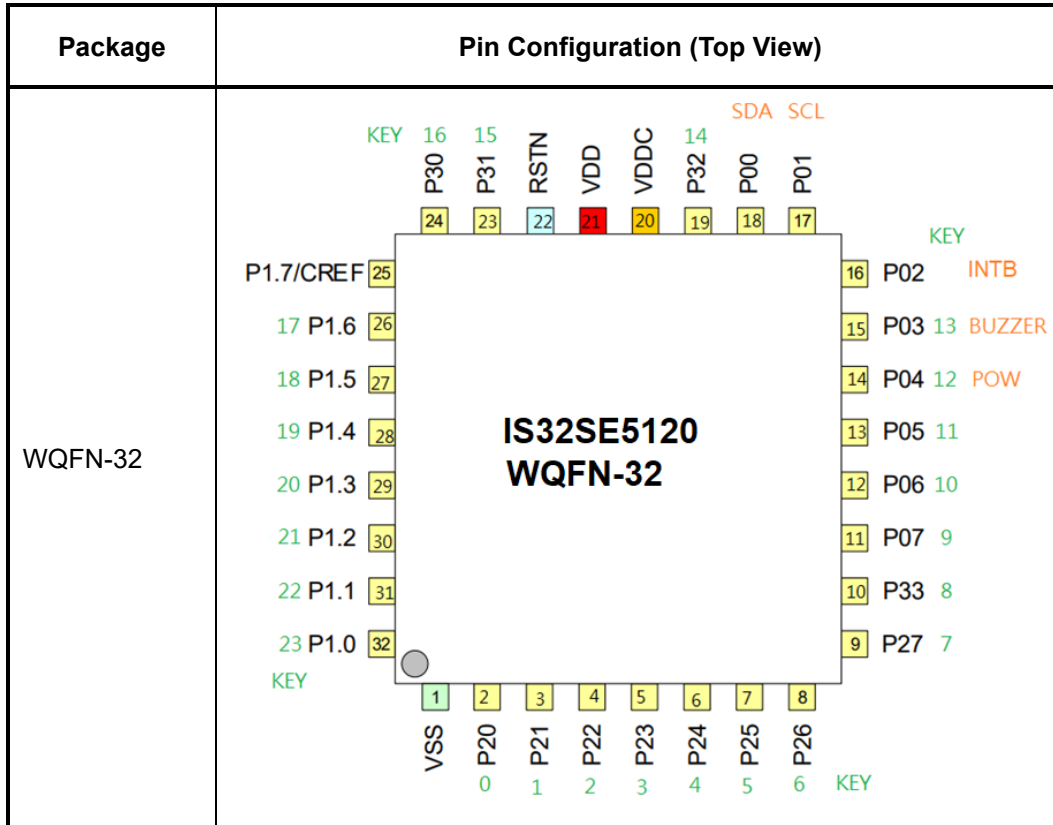
**Note 1:** The IC should be placed far away from the noise source in order to prevent EMS.

**Note 2:** The  $R_S$  and  $C_S$  should be placed as close to IC as possible to reduce EMI.

**Note 3:** The capacitors connected to VDD and VDDC should be as close to the chip as possible to reduce EMI.

**Note 4:** The capacitor 1uf connected to VDDC might need to be removed for quick VDD rising time application.

## PIN CONFIGURATION



## PIN DESCRIPTION

No.	Pin	Description
1	VSS	Ground
2 - 13	KEY0 – KEY11	Input sense channels 0 – 11
14	KEY12/POW	Multiple function key. Can be configured to input sense channel 12, or Melody power control.
15	KEY13/Buzzer	Multiple function key. Can be configured to input sense channel 13, or Buzzer output.
16	INTB	Interrupt output (active low)
17	SCL	I2C serial clock
18	SDA	I2C serial data
19	KEY14	Input sense channel 14
20	VDDC	Internal 1.5V power supply. Typical decoupling capacitors of 0.1µF and 1µF should be added between VDDC and GND.
21	VDD	Power supply
22	RSTN	Reset signal and Low Active

# IS32SE5120

23 - 24	KEY15 – KEY16	Input sense channels 15 - 16
25	Cref	External reference Capacitor for touch sense
26 - 32	KEY17 – KEY23	Input sense channels 17 - 23

## ORDERING INFORMATION

**Industrial Range: -40°C to +125°C**

Order Part No.	Package	QTY
IS32SE5120-QWLA3-TR	WQFN-32, Lead-free	2500/Reel

Copyright © 2020-2022 Integrated Silicon Solution, Inc. All rights reserved. ISSI reserves the right to make changes to this specification and its products at any time without notice. ISSI assumes no liability arising out of the application or use of any information, products or services described herein. Customers are advised to obtain the latest version of this device specification before relying on any published information and before placing orders for products.

Integrated Silicon Solution, Inc. does not recommend the use of any of its products in life support applications where the failure or malfunction of the product can reasonably be expected to cause failure of the life support system or to significantly affect its safety or effectiveness. Products are not authorized for use in such applications unless Integrated Silicon Solution, Inc. receives written assurance to its satisfaction, that:

- a.) the risk of injury or damage has been minimized;
- b.) the user assumes all such risks; and
- c.) potential liability of Integrated Silicon Solution, Inc is adequately protected under the circumstances

# IS32SE5120

## ABSOLUTE MAXIMUM RATINGS

Supply voltage, $V_{DD}$	-0.3V ~ +6.0V
Voltage at any input pin	-0.3V ~ $V_{DD}+0.3V$
Maximum junction temperature, $T_{JMAX}$	+150°C
Storage temperature range, $T_{STG}$	-65°C ~ +150°C
Operating temperature range, $T_A=T_J$	-40°C ~ +125°C
Junction Package thermal resistance, junction to ambient (4 layer standard test PCB based on JESD 51-2A), $\theta_{JA}(WQFN-32)$	37.6°C/W
ESD (HBM)	±2kV
ESD (CDM)	±750V

**Note 5:** Stresses beyond those listed under “Absolute Maximum Ratings” may cause permanent damage to the device. These are stress ratings only and functional operation of the device at these or any other condition beyond those indicated in the operational sections of the specifications is not implied. Exposure to absolute maximum rating conditions for extended periods may affect device reliability.

## ELECTRICAL CHARACTERISTICS

$T_A = 25^\circ\text{C}$ ,  $V_{DD} = 2.3V \sim 5.5V$ , unless otherwise noted. Typical values are  $T_A = 25^\circ\text{C}$ ,  $V_{DD} = 3.6V$ .

Symbol	Parameter	Condition	Min.	Typ.	Max.	Unit
$V_{DD}$	Supply voltage		2.3		5.5	V
$I_{DD}$	IDD core current per frequency	$V_{DD} = 5.5V$		150		$\mu\text{A}/\text{Mhz}$
$I_{DD \text{ sleep}}$	IDD, sleep mode, 25°C	$V_{DD} = 5.5V$		1.5	5	$\mu\text{A}$
	IDD, sleep mode, 85°C	$V_{DD} = 5.5V$		4	10	$\mu\text{A}$
	IDD, sleep mode, 125°C	$V_{DD} = 5.5V$		15	40	$\mu\text{A}$

### Logic Electrical Characteristics

$V_{IL}$	Logic “0” input voltage				$1/4V_{DD}$	V
$V_{IH}$	Logic “1” input voltage		$3/4V_{DD}$			V

### DIGITAL INPUT SWITCHING CHARACTERISTICS (Note 6)

Symbol	Parameter	Condition	Min.	Typ.	Max.	Unit
$f_{SCL}$	Serial-Clock frequency				400	kHz
$t_{BUF}$	Bus free time between a STOP and a START condition		1.3			$\mu\text{s}$
$t_{HD, STA}$	Hold time (repeated) START condition		0.6			$\mu\text{s}$
$t_{SU, STA}$	Repeated START condition setup time		0.6			$\mu\text{s}$
$t_{SU, STO}$	STOP condition setup time		0.6			$\mu\text{s}$
$t_{HD, DAT}$	Data hold time				0.9	$\mu\text{s}$
$t_{SU, DAT}$	Data setup time		100			ns
$t_{LOW}$	SCL clock low period		1.3			$\mu\text{s}$
$t_{HIGH}$	SCL clock high period		0.7			$\mu\text{s}$
$t_R$	Rise time of both SDA and SCL signals.	(Note 7)		$20+0.1C_b$	300	ns
$t_F$	Fall time of both SDA and SCL signals.	(Note 7)		$20+0.1C_b$	300	ns

**Note 6:** Guaranteed by design.

**Note 7:**  $C_b$  = total capacitance of one bus line in pF.  $I_{SINK} \leq 6\text{mA}$ .  $t_R$  and  $t_F$  measured between  $0.3 \times V_{DD}$  and  $0.7 \times V_{DD}$ .

# IS32SE5120

## FUNCTION BLOCK DIAGRAM

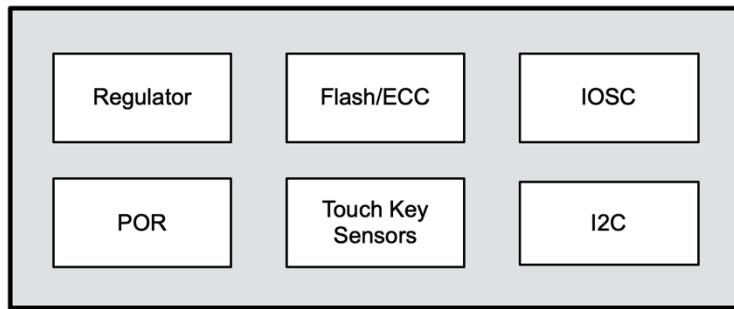


Figure 2: Function Block Diagram

### Basic introduction for touch sense data process flow

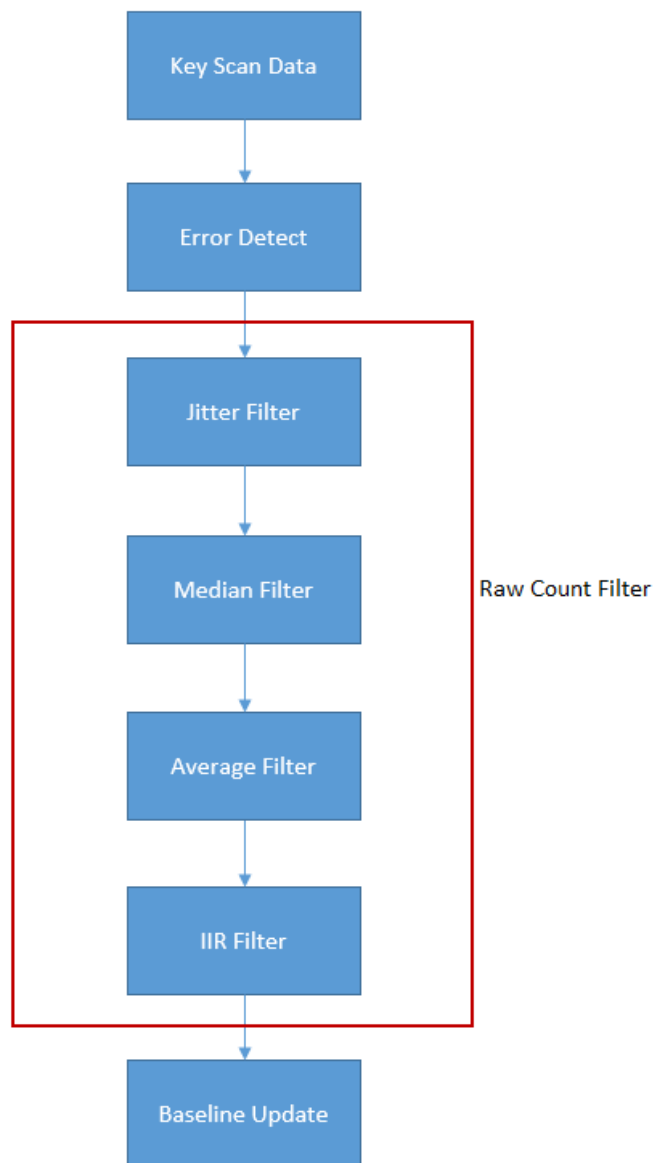


Figure 3: Touch Sense Data Process Flow

# IS32SE5120

## Baseline process based on the difference between baseline and raw count

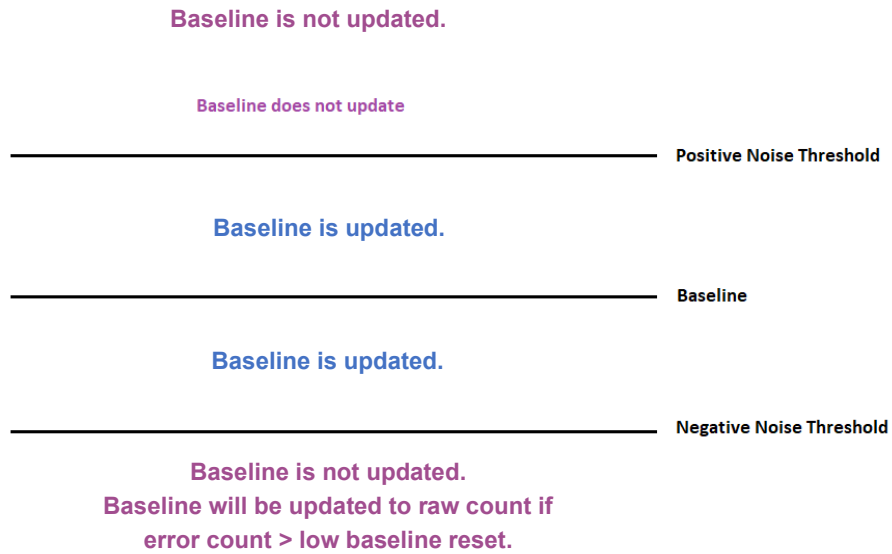


Figure 4: Baseline Process based on the difference between baseline and raw count

## Touch sense data identification

Ignore touch key scan if the signal exceeds the lock threshold.

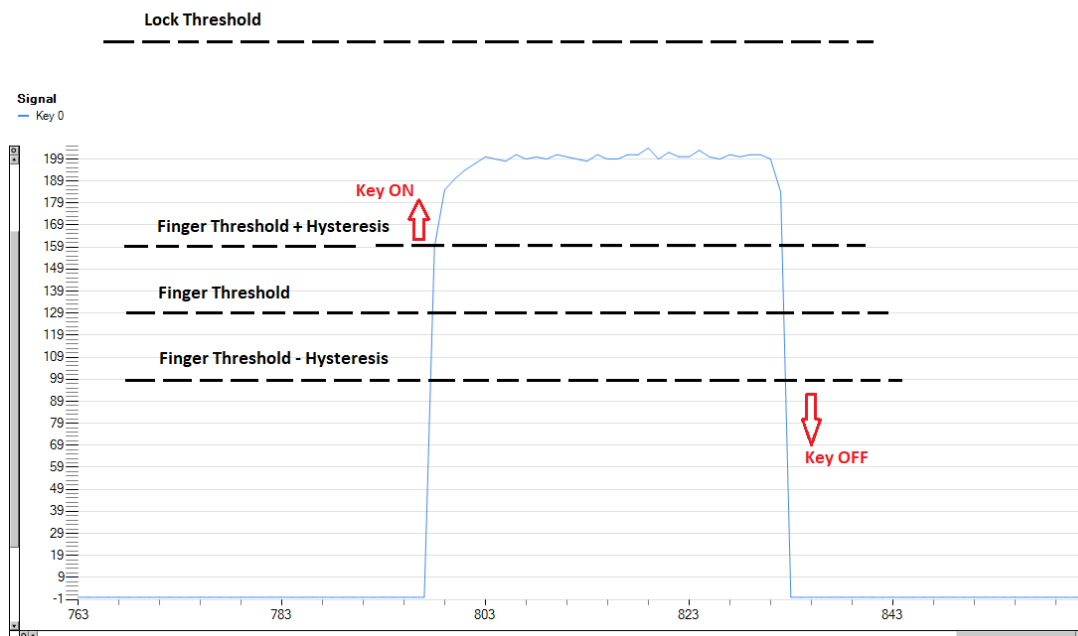


Figure 5: Touch Sense Data Identification

# IS32SE5120

## DETAILED DESCRIPTION

### I2C INTERFACE

S31SE5120 uses a serial bus, which conforms to the I2C protocol, to control the chip's functions with two wires: SCL and SDA. IS32SE5120 has a 7-bit slave address (A7:A1), followed by the R/W bit, A0. Set A0 "0" for a write command and set A0 "1" for a read command.

The complete slave address is:

Bit	A7:A1	A0
Value	0111100	1/0

The SCL line is uni-directional. The SDA line is bi-directional (open-collector) with a pull-up resistor (typically 4.7kΩ). The maximum clock frequency specified by the I2C standard is 400kHz. During communication, the microcontroller is the master and IS32SE5120 is the slave.

The timing diagram for the I2C is shown in Figure 6. The SDA is latched on the stable high level of the SCL. When there is no bus activity, the SDA line should be held high.

The "START" signal is generated by lowering the SDA signal while the SCL signal is high. The start signal will alert all devices attached to the I2C bus to check the incoming address against their own chip address.

The 8-bit chip address is sent next, and the most significant bit first. Each address bit must be stable while the SCL level is high.

After the last bit of the device address is sent, the master checks for "acknowledge" from IS32SE5120. The master releases the SDA line high (through a pull-up resistor). Then the master sends an SCL pulse. If IS32SE5120 has received the address correctly, then it holds the SDA line low during the SCL pulse. If the SDA line is not low, then the master should send a "STOP" signal (discussed later) and abort the transfer.

Following acknowledge of IS32SE5120, the register address byte is sent, and the most significant bit first. IS32SE5120 must generate another acknowledgment indicating that the registered address has been received.

Then 8-bit of data bytes are sent next, the most significant bit first. Each data bit should be valid while the SCL level is stable high. After the data byte is sent, IS32SE5120 must generate another acknowledgment to indicate that the data was received.

The "STOP" signal ends the transfer. To signal "STOP", the SDA signal goes high while the SCL signal is high.

### READ PORT REGISTERS

To read the device data, the bus master must first send the address of IS32SE5120 with the R/W bit set to "0", followed by the command byte, which determines which register is accessed. After a restart, the bus master must send IS32SE5120 address with the R/W bit set to "1". Data from the register defined by the command byte is sent from IS32SE5120 to the master (Figure 9).

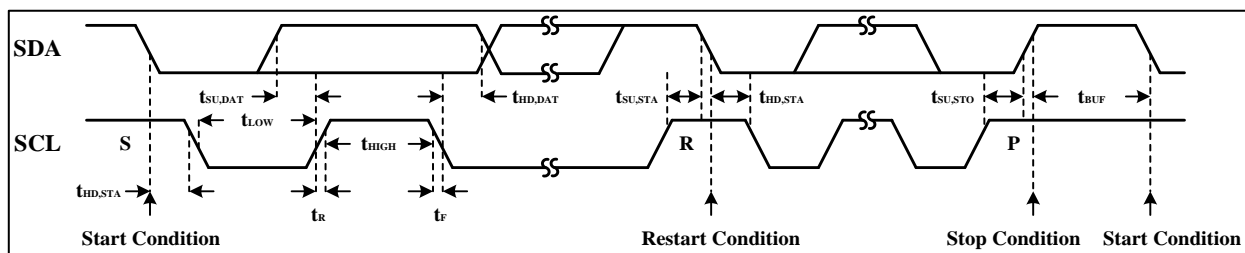
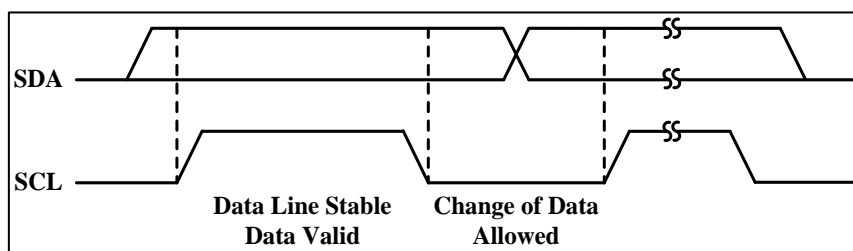


Figure 6: Interface Timing



# IS32SE5120

Figure 7: Bit Transfer

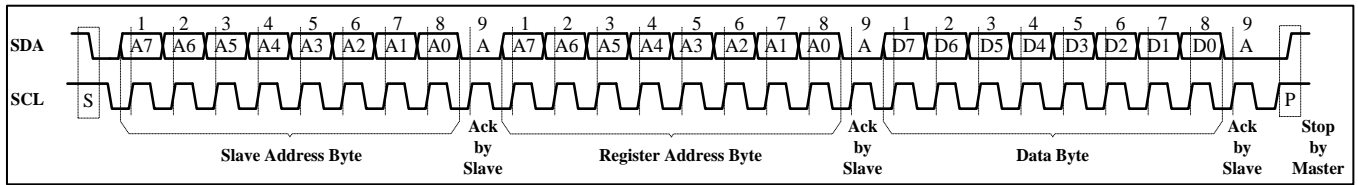


Figure 8: Writing to IS32SE5120

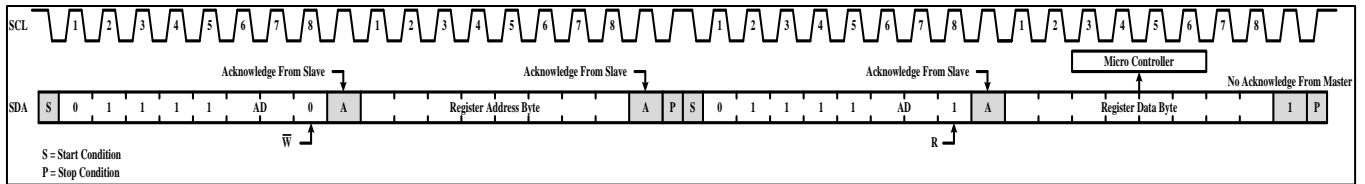


Figure 9: Reading from IS32SE5120

**Note:** Successive read or write protocol is supported.



# IS32SE5120

## REGISTER DEFINITION

### Page 0 Register list

Address	Name	Definition	R/W	Default
00h	Chip Part Number	Chip's part number	R	20h
01h-02h	Chip Version	Chip's version	R	-
03h	Firmware Version	Firmware version	R	20h
04h	Main Control	Management of system reset, power-saving, and parameters	W	00h
05h	Switch Page	Switch for Page 0 and Page 1	R/W	00h
06h-08h	Key Status	Key 0-Key 23 status bits	R	00h
09h	BM	Buzzer data or stop command	W	-
09h	BM	Available buzzer buffer size	R	0Ah
0Ah-21h	Key Signal	Key 0-Key 23 signal value	R	00h
22h-51h	Key Raw Count	Key 0-Key 23 raw count value	R	0000h
52h-81h	Key Baseline	Key 0-Key 23 baseline value	R	0000h
82h-99h	Key Finger Threshold	Key 0-Key 23 finger threshold setting	R/W	50h or 28h
9Ah-B1h	Key Noise Threshold	Key 0-Key 23 noise threshold setting	R/W	28h or 14h
B2h-C9h	Key Negative Noise Threshold	Key 0-Key 23 negative noise threshold setting	R/W	28h or 14h
CAh-E1h	Key Low Baseline Reset	Key 0-Key 23 low baseline reset setting	R/W	1Eh
E2h-F9h	Key Hysteresis	Key 0-Key 23 hysteresis setting	R/W	08h or 04h
FAh-FFh	Slider 1-2 status	3 slider status registers for each slider	R/W	FCh 80h, others 00h

### Page 1 Register list (extension memory)

Address	Name	Definition	R/W	Default
0100h	Chip Part Number	Chip's part number	R	20h
0101h-0102h	Chip Version	Chip's version	R	-

# IS32SE5120

0103h	Firmware Version	Firmware version	R	20h
0104h	Main Control	System reset, power-saving, and parameters management	W	00h
0105h	Switch Page	Switch for Page 0 and Page 1	R/W	00h
0106h-0108h	Key Status	Key 0-Key 23 status bits	R	00h
0109h	BM	Buzzer data or stop command	W	-
0109h	BM	Available buzzer buffer size	R	0Ah
10Ah-121h	Key ON Debounce	Key 0-Key 23 debounce setting	R/W	03h
122h-124h	Key Interrupt Enable	Key 0-Key 23 enables Interrupts associated with capacitive touch sensor inputs	R/W	00h
125h	Raw Count Filter	Raw count filter setting	R/W	00h
126h	Baseline IIR Ratio	Baseline IIR ratio setting	R/W	01h
127h-128h	Lock Threshold	Lock threshold setting	R/W	03E8h
129h	Lock Scan Cycle	Lock scan cycle setting	R/W	08h
12Ah	Raw Count Difference Limit	Raw count difference limit setting	R/W	64h
12Bh	Multiple Touch Key Configure	Multiple touch key function setting	R/W	03h
12Ch	Max Duration Time	Maximum duration time setting	R/W	1Ah
12Dh	Interrupt Configuration	Interrupt configuration	R/W	0Ah
12Eh	Interrupt Repeat Time	Repeat cycle for pressing key interrupt setting	R/W	00h
12Fh-131h	Key Pin Select	Select pins as Key0-Key23	R/W	000000h
132h-134h	Shield Pin Select	Select pin as a shield pin	R/W	000001h
135h-137h	INT Pin Select	Select pin as INT	R/W	000000h
138h-13Ah	Buzzer Pin Select	Select pin as a buzzer pin	R/W	002000h
13Bh-13Dh	POW Pin Select	Select pin as buzzer power	R/W	000000h
13Eh-140h	GPIO Pin Select	Sets the GPIO enable KEY0~KEY23	R/W	01C000h

# IS32SE5120

141h-143h	Slider 1 Pin Select	Max 8 keys	R/W	0000F Ch
144h-146h	Slider 2 Pin Select	Max 8 keys	R/W	000000 h
147h	TKIII Control register 1	Repeat sequence, initial setting delay, auto mode start delay, and low-frequency noise filter	R/W	13h
148h	TKIII Control register 2	Pseudo-random sequence setting	R/W	20h
149h	TKIII Control register 3	Multiple frequency scan/cycle count setting	R/W	03h
14Ah	TKIII CCHG	Internal charge capacitance setting	R/W	60h
14Bh	TKIII PUD	Pull-up current/ pull-up resistors setting	R/W	00h
14Ch	System Clock Select	System clock setting	R/W	00h
14Dh	Spread Spectrum	Spread spectrum setting	R/W	0Ch
14Eh	Auto Sleep Mode	Auto enter sleep mode time setting	R/W	0Fh
14Fh	Sleep Mode Control	Sleep mode control setting	R/W	00h
150h-152h	Wake Up Key Select	Select Key0~Key23 to exit sleep mode	R/W	000000 h
153h	Wake Up Threshold	Wake up threshold setting	R/W	08h
154h	TKIII Sleep Mode CCHG	Sleep mode internal charge capacitance setting	R/W	60h
155h	TKIII Sleep Mode PUD	Sleep mode pull-up current/ pull-up resistors setting	R/W	00h
156h-157h	SLP_RAW	Sleep mode raw count value	R	0000h
158h-159h	SLP_Baseline	Sleep mode baseline value	R	0000h
15Ah-15Fh	Reserved	Reserved	-	-
160h	Slider 1 Mapping	Slider 1 Key position	R/W	07h
161h	Slider 1 Mapping	Slider 1 Key position	R/W	06h
162h	Slider 1 Mapping	Slider 1 Key position	R/W	05h
163h	Slider 1 Mapping	Slider 1 Key position	R/W	04h
164h	Slider 1 Mapping	Slider 1 Key position	R/W	03h
165h	Slider 1 Mapping	Slider 1 Key position	R/W	02h
166h	Slider 1 Mapping	Slider 1 Key position	R/W	00h
167h	Slider 1 Mapping	Slider 1 Key position	R/W	00h

# IS32SE5120

168h-16Fh	Slider 2 Mapping	Slider 2 Key position	R/W	00h
170h-17Fh	Reserved	Reserved	-	-
180h-182h	GPIO Value	Sensing the GPIO values for KEY0 – KEY23	R/W	01C000h
183h-185h	GPIO Enable	Enable key for GPIO	R/W	00001Ch
186h	GPIO Mapping 1	Key to GPIO mapping	R/W	00h
187h	GPIO Mapping 2	Key to GPIO mapping	R/W	00h
188h	GPIO Mapping 3	Key to GPIO mapping	R/W	10h
189h	GPIO Mapping 4	Key to GPIO mapping	R/W	0Fh
18Ah	GPIO Mapping 5	Key to GPIO mapping	R/W	0Eh
18Bh-19Dh	GPIO Mapping 6-24	Key to GPIO mapping	R/W	00h
19Eh-1A0h	GPIO Toggle EN	Enable GPIO Toggle mode for KEY0 – KEY23	R/W	01C000h
1A1h	Key Scan Once	I2C control key scan	R/W	00h
1A2h	Table Ready Mark	Mark for flash data ready	R	00h

## 00h Chip Part Number Register (RO)

Bit	D7:D0
Name	CPN[7:0]
Default	0010 0000

### CPN Chip Part Number

Chip's part number 20h

## 01h Chip Version Register 1 (RO)

Bit	D7:D0
Name	CV1[7:0]
Default	-

### CV1 Chip Version information 1

## 02h Chip Version Register 2 (RO)

Bit	D7:D0
Name	CV2[7:0]
Default	-

### CV2 Chip Version information 2

CV1 & CV2 bytes contain chip revision. CV1 indicates the mask set version. CV2 indicates the minor version.

## 03h Firmware Version Register (RO)

Bit	D7:D0		
Name	FV1[2:0]	FV2[2:0]	FV3[1:0]
Default	001	000	00

### FV Firmware Version

Default version is 1.0.0

FV1[2:0] Major version

FV2[2:0] Minor version

FV3[1:0] Patch version

## 04h Main Control Register (WO)

Bit	D7	D6	D5	D4	D3	D2	D1	D0
Name	SR	RD	-	SP	SS	DW	DS	-
Default	0	0	0	0	0	0	0	0

### SR System Reset

1 System reset

# IS32SE5120

## RD Reset All Parameters to Manufacturer's Default Setting.

1 Reset all user-defined parameters to the manufacturer's default setting.

## SP Sleep Mode

1 Sleep mode

## SS Save User Defined Parameters

1 Save current parameters into flash.

## DW Deep Sleep Wake Up Reset Baseline

1 Reset touch key baseline after waking up from deep sleep mode.

## DS Deep Sleep Mode

1 Keep sleep until waking up by I2C SDA falling edge.

**Deep sleep mode will stop key scanning function and save more power consumption compared with the generic sleep mode.**

## 05h Switch Page (RW)

Bit	D7	D6	D5	D4	D3	D2	D1	D0
Name	-	-	-	-	-	-	-	FLAG
Default	0	0	0	0	0	0	0	0

FLAG=0 Page 0 (Address: 0x00~0xFF)

FLAG=1 Page 1 (Address: 0x100~0x1FF)

## 06h Key Status Register 1 (RO)

Bit	D7:D0
Name	KS[7:0]
Default	0000 0000

### KSx Key0~Key7 Status

If the key is detected as pressed, the corresponding bit (KSx) will be set to "1".

0 Not detected

1 Key is detected.

## 07h Key Status Register 2 (RO)

Bit	D7:D0
Name	KS[15:8]

Default	0000 0000
---------	-----------

### KSx Key8~Key15 Status

If the key is detected as pressed, the corresponding bit (KSx) will be set to "1".

0 Not detected

1 Key is detected.

## 08h Key Status Register 3 (RO)

Bit	D7:D0
Name	KS[23:16]
Default	0000 0000

### KSx Key16~Key23 Status

If the key is detected as pressed, the corresponding bit (KSx) will be set to "1".

0 Not detected

1 Key is detected.

## 09h Buzzer Register (W)

Bit	D7:D0
Name	BM[7:0]
Default	-

### BM Buzzer Register Write

Buzzer data or stop command

## 09h Buzzer Register (R)

Bit	D7:D0
Name	BM[7:0]
Default	0000 1010

### BM Buzzer Register Read

It shows the available tone buffer size. IS32SE5120 has 10 built-in note buffers.

## 0Ah~21h KEY0~KEY23 Signal Register (RO)

Bit	D7:D0
Name	KEYx_SIGNAL[7:0]
Default	0000 0000

### KEYx\_SIGNAL Key Signal Count

The difference between baseline and raw count.

The maximum value is 254. It will keep 254 if the value is over 254. Value 255 means noise existence.

# IS32SE5120

## 22h, 24h..., 4Eh, 50h KEY0~KEY23 Raw Count High Byte Register (RO)

Bit	D7:D0
Name	KEYx_RAWCOUNT[15:8]
Default	0000 0000

## 23h, 25h..., 4Fh, 51h KEY0~KEY23 Raw Count Low Byte Register (RO)

Bit	D7:D0
Name	KEYx_RAWCOUNT[7:0]
Default	0000 0000

### KEYx\_RAWCOUNT

Raw count of each key, provides an indication of the magnitude of the sensor's capacitance.

## 52h, 54h ..., 7Eh, 80h KEY0~KEY23 Baseline High Byte Register (RO)

Bit	D7:D0
Name	KEYx_BASELINE[15:8]
Default	0000 0000

## 53h, 55h ..., 7Fh, 81h KEY0~KEY23 Baseline Low Byte Register (RO)

Bit	D7:D0
Name	KEYx_BASELINE[7:0]
Default	0000 0000

### KEYx\_Baseline

Baseline of each key

## 82h~99h KEY0~KEY23 Finger Threshold Register (RW)

Bit	D7:D0
Name	KEYx_TH[7:0]
Default Key0~Key16	0010 1000
Default Key17~Key23	0101 0000

### KEYx\_TH

Finger threshold of each key. It is used with hysteresis to determine the key state.

## 9Ah~B1h KEY0~KEY23 Noise Threshold Register (RW)

Bit	D7:D0
-----	-------

Name	KEYx_NTH[7:0]
Default Key0~Key16	0001 0100
Default Key17~Key23	0010 1000

### KEYx\_NTH

Noise threshold of each key

Baseline needs to be updated if the difference (baseline and raw count) is less than the noise threshold.

## B2h~C9h KEY0~KEY23 Negative Noise Threshold Register (RW)

Bit	D7:D0
Name	KEYx_NNTH[7:0]
Default Key0~Key16	0001 0100
Default Key17~Key23	0010 1000

### KEYx\_NNTH

Negative noise threshold of each key.

## CAh~E1h KEY0~KEY23 Low Baseline Reset Register (RW)

Bit	D7:D0
Name	RCx[7:0]
Default	0001 1110

### RCx Reset Count

Low baseline reset count of each key. A reset count increases one if the absolute  $|raw\ count - baseline| > absolute\ |negative\ noise\ threshold|$ . Once the reset count exceeds the low baseline reset register value, the baseline is reset to the current raw count. The reset count will be reset to 0 if the absolute  $|raw\ count - baseline| \leq absolute\ |negative\ noise\ threshold|$ .

## E2h~F9h KEY0~KEY23 Hysteresis Register (RW)

Bit	D7:D0
Name	HYSTERESISx[7:0]
Default Key0~Key16	0000 0100
Default Key17~Key23	0000 1000

### HYSTERESISx

Hysteresis of each key

# IS32SE5120

## FAh Slider1 Status Register 1 (RO)

Bit	D7	D6:D0
Name	ACT	INIP
Default	0	0000000

**ACT** Slider is active  
 0 Disable slider  
 1 Enable slider

**INIP** Initial position

## FBh Slider1 Status Register 2 (RO)

Bit	D7	D6:D0
Name	DIR	ENDP
Default	0	0000000

**DIR** Direction of Slide1  
 0 Rotate to left  
 1 Rotate to right

**ENDP** End position of the slider

## FCh Slider1 Status Register 3 (RW)

Bit	D7	D6:D0
Name	STA	DUR
Default	1	0000000

**STA** Status of Slider1  
 0 Wheel  
 1 Slider  
 STA is the only bit for write.

**DUR** Duration  
 The duration between the initial position to the end position. Every DUR bit increase presents 0.1s.

## FDh Slider2 Status Register 1 (RO)

Bit	D7	D6:D0
Name	ACT	INIP
Default	0	0000000

**ACT** Slider2 is active  
 0 Disable slider  
 1 Enable slider

**INIP** Initial position

## FEh Slider2 Status Register 2 (RO)

Bit	D7	D6:D0
Name	DIR	ENDP
Default	0	0000000

**DIR** Direction of Slide2  
 0 Rotate to left  
 1 Rotate to right

**ENDP** End position of the slider

## FFh Slider2 Status Register 3 (RO)

Bit	D7	D6:D0
Name	STA	DUR
Default	0	0000000

**STA** Status of Slider2  
 0 Wheel  
 1 Slider

**DUR** Duration  
 The duration between initial position to end position. Every DUR bit increase presents 0.1s.

## Page 1 (For Expand Memory)

### 100h Chip Part Number Register (RO)

Bit	D7:D0
Name	CPN[7:0]
Default	0010 0000

**CPN** Chip Part Number  
 Chip's part number 20h

### 101h Chip Version Register 1 (RO)

Bit	D7:D0
Name	CV1[7:0]
Default	-

**CV1** Chip Version information 1

### 102h Chip Version Register 2 (RO)

Bit	D7:D0
Name	CV2[7:0]

# IS32SE5120

Default	-
---------	---

## CV2 Chip Version information 2

CV1 & CV2 bytes contain chip revision. CV1 indicates mask set version. CV2 indicates minor version.

## 103h Firmware Version Register (RO)

Bit	D7:D0		
Name	FV1[2:0]	FV2[2:0]	FV3[1:0]
Default	001	000	00

### FV Firmware Version

Default version is 1.0.0  
 FV1[2:0] Major version  
 FV2[2:0] Minor version  
 FV3[1:0] Patch version

## 104h Main Control Register (WO)

Bit	D7	D6	D5	D4	D3	D2	D1	D0
Name	SR	RD	-	SP	SS	DW	DS	-
Default	0	0	0	0	0	0	0	0

### SR System Reset

1 System reset

### RD Reset All Parameters to Manufacturer's Default Setting.

1 Reset all user-defined parameters to the manufacturer's default setting.

### SP Sleep Mode

1 Sleep mode

### SS Save User Defined Parameters

1 Save current parameters into flash.

### DW Deep Sleep Wake Up Reset Baseline

1 Reset touch key baseline after wakeup from deep sleep mode.

### DS Deep Sleep Mode

1 Keep sleep until waking up by I2C SDA falling edge.

**Deep sleep mode will stop key scanning function and save more power consumption compared with the generic sleep mode.**

## 105h Switch Page (RW)

Bit	D7	D6	D5	D4	D3	D2	D1	D0
Name	-	-	-	-	-	-	-	FLAG
Default	0	0	0	0	0	0	0	0

FLAG=0 Page 0 (Address: 0x00~0xFF)

FLAG=1 Page 1 (Address: 0x100~0x1FF)

## 106h Key Status Register 1 (RO)

Bit	D7:D0
Name	KS[7:0]
Default	0000 0000

### KSx Key0~Key7 Status

If the key is detected as pressed, the corresponding bit (KSx) will be set to "1".

0 Not detected

1 Key is detected.

## 107h Key Status Register 2 (RO)

Bit	D7:D0
Name	KS[15:8]
Default	0000 0000

### KSx Key8~Key15 Status

If the key is detected as pressed, the corresponding bit (KSx) will be set to "1".

0 Not detected

1 Key is detected.

## 108h Key Status Register 3 (RO)

Bit	D7:D0
Name	KS[7:0]
Default	0000 0000

### KSx Key16~Key23 Status

If the key is detected as pressed, the corresponding bit (KSx) will be set to "1".

0 Not detected

1 Key is detected.

## 109h Buzzer Register (W)

Bit	D7:D0
Name	BM[7:0]



# IS32SE5120

Default	-
---------	---

## BM Buzzer Register Write

Buzzer data or stop command

### 109h Buzzer Register (R)

Bit	D7:D0
Name	BM[7:0]
Default	0000 1010

## BM Buzzer Register Read

It shows the available tone buffer size. IS32SE5120 has 10 built-in note buffers.

### 10Ah~121h KEY0~KEY23 On Debounce Register (RW)

Bit	D7:D0
Name	DEBOUNCE <sub>x</sub> [7:0]
Default	0000 0011

## DEBOUNCE<sub>x</sub>

Debounce number of each key. When the acquired number > debounce setting value, then the key is granted as on.

### 122h~124h Key Interrupt Enable Register (RW)

Bit	D7:D0
Name	INTEN[7:0]
Default	0000 0000

The Interrupt Enable Register determines whether a key causes the interrupt pin to be asserted when it is detected touched with the key's interrupt enable bit set.

## INTEN Key Interrupt Enable

- 0 Disable
- 1 Enable

The default value for Interrupt Enable Registers is interrupt disable. Setting INE bit of Interrupt Configuration Register (12Dh) to "1", INTB pin will generate an interrupt signal.

### 125h Raw Count Filter Register (RW)

Bit	D7	D6	D5:D4	D3	D2:D1	D0
Name	MF	AF	IIR[1:0]	JF	JD[1:0]	-
Default	0	0	00	0	00	0

#### MF Median Filter

- 0 Disable
- 1 Enable

#### AF Average Filter

- 0 Disable
- 1 Enable

#### IIR IIR Filter

- 00 Disable
- 01 1/2
- 10 1/4
- 11 1/8

#### JF Jitter Filter

- 0 Disable
- 1 Enable

#### JD Jitter Delta

- 00 1
- 01 2
- 10 4
- 11 8

### 126h Baseline IIR Ratio Register (RW)

Bit	D7:D0
Name	RATIO[7:0]
Default	0000 0001

## RATIO

Range 1 ~ 255

### 127h Lock Threshold High Byte Register (RW)

Bit	D7:D0
Name	LT[15:8]
Default	0000 0011

### 128h Lock Threshold Low Byte Register (RW)

Bit	D7:D0
Name	LT[7:0]

# IS32SE5120

Default	1110 1000
---------	-----------

**LT Lock Threshold**

## 129h Lock Scan Cycle Register (RW)

Bit	D7:D0
Name	LSC[7:0]
Default	0000 1000

**LSC Lock Scan Cycle**

Ignore the key scan data for the setting Lock scan cycle if the |raw count – baseline| > Lock threshold.

## 12Ah Raw Count Difference Limit Register (RW)

Bit	D7:D0
Name	RCDL[7:0]
Default	0110 0100

**RCDL Raw Count Difference Limit**

Ignore the key scan data if the difference between the previous raw count and the current raw count exceeds the limit.

## 12Bh Multiple Touch Key Configure Register (RW)

Bit	D7:D2	D1:D0
Name	-	MTK[1:0]
Default	000000	11

**MTK Multiple Touch Key**

- 00 Allow all keys triggered at one time
- 01 Allow one key triggered at one time.
- 10 Allow two keys triggered at one time.
- 11 Allow three keys triggered at one time.

## 12Ch Max Duration Time Register (RW)

Bit	D7	D6	D5	D4	D3:D0
Name	-	-	-	MDEN	MDT[3:0]-
Default	0	0	0	1	1010

**MDEN Maximum Duration Time Enable**

- 0 Disable

1 Enable

**MDT Maximum Duration Time**

- 0000 0.5s
- 0001 1s
- 0010 2s
- 0011 3s
- 0100 4s
- 0101 5s
- 0110 6s
- 0111 7s
- 1000 8s
- 1001 9s
- 1010 10s
- 1011 11s
- 1100 12s
- 1101 13s
- 1110 14s
- 1111 15s

MDT bits set the pressed time. When the key pressed duration exceeds the programmed time (MDT), the device will be forced to calibrate the pressed key. Set MDEN to “1” will enable this function.

## 12Dh Interrupt Configuration Register (RW)

Bit	D7	D6:D4	D3	D2:D0
Name	INE	-	ACEN	ACT[2:0]
Default	0	000	1	010

**INE Interrupt Function Enable**

- 0 Disable
- 1 Enable

**ACEN Auto-Clear Interrupt Enable**

- 0 Disable
- 1 Enable

**ACT Auto-Clear Interrupt Time**

- 000 10ms
- 001 20ms
- 010 30ms
- 011 40ms
- 100 50ms
- 101 100ms
- 110 150ms
- 111 200ms

# IS32SE5120

When ACEN=0, the INT will keep low until the device's 06h or 07h register is read or the key is released. When ACEN=1, the INT will be released after the ACT setting time is expired even 06h or 07h register is not read or the key is still pressed.

Default	0000 0000
---------	-----------

## KS Key Pin Selection Setting

- 0 Disable
- 1 Enable

## 12Eh Interrupt Repeat Time Register (RW)

Bit	D7:D4	D3:D0
Name	-	INTRT[3:0]
Default	0000	0000

### INTRT Interrupt Repeat Time

0000	disable
0001	50ms
0010	100ms
0011	150ms
0100	200ms
0101	250ms
0110	300ms
0111	350ms
1000	400ms
1001	450ms
1010	500ms
1011	600ms
1100	700ms
1101	800ms
1110	900ms
1111	1s

After INTRT is set, a second interrupt will be generated after the interrupt repeat time is expired if there is a key keeping pressed.

## 12Fh~131h Key Pin Select Register (RW)

Bit	D7:D0
Name	KS[7:0]
Default	0000 0000

Bit	D7:D0
Name	KS[15:8]
Default	0000 0000

Bit	D7:D0
Name	KS[23:16]

## 132h~134h Shield Pin Select Register (RW)

Bit	D7:D0
Name	SHDE[7:0]
Default	0000 0001

Bit	D7:D0
Name	SHDE[15:8]
Default	0000 0000

Bit	D7:D0
Name	SHDE[23:16]
Default	0000 0000

### SHDE Shield Enable (default for SHDE[14])

- 0 Disable shield driver
- 1 Enable shield driver

## 135h~137h INT Pin Select Register (RW)

Bit	D7:D0
Name	IPS1[7:0]
Default	0000 0000

Bit	D7:D0
Name	IPS1[15:8]
Default	0000 0000

Bit	D7:D0
Name	IPS1[23:16]
Default	0000 0000

IS32SE5120 interrupt Pin has been fixed at Pin 16 INTB and it doesn't work to set INT Pin Select Register 135h, 136h, and 137h.

# IS32SE5120

## 138h~13Ah Buzzer Pin Select Register 1 (RW)

Bit	D7:D0
Name	BPS1[7:0]
Default	---- ----

Bit	D7:D0
Name	BPS2[7:0]
Default	-- 1 - ----

Bit	D7:D0
Name	BPS3[7:0]
Default	---- ----

### BPS1/2 Buzzer output Select 1/2

Enable BPS2[5] will set Pin15 as a Buzzer output pin.

BPS1[7:9] & BPS3[7:0] unused register bits.

## 13Bh Enable Buzzer Power Register 1 (RW)

Bit	D7:D0
Name	EBP1 [7:0]
Default	---- ----

## 13Ch Enable Buzzer Power Register 2 (RW)

Bit	D7:D0
Name	EBP2 [0]
Default	--- 1 ----

### EBP1/2 Buzzer Power Select 1/2

EBP1[7:0] unused register bits.

EBP2[4] maps to KEY12, write 1 will enable KEY12 as Buzzer Power. Setting other EBP2 bits doesn't work.

## 13Dh Enable Buzzer Power Register 3 (RW)

Bit	D7:D0
Name	EBP3 [7:0]
Default	---- ----

## 13Eh~140h GPIO Pin Select Register (RW)

Bit	D7:D0
Name	GPIO[7:0]
Default	0000 0000

Bit	D7:D0
Name	GPIO[15:8]
Default	1100 0000

Bit	D7:D0
Name	GPIO[23:16]
Default	0000 0001

## 141h~143h Slider1 Pin Select Register (RW)

Bit	D7:D0
Name	GPIO[7:0]
Default	1111 1100

Bit	D7:D0
Name	GPIO[15:8]
Default	0000 0000

Bit	D7:D0
Name	GPIO[23:16]
Default	0000 0000

## 144h~146h Slider2 Pin Select Register (RW)

Bit	D7:D0
Name	GPIO[7:0]
Default	0000 0000

Bit	D7:D0
Name	GPIO[15:8]
Default	0000 0000

Bit	D7:D0
-----	-------

# IS32SE5120

Name	GPIO[23:16]
Default	0000 0000

## 147h TKIII Control Register 1 (RW)

Bit	D7:D6	D5:D4	D3:D2	D1:D0
Name	RPT	INI	ASTDLY	LFNF
Default	00	01	00	11

### RPT Repeat Sequence Count

00	No repeat
01	Repeat 4 times
10	Repeat 8 times
11	Repeat 16 times

### INI Initial Setting Delay

INI[1-0] defines the number of TKCLK period for the initial settling of pin Cref. The delay is  $(INI[1-0] + 1) * 4 * TKCLK$ .

### ASTDLY Auto Mode Start Delay

ASTDLY[1-0] inserts an inter-sequence idle time of  $(ASTDLY[1-0] + 1) * 256 TKCLK$  at each sequence start. This delay allows the stabilization time from normal mode to sleep mode.

### LFNF Low-Frequency Noise Filter Setting

Low-Frequency Noise Filter Setting

00 Disable LFNE

If the scan count with noise injection detect is larger than  $(LFNF [1-0] * 8)$ , the scan result is ignored.

## 148h TKIII Control Register 2 (RW)

Bit	D3	D2:D1	D0
Name	-	-	-
Default	0	00	0

Bit	D7	D6	D5	D4
Name	-	-	PRS	-
Default	0	0	1	0

### PRS Pseudo-Random Sequence

0	Disable PRS
1	Enable PRS

## 149h TKIII Control Register 3 (RW)

Bit	D7:D4	D3	D2:D0
Name	-	MFEN	CCNT[2:0]
Default	0000	0	011

### MFEN Multiple Frequency Scan

0	Disable MF
1	Enable MF

### CCNT Cycle Count of Each Conversion Sequence

000	1024
001	2048
010	4096
011	8192
100	12288
101	16384
110	32768
111	65536

## 14Ah TKIII CCHG Register (RW)

Bit	D7:D5	D4:D0
Name	CCHG[2:0]	-
Default	011	00000

### CCHG Internal Reference Capacitance Select

000	10pF
001	20pF
010	30pF
011	40pF
100	50pF
101	60pF
110	70pF
111	80pF

## 14Bh TKIII PUD Register (RW)

Bit	D3:D0		
Name	PUD [3:0]		
Default	0000		

Bit	D7	D6	D5:D4
Name	PUDIEN	PUDREN	-
Default	0	00	00

TK3PUD is to configure a constant DC pull-up/pull-down on pin Cref to allow high capacitance touch-key

# IS32SE5120

detection. A DC pull-up/pull-down can compensate for the equivalent resistance which is caused by a high capacitance key. Connecting a constant current source or resistor can thus maintain touch key detection sensitivity. In general, we will try to maintain the raw count around half of CCNT for the case without key touch.

For DC current, PUD [3:0] enables 8uA/4uA/2uA/1uA current source. For Resistor, PUD [3-0] enables 5K/10K/20K/40K resistor

## PUDIEN Pull-up/Pull-down DC Current Enable

## PUDREN Pull-up/Pull-down DC Resistor Enable

<b>PUD</b>	<b>Pull up DC Current</b>
1000	Enable 8uA current source.
0100	Enable 4uA current source.
0010	Enable 2uA current source.
0001	Enable 1uA current source.

<b>PUD</b>	<b>Pull up Resistor</b>
1000	Enable 5K resistor source.
0100	Enable 10K resistor source.
0010	Enable 20K resistor source.
0001	Enable 40K resistor source.

## 14Ch System Clock Select Register (RW)

Bit	D7:D4	D3	D2:D0
Name	-	CLKS	OSCD[2:0]
Default	0000	0	000

### CLKS Clock Stretching (For I2C)

0	Disable stretching
1	Enable stretching

### OSCD Oscillator Division

000	1
001	2
010	4
011	8
100	16
101	32
110	64
111	128

The default setting is 1 for 16MHz system clock.

## 14Dh Spread Spectrum Register (RW)

Bit	D7:D2		
Name	SSR[3:0]	SSA[1:0]	-
Default	0000	11	-

### SS Spread Spectrum Setting

With spread spectrum technique, electromagnetic energy produced over a particular bandwidth is spread in the frequency domain, and that can reduce EMI. Two parameters are listed as follows:

**SSR [3:0]** Defines the spread spectrum sweep rate. If the SSR[3:0] =0, then spread spectrum is disabled.

**SSA [1:0]** Defines how to adjust the spread spectrum frequency bandwidth. The frequency is adjusted by adding SSA [1:0] range to the actual internal OSC control register.

<b>SSA [1:0]=11</b>	+/- 32
<b>SSA [1:0]=10</b>	+/- 16
<b>SSA [1:0]=01</b>	+/- 8
<b>SSA [1:0]=00</b>	+/- 4

## 14Eh Auto Sleep Mode Register (RW)

Bit	D3:D0		
Name	AST[3:0]-		
Default	1111		
Bit	D7	D6	D5:D4
Name	ASEN	-	BLMA[1:0]
Default	0	0	00

### ASEN Auto-SLEEP Enable

0	Disable
1	Enable

### BLMA Baseline moving average

The hardware baseline can be generated by the slow-moving average setting.

00	32 average
01	64 average
10	128 average
11	256 average

### AST Auto Sleep Time

0000	0.5s
------	------

# IS32SE5120

0001	1s
0010	1.5s
0011	2s
0100	2.5s
0101	3s
0110	3.5s
0111	4s
1000	4.5s
1001	5s
1010	6s
1011	7s
1100	8s
1101	9s
1110	10s

prevent the change of environment from stopping Key waking up the device.

00	2s
01	4s
10	8s
11	16s

## 14Fh Sleep Mode Control Register (RW)

Bit	D3:D2		D1:D0	
Name	T2[1:0]		T1[1:0]	
Default	00		00	
Bit	D7	D6	D5	D4
Name	-	PW	-	SC
Default	0	0	0	0

**PW Proximity Wakeup**  
**Disable:** wake up>>scan key once>>go to sleep again  
**Enable:** wake up>> generates INT signal (optional) >>go to sleep after Auto Sleep Time is expired if no key is detected.

0	Disable
1	Enable

### SC Sleep Calibration

0	Disable
1	Enable

### T2 Wake Up Period with Key Disable

The device will be woken up according to the T2 setting by polling the status of Key.

00	50ms
01	100ms
10	200ms
11	300ms

### T1 Wake Up Period with Key Enable

The device will be woken up according to the T1 setting to maintain the baseline to

## 150h~152h Wake Up Key Select Register (RW)

Bit	D7:D0
Name	WK[7:0]
Default	0000 0000

Bit	D7:D0
Name	WK[15:8]
Default	0000 0000

Bit	D7:D0
Name	WK[23:16]
Default	0000 0000

## WK Wakeup Key Select Setting

0	Disable
1	Enable

## 153h Wake Up Threshold Register (RW)

Bit	D7:D0
Name	WTH[7:0]
Default	0000 1000

Wake up threshold range from 0 to 255

## 154h TKIII Sleep Mode CCHG Register (RW)

Bit	D7:D5	D4:D0
Name	CCHG[2:0]	-
Default	011	00000

## CCHG Internal Reference Capacitance Select

000	10pF
001	20pF
010	30pF
011	40pF

# IS32SE5120

100	50pF
101	60pF
110	70pF
111	80pF

## 155h TKIII Sleep Mode PUD Register (RW)

Bit	D3:D0		
Name	PUD[3:0]		
Default	0000		
Bit	D7	D6	D5:D4
Name	PUDIEN	PUDREN	-
Default	0	0	00

TK3 PUD is to configure a constant DC pull-up/pull-down on pin Cref to allow high capacitance touch-key detection. A DC pull-up/pull-down can compensate for the equivalent resistance caused by a high capacitance key. Connecting a switching current source or resistor can thus maintain touch key detection sensitivity.

For DC current, PUD[3:0] can enable 8uA/4uA/2uA/1uA current source. For Resistor, PUD[3-0] can enable 5K/10K/20K/40K resistor

### PUDIEN Pull-up/Pull-down DC Current Enable

### PUDREN Pull-up/Pull-down DC Resistor Enable

#### PUD Pull up DC Current

1000	Enable 8uA current source.
0100	Enable 4uA current source.
0010	Enable 2uA current source.
0001	Enable 1uA current source.

#### PUD Pull up Resistor

1000	Enable 5K resistor source.
0100	Enable 10K resistor source.
0010	Enable 20K resistor source.
0001	Enable 40K resistor source.

## 156h Sleep Mode Raw Count Register 1 (RO)

Bit	D7:D0
Name	SLRC[15:8]
Default	0000 0000

## 157h Sleep Mode Raw Count Register 2 (RO)

Bit	D7:D0
Name	SLRC[7:0]
Default	0000 0000

**SLRC** Sleep Mode Raw Count  
Read-only. Value for reference

## 158h Sleep Mode Baseline Register 1 (RO)

Bit	D7:D0
Name	SLB[15:8]
Default	0000 0000

## 159h Sleep Mode Baseline Register 2 (RO)

Bit	D7:D0
Name	SLB[7:0]
Default	0000 0000

**SLB** Sleep Mode Baseline  
Read-only. Value for reference

## 15Ah-15Fh Reserved

Bit	D7:D0
Name	-
Default	---- ----

## 160h-167h Slider1 Map Register 1 (RW)

Bit	D7:D0
Name	S1Kx[7:0]
Default	xxxx xxxx

**S1Kx** Slider1 Keyx Map table  
Slider1 KEYx is mapped to Touch Key S1Kx[3:0]

## 168h-16Fh Slider2 Map Register (RW)

Bit	D7:D0
Name	S2Kx[7:0]
Default	0000 0000

**S2Kx** Slider2 Keyx Map table  
Slider2 KEYx is mapped to Touch Key S2Kx[7:0]



# IS32SE5120

## 170h – 177h Reserved

Bit	D7:D0
Name	-
Default	----

## 178h – 17Fh Reserved

Bit	D7:D0
Name	-
Default	----

## 180h GPIO Value Register 1 (R/W)

Bit	D7:D0
Name	GPV [7:0]
Default	0000 0000

## 181h GPIO Value Register 2 (R/W)

Bit	D7:D0
Name	GPV [15:8]
Default	1100 0000

## 182h GPIO Value Register 3 (R/W)

Bit	D7:D0
Name	GPV [23:16]
Default	0000 0001

### GPV GPIO Value

Define GPIO values

- 0 GPIO=0, when GPE is enabled.
- 1 GPIO=1, when GPE is enabled.

## 183h GPIO Enable Register 1 (R/W)

Bit	D7:D0
Name	GPE [7:0]
Default	0001 1100

## 184h GPIO Enable Register 2 (R/W)

Bit	D7:D0
Name	GPE [15:8]
Default	0000 0000

## 185h GPIO Enable Register 3 (R/W)

Bit	D7:D0
Name	GPE [23:16]

Default	0000 0000
---------	-----------

### GPE GPIO Enable

- 0 Disable GPIO function
- 1 Enable GPIO function

## 186h-19Dh GPIO Map Register (R/W)

Bit	D7:D0
Name	GMx [7:0]
Default	xxxx xxxx

**GMx [7:0]** Map touch key channel to GPIOx  
The variable x is used to express which touch key channel. GMx [7:0] shows which GPIO maps to the touch key channel.

## 19Eh GPIO Toggle Enable Register 1 (R/W)

Bit	D7:D0
Name	TOEN [7:0]
Default	0000 0000

## 19Fh GPIO Toggle Enable Register 2 (R/W)

Bit	D7:D0
Name	TOEN [15:8]
Default	1100 0000

## 1A0h GPIO Toggle Enable Register 3 (R/W)

Bit	D7:D0
Name	TOEN [23:16]
Default	0000 0001

### TOENx Enable GPIO Toggle Mode

- 0 Disable Touch Key channel to enter GPIO Toggle Mode.
- 1 Enable Touch Key channel to enter GPIO Toggle Mode.

## 1A1h Key Scan Once Register (RW)

Bit	D7:D2	D1	D0
Name	-	TR	EN
Default	0000	00	00

### TR

- Write 1 Trigger one scan
- Read 1 Busy
- Read 0 Data ready

# IS32SE5120

**EN Enable Key Scan Once**  
 0 Continuous scan of all enabled keys  
 1 Scan all enabled keys once

Default	0000 0000
---------	-----------

**MARK**  
 This register is used by the firmware to indicate parameters are correctly programmed.  
 Ready/Fail status  
 00 ready  
 Others not ready

## 1A2h Table Ready Mark Register (RO)

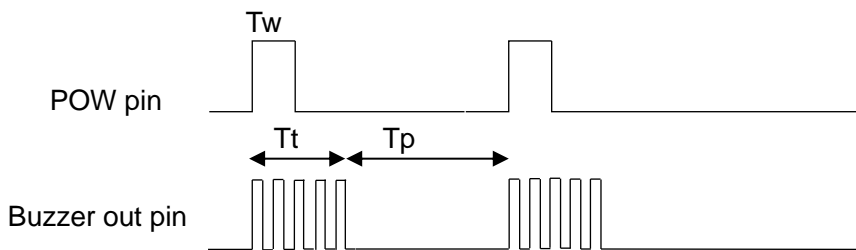
Bit	D7:D0
Name	MARK[7:0]

## BUZZER / MELODY APPLICATION

### 09h Buzzer/Melody Register (W)

Bit	D7:D0
Name	BM
Default	-

1st byte	2nd byte	3rd byte	4th byte
Scale ID	Tt	Tw	Tp



**Tt, Tw and Tp range from 0 to 255 @ 4ms step**

A Tone played duration is defined as Tt + Tp.

The support scale is from 3A to 8G#.

Frequencies for equal-tempered scale, A4 = 440 Hz "Middle C" is C4												
	3	freq	divisor	freq error	4	freq	divisor	freq error	5	freq	divisor	freq error
C					3	261.6	1911	0.01%	15	523.3	956	-0.05%
C#					4	277.2	1804	-0.01%	16	554.4	902	-0.01%
D					5	293.7	1703	-0.02%	17	587.3	851	0.04%
D#					6	311.1	1607	0.00%	18	622.3	804	-0.06%
E					7	329.6	1517	-0.01%	19	659.3	758	0.06%
F					8	349.2	1432	-0.02%	20	698.5	716	-0.02%

# IS32SE5120

F#					9	370.0	1351	0.03%	21	740.0	676	-0.05%
G					10	392.0	1276	-0.04%	22	784.0	638	-0.04%
G#					11	415.3	1204	-0.01%	23	830.6	602	-0.01%
A	0	220.0	2273	-0.01%	12	440.0	1136	0.03%	24	880.0	568	0.03%
A#	1	233.1	2145	0.01%	13	466.2	1073	-0.04%	25	932.3	536	0.05%
B	2	246.9	2025	-0.01%	14	493.9	1012	0.04%	26	987.8	506	0.04%

	6	freq	divisor	freq error	7	freq	divisor	freq error	8	freq	divisor	freq error
C	27	1046.5	478	-0.05%	39	2093.0	239	-0.05%	51	4186.0	119	0.37%
C#	28	1108.7	451	-0.01%	40	2217.5	225	0.21%	52	4434.9	113	-0.23%
D	29	1174.7	426	-0.08%	41	2349.3	213	-0.08%	53	4698.6	106	0.39%
D#	30	1244.5	402	-0.06%	42	2489.0	201	-0.06%	54	4978.0	100	0.44%
E	31	1318.5	379	0.06%	43	2637.0	190	-0.21%	55	5274.0	95	-0.21%
F	32	1396.9	358	-0.02%	44	2793.8	179	-0.02%	56	5587.7	89	0.54%
F#	33	1480.0	338	-0.05%	45	2960.0	169	-0.05%	57	5919.9	84	0.55%
G	34	1568.0	319	-0.04%	46	3136.0	159	0.28%	58	6271.9	80	-0.35%
G#	35	1661.2	301	-0.01%	47	3322.4	150	0.33%	59	6644.9	75	0.33%
A	36	1760.0	284	0.03%	48	3520.0	142	0.03%				
A#	37	1864.7	268	0.05%	49	3729.3	134	0.05%				
B	38	1975.5	253	0.04%	50	3951.1	127	-0.36%				

Scale ID(Sid): 0 is 3A, 1 is 3A#, 2 is 3B ....

### 09h Buzzer/Melody Register (W)

Bit	D7:D0
Name	BM
Default	-

Clear Melody buffer and stop play.

### 09h Buzzer/Melody Register (R)

Bit	D7:D0
Name	BM
Default	0000 1010

**BM Buzzer/Melody Register Read.** It shows the available tone buffer size. IS32SE5120 has 10 built-in note buffers.

I2C command format - Each note is composed of 4-byte data, and the incomplete note will be ignored. The incoming note data will be ignored if the FIFO is full.

# IS32SE5120

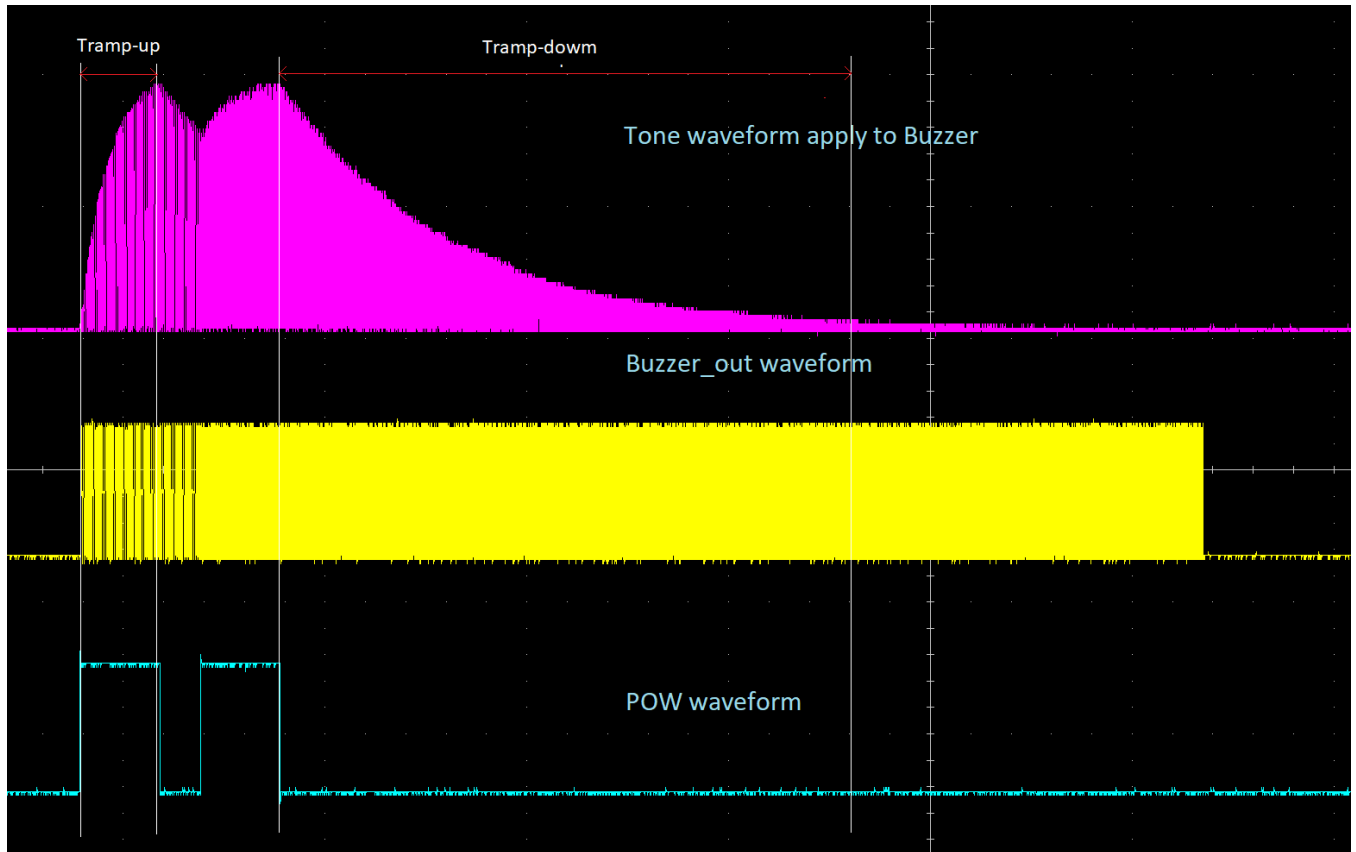
0x78, 0x09, (Sid, Tt, Tw, Tp), (Sid, Tt, Tw, Tp), ....

0x78, 0x09, 0xFF stop the melody play and clear the FIFO

0x78, 0x09 Set the register number to 0xF0

0x79 Read FIFO remaining length

Reference schematic and tone waveform are introduced as follows:



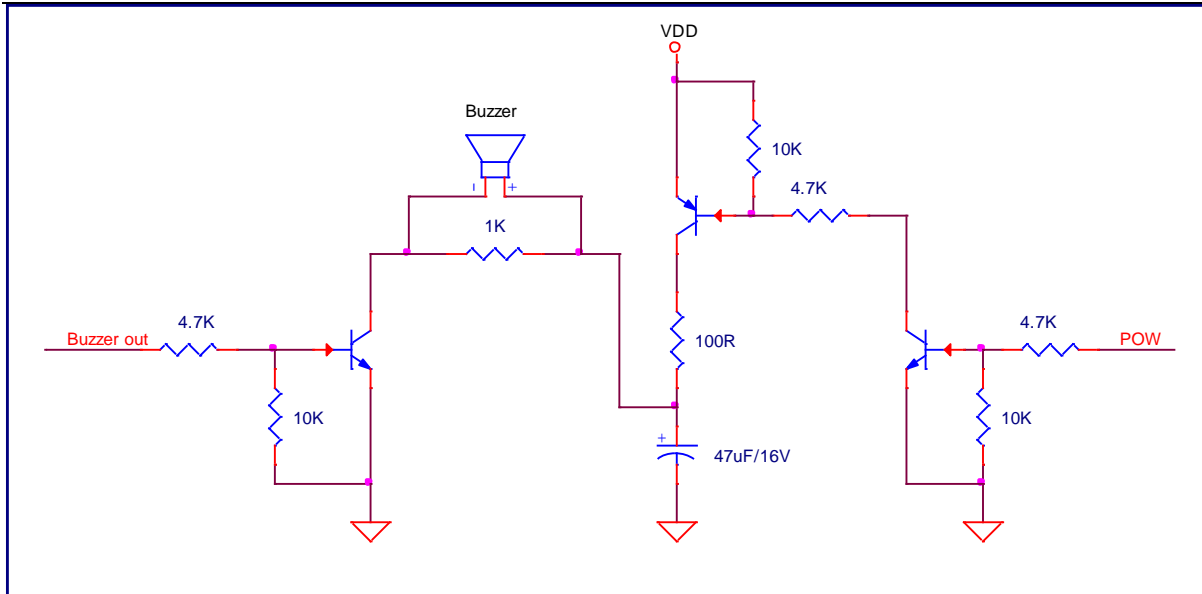
**Figure 10: Buzzer/ Melody waveform example**

**Note:**

**T<sub>ramp-up</sub>** : 100R as below figure 11 decides the signal ramp-up rate.

**T<sub>ramp-down</sub>**: The signal ramps down because POW is low and 47uF capacitor as below figure 11 decides the ramp-down rate.

# IS32SE5120



**Figure 11: Typical application circuit for Melody**

# IS32SE5120

---

## TYPICAL APPLICATION INFORMATION

The IS32SE5120 is an ultra-low-power, fully integrated 24-channel solution for capacitive touch-buttons applications. The chip allows electrodes to project sense fields through any dielectric material such as glass or plastic.

### SENSITIVITY ADJUSTING

Sensitivity can be adjusted by the external capacitor or internal register.

A higher capacitor value will yield lower detection sensitivity. A lower capacitor value will yield higher detection sensitivity.

## INTERRUPT

Touch key detection event will trigger the INTB pin. The INTB pin will be driven to low when the selected channel is pressed or released.

### Sleep Mode

IS32SE5120 can be put in sleep mode to save power consumption and the device can be woken up by touching the selected keys. For the detailed application, please refer Lumissil application note “**How to program SE5117\_SE5118\_SE5120 into auto sleep mode?**”. We also provide a sample code for this application.

# IS32SE5120

## CLASSIFICATION REFLOW PROFILE

Profile Feature	Pb-Free Assembly
<b>Preheat &amp; Soak</b>	
Temperature min (T <sub>smin</sub> )	150°C
Temperature max (T <sub>smax</sub> )	200°C
Time (T <sub>smin</sub> to T <sub>smax</sub> ) (t <sub>s</sub> )	60-120 seconds
Average ramp-up rate (T <sub>smax</sub> to T <sub>p</sub> )	3°C/second max.
Liquidous temperature (T <sub>L</sub> )	217°C
Time at liquidous (t <sub>L</sub> )	60-150 seconds
Peak package body temperature (T <sub>p</sub> )*	Max 260°C
Time (t <sub>p</sub> )** within 5°C of the specified classification temperature (T <sub>c</sub> )	Max 30 seconds
Average ramp-down rate (T <sub>p</sub> to T <sub>smax</sub> )	6°C/second max.
Time 25°C to peak	8 minutes max.

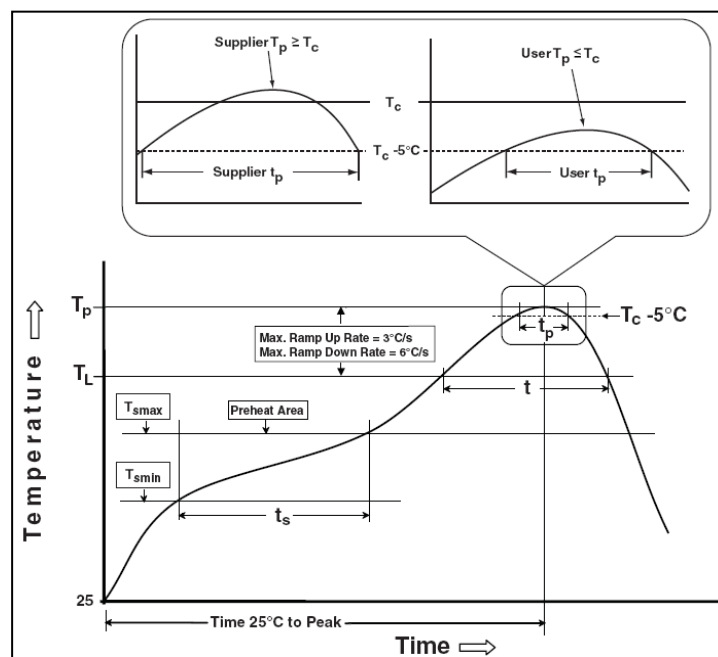
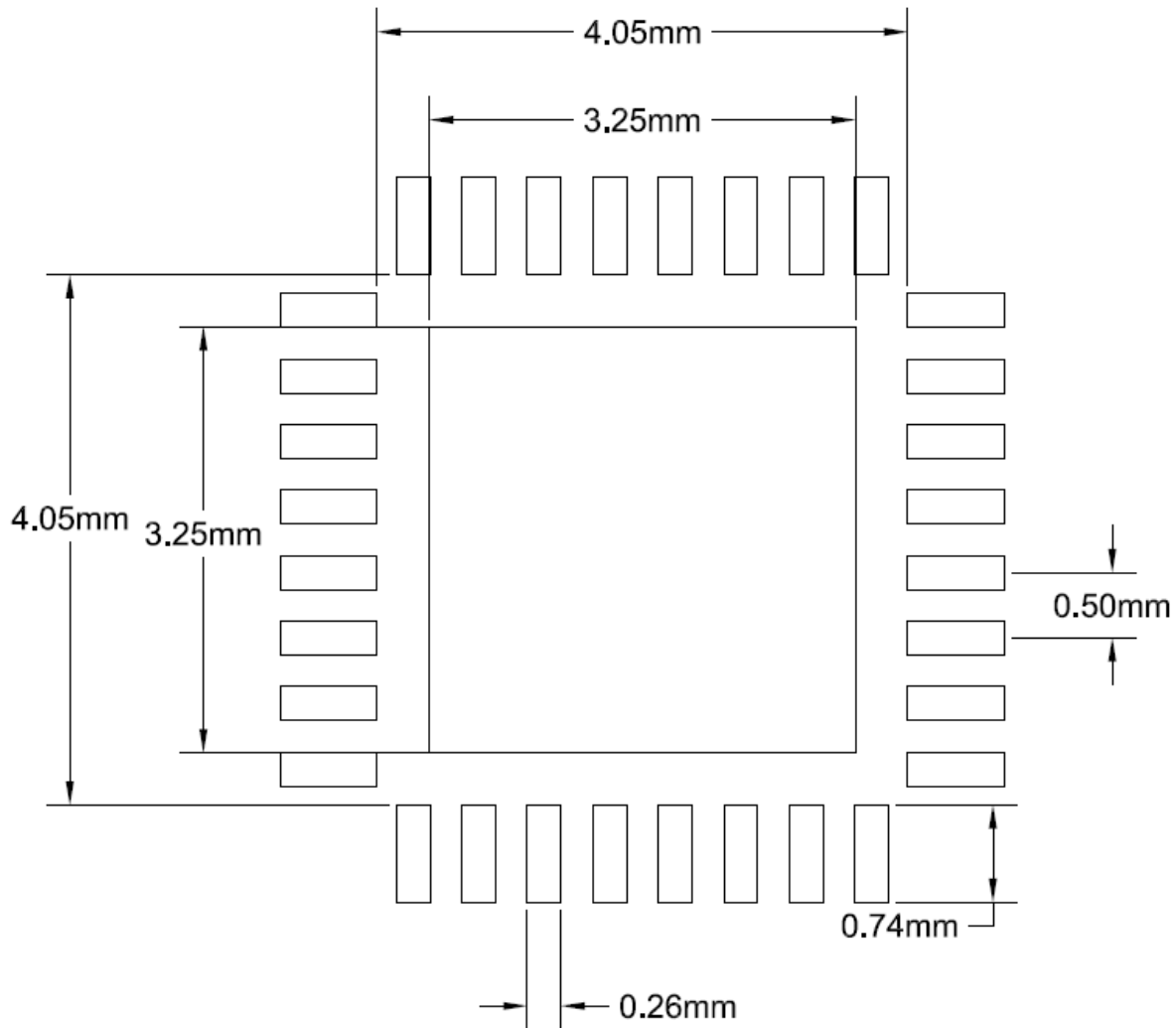


Figure 12: Classification Profile

# IS32SE5120

32-pin WQFN

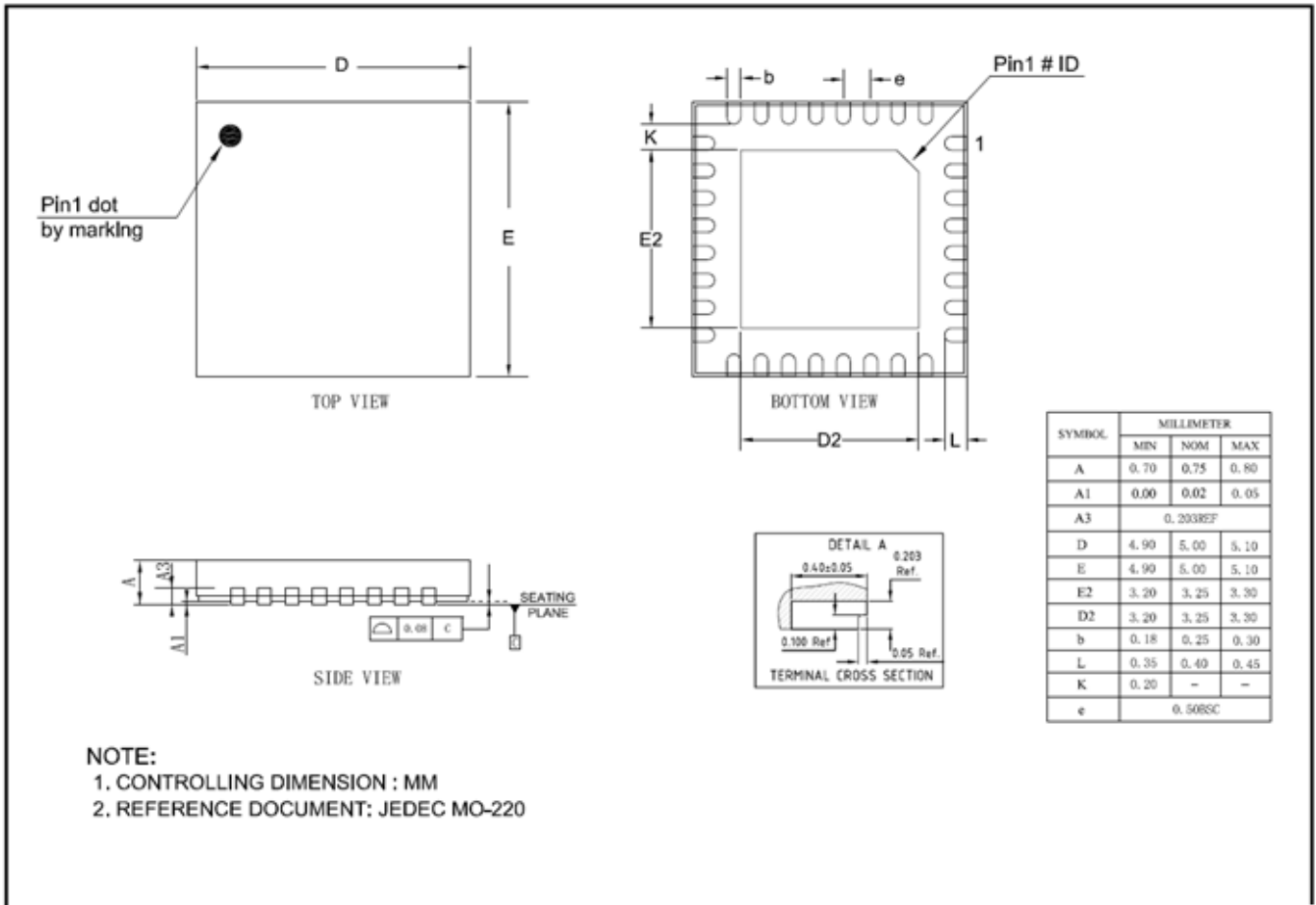
RECOMMENDED LAND PATTERN





# IS32SE5120

POD



## REVISION HISTORY

Revision	Detailed Information	Date
A	First formal release	2022.07.20
B	1. Add support for proximity sensing 2. Add "Halogen-Free compliant" claim for product features	2022.09.28