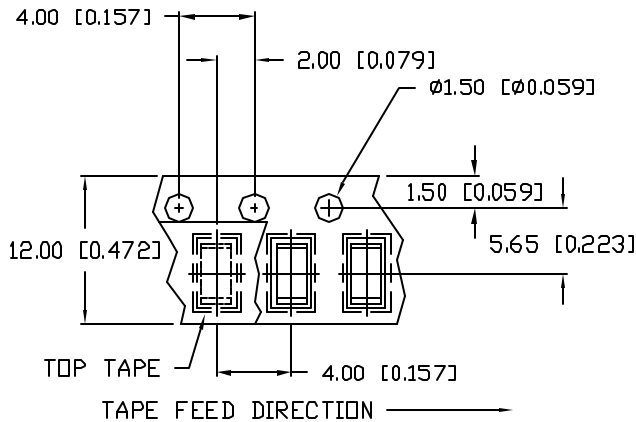


ELECTRICAL SPECIFICATIONS

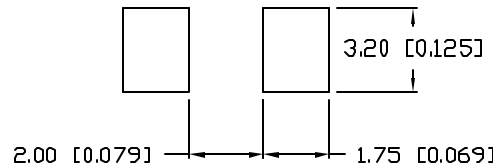
| PARAMETER | VALUE | TEST CONDITION |
|------------------------------|-------------------------|------------------|
| D.C. FIRING VOLTAGE: | 400V±20% D.C. | (dv/dt 100V/5) |
| IMPULSE CURRENT: | 2KA MAX. | (8/20μS) |
| A.C. DISCHARGE CURRENT: | 2A | (50Hz, 9 CYCLES) |
| INSULATION RESISTANCE: | 10 ⁴ MΩ MIN. | 50 VDC |
| INTER-ELECTRODE CAPACITANCE: | 1.0 PF MAX. | 1.0kHz |

ENVIRONMENTAL SPECIFICATIONS PER MIL-STD 202

| TEST | METHODE | CONDITION | RATING |
|----------------------|---------|-----------|----------------|
| VIBRATION TESTING: | 204B | C | 10-55HZ, 0.6DA |
| SHOCK | 213A | C | 100G |
| HUMIDITY: | 103B | B | 95%RE.HUMIDITY |
| TEMPERATURE CYCLING: | 102A | C | -65 TO +125 °C |
| BAROMETRIC PRESSURE: | 105C | B | 50,000FT. |
| THERMAL SHOCK: | 107 | B | -65 TO +125 °C |
| SOLDERABILITY: | 20B | B | |



RECOMMENDED SOLDER PAD LAYOUT



NOTES:

1. 500 PIECES PER REEL.

*UNLESS OTHERWISE SPECIFIED TOLERANCES PER DECIMAL PRECISION ARE: X=±1 (±0.038), XX=±0.5 (±0.020), XXX=±0.25 (±0.010), XXXX=±0.127 (±0.005). LEAD SIZE=±0.05 (±0.002), LEAD LENGTH=±0.75 (±0.030). MIN= +DECIMAL PRECISION -0.00, MAX= +0.00 -DECIMAL PRECISION

REV. PART NUMBER
GT-SMD181240022-TR

3.2 x 4.5mm SURFACE MOUNT SURGE,
ARRESTOR, 400V.

CONFIDENTIAL INFORMATION
THE INFORMATION CONTAINED IN THIS DOCUMENT IS THE PROPERTY OF LUMEX INC. EXCEPT AS SPECIFICALLY AUTHORIZED IN WRITING BY LUMEX INC., THE HOLDER OF THIS DOCUMENT SHALL KEEP ALL INFORMATION CONTAINED HEREIN CONFIDENTIAL AND SHALL PROTECT SAME IN WHOLE OR IN PART FROM DISCLOSURE AND DISSEMINATION TO ALL THIRD PARTIES.

RELIABILITY NOTE
OUR MANY YEARS OF EXPERIENCE DATA ACCUMULATION INDICATE THAT SOLDER HEAT IS A MAJOR CAUSE OF EARLY AND FUTURE FAILURE. PLEASE PAY ATTENTION TO YOUR SOLDERING PROCESS.



290 E. HELEN ROAD
PALATINE, IL 60067-6976
PHONE: +1.847.359.2790
US WEB: www.lumex.com
TW WEB: www.lumex.com.tw

DRAWN BY: CHECKED BY: APPROVED BY: DATE: 11.08.04
PAGE: 1 OF 1
SCALE: N/A