

CONTACT POSITION FRONT VIEW  
FEMALE MALE

POLE	FEMALE PIN	FEMALE WIRE	MALE PIN	MALE WIRE
3 POLE	1	BROWN	1	BROWN
	3	BLUE	3	BLUE
	4	BLACK	4	BLACK
4 POLE	1	BROWN	1	BROWN
	2	WHITE	2	WHITE
	3	BLUE	3	BLUE
	4	BLACK	4	BLACK
5 POLE	1	BROWN	1	BROWN
	2	WHITE	2	WHITE
	3	BLUE	3	BLUE
	4	BLACK	4	BLACK
	5	GREY	5	GREY
8 POLE	1	WHITE	1	WHITE
	2	BROWN	2	BROWN
	3	GREEN	3	GREEN
	4	YELLOW	4	YELLOW
	5	GRAY	5	GRAY
	6	PINK	6	PINK
	7	BLUE	7	BLUE
	8	RED	8	RED

ENGINEERING No -NUMERICAL CODE  
(Available parts see PART LIST table. Other parts available upon request.)

8 8 X S 3 0 B S X M X X X H

88 = M12x1  
DOUBLE ENDED

POLES:  
3 = 3 POLES  
4 = 4 POLES  
5 = 5 POLES  
8 = 8 POLES

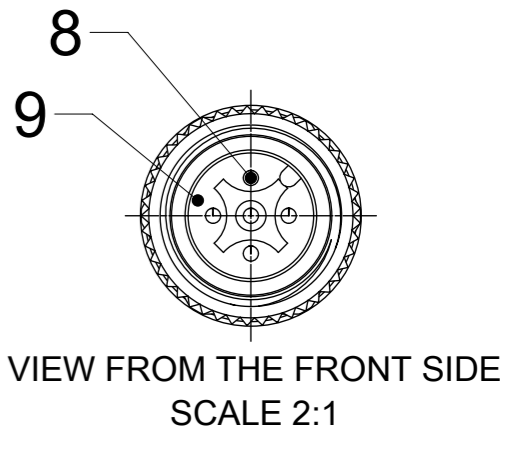
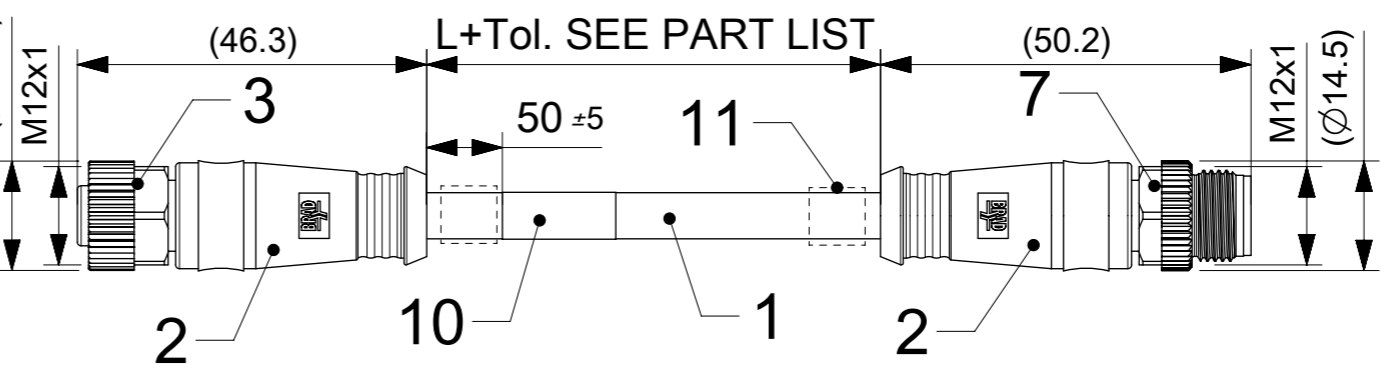
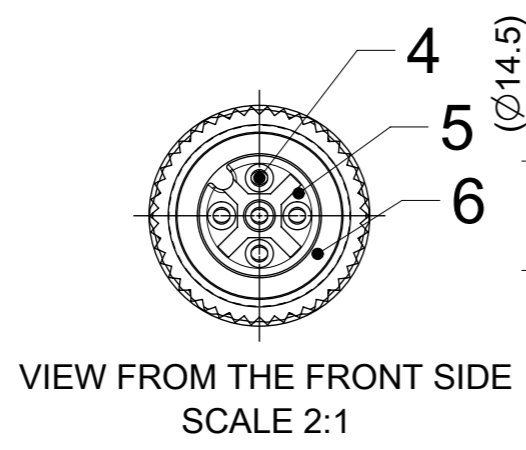
HEADER:  
S30 = FEMALE STRAIGHT - MALE STRAIGHT

CABLE TYPE:  
BS1= 0.34mm<sup>2</sup> TPU, SHLD BK  
BS2= 0.25mm<sup>2</sup> TPU, SHLD BK

UNIT:  
M = METER

LENGTH:  
EXAMPLE:  
010 = 1 m  
050 = 5 m  
100 = 10 m

H=2x ID CARRIER  
  
COUPLING NUT:  
BLANK = KNU/HEX  
7 = TEFLON KNU  
  
OVERMOULD:  
BLANK = BLACK  
A = GREY  
G = BLACK  
Y = YELLOW



NOTES:  
  
CONTACT CURRENT RATING:  
3-5 POLES 4A  
8 POLES 2A  
VOLTAGE RATING  
3-4 POLES 250V  
5 POLES 60V  
8 POLES 30V  
PROTECTION CLASS IP67

SHIELD CONNECTED TO  
THE COUPLING NUT FROM BOTH SIDE

FUNCTIONAL SYMBOLS	THIS DRAWING CONTAINS INFORMATION THAT IS PROPRIETARY TO MOLEX ELECTRONIC TECHNOLOGIES, LLC AND SHOULD NOT BE USED WITHOUT WRITTEN PERMISSION		CURRENT REV DESC:		<b>molex</b>
	mm	1:1			
DIVISIONAL SYMBOLS	GENERAL TOLERANCES (UNLESS SPECIFIED)		EC NO: 648162		CSE M12 M12 XP AC FE STR WSOR MA STR XM
	ANGULAR TOL ± °		DRWN: ASZELAG 2020/10/27		
4 PLACES ±		CHK'D: MKOWALCZYK01 2020/10/30		PRODUCT CUSTOMER DRAWING	
3 PLACES ±		APPR: DSTACHOWIAK 2020/10/30		DOCUMENT NUMBER	
2 PLACES ±		INITIAL REVISION:		1200698654	
1 PLACE ±		DRWN: AKONDRACIUK 2016/10/26		DOC TYPE DOC PART REVISION	
0 PLACES ±		APPR: MIWASIECZKO 2016/10/27		PSD 00P A8	
DRAFT WHERE APPLICABLE MUST REMAIN WITHIN DIMENSIONS		THIRD ANGLE PROJECTION	DRAWING	SERIES	MATERIAL NUMBER
			A3-SIZE	120069	CUSTOMER
					SEE SHEET 2
					GENERAL MARKET
					SHEET NUMBER
					1 OF 2

# PART LIST

MOLEX PN	ENGINEERING No	L+Tol. [mm]
1200698644	883S30BS1M010	1000 +40
1200698645	883S30BS1M020	2000 +60
1200698646	883S30BS1M030	3000 +60
1200698647	883S30BS1M050	5000 +60
1200698648	883S30BS1M100	10000 +80

MOLEX PN	ENGINEERING No	L+Tol. [mm]
1200698649	884S30BS1M010	1000 +40
1200698650	884S30BS1M020	2000 +60
1200699353	884S30BS1M025	2500 +60
1200698651	884S30BS1M030	3000 +60
1200698652	884S30BS1M050	5000 +60
1200698653	884S30BS1M100	10000 +80

MOLEX PN	ENGINEERING No	L+Tol. [mm]
1200699539	885S30BS1M005	500 +40
1200698654	885S30BS1M010	1000 +40
1200698757	885S30BS1M015	1500 +60
1200698655	885S30BS1M020	2000 +60
1200698656	885S30BS1M030	3000 +60
1200698758	885S30BS1M040	4000 +60
1200698657	885S30BS1M050	5000 +60
1200698658	885S30BS1M100	10000 +80
1200699482	885S30BS1M100H	10000 +80
1200699061	885S30BS1M200	20000 +140
1200699483	885S30BS1M200H	20000 +140
1200699762	885S30BS1M030H	3000 +60
1200699763	885S30BS1M150H	15000 +140
1200699764	885S30BS1M300H	30000 +160

MOLEX PN	ENGINEERING No	L+Tol. [mm]
1200698659	888S30BS2M010	1000 +40
1200698835	888S30BS2M015	1500 +60
1200698660	888S30BS2M020	2000 +60
1200698836	888S30BS2M025	2500 +60
1200698661	888S30BS2M030	3000 +60
1200698837	888S30BS2M040	4000 +60
1200698662	888S30BS2M050	5000 +60
1200698848	888S30BS2M060	6000 +80
1200698663	888S30BS2M100	10000 +80
1200698998	888S30BS2M150	15000 +140
1200699394	888S30BS2M200	20000 +140
1200699600	888S30BS2M500	50000 +500
1200699754	888S30BS2M300	30000 +160

## CABLE SPECIFICATION

CABLE TYPE	WIRE GAUGE	CABLE JACKET	UL	CSA	static	flexing	drag chain tested	shield	other
BS1 3P,4P,5P	0.34mm <sup>2</sup>	TPU black	STYLE 21215	yes	-40°C to +90°C 5xD	-25°C to +80°C 7.5xD	5 mio cycles	braid	WELD SLAG RESISTANCE
BS2 8P	0.25mm <sup>2</sup>								

For Raw Cable Specification see SD-120209-003

## BOM

11	2	ID CARRIER (SEE MATRIX)	PVC	-
10	1	LABEL YE	VINYL	-
9	1	INSERT XP MA M12 SH BK	PUR	-
8	X	CONTACT MA	BRASS	GOLD OVER Ni-PLATED
7	1	KNU/HEX NUT M12 MA	BRASS	Ni-PLATED
6	1	GASKET RD	FPM	-
5	1	INSERT XP FE M12 SH BK	PUR	-
4	X	CONTACT FE	BRASS	GOLD OVER Ni-PLATED
3	1	KNU/HEX NUT M12 FE	BRASS	Ni-PLATED
2	-	OVERMOULD BK	TPU	-
1	-	CABLE	SEE SHEET 2	-
ITEM	QTY.	DESCRIPTION	MATERIAL	FINISH

Over	Up to and including	Tolerance
0	1000	+40 0
1000	5000	+60 0
5000	10000	+80 0
10000	20000	+140 0
20000	30000	+160 0
30000	>	+1% of length

FUNCTIONAL SYMBOLS	THIS DRAWING CONTAINS INFORMATION THAT IS PROPRIETARY TO MOLEX ELECTRONIC TECHNOLOGIES, LLC AND SHOULD NOT BE USED WITHOUT WRITTEN PERMISSION	
$\sqrt{A}$ = 0 $\sqrt{E}$ = 0 $\sqrt{V}$ = 0	DIMENSION UNITS: <b>mm</b> SCALE: <b>1:1</b>	CURRENT REV DESC: EC NO: 648162 DRWN: ASZELAG 2020/10/27 CHK'D: MKOWALCZYK01 2020/10/30 APPR: DSTACHOWIAK 2020/10/30
DIVISIONAL SYMBOLS	GENERAL TOLERANCES (UNLESS SPECIFIED) ANGULAR TOL ± ° 4 PLACES ± 3 PLACES ± 2 PLACES ± 1 PLACE ± 0 PLACES ±	PRODUCT CUSTOMER DRAWING DOCUMENT NUMBER: <b>1200698654</b> DOC TYPE: PSD DOC PART: 00P REVISION: <b>A8</b>
DRAFT WHERE APPLICABLE MUST REMAIN WITHIN DIMENSIONS	THIRD ANGLE PROJECTION	DRAWING: <b>A3-SIZE</b> SERIES: <b>120069</b> MATERIAL NUMBER: <b>SEE PART LIST</b> CUSTOMER: <b>GENERAL MARKET</b> SHEET NUMBER: <b>2 OF 2</b>